



# Drop-In Cooktops

FFGC3625L S/W/B

36" Gas



### Product Dimensions

Width	36"
Depth	21-3/4"
Height	4-1/4"

### More Easy-To-Use Features

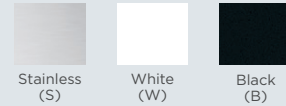
**Color-Coordinated Control Knobs**  
White and Black cooktops come with matching knobs — while Stainless Steel models feature our neutral black knobs.

**Electronic Pilotless Ignition**  
Saves energy and can be ignited manually when electricity is out.

**Porcelain Cooktop Grates**  
Grates are durable and easy to clean.

### LP Gas Conversion Option

Available in:



Burners	BTU
Right Front	9,500
Right Rear	5,000
Left Front	9,500
Left Rear	9,500
Center XtraZone Burner	15,000

*¹Select models only.*

## Signature Features

### Ready-Select® Controls

Select options or control cooking temperature with our easy-to-use controls.

### Sealed Gas Burners

Enjoy easier cleanup and a burner that stays looking great.

### Quick Boil

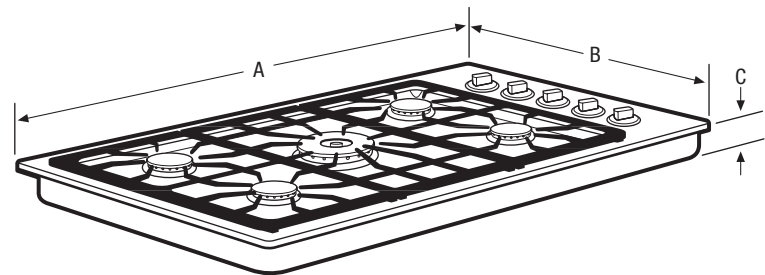
Boil water faster with our 15,000 BTU burner.

### Durable Stainless Steel Cooktop<sup>1</sup>

A premium look that stands up to everyday use.

Features	
Controls	Ready-Select®
Surface Type	Deep-Well Stainless Steel (S), Deep-Well Color-Coordinated Porcelain (W/B)
Sealed Gas Burners	Yes
Grates	Continuous Cast Iron with Black Matte Finish
Right Front Element (BTU)	9,500
Right Rear Element (BTU)	5,000
Left Front Element (BTU)	9,500
Left Rear Element (BTU)	9,500
Center XtraZone Burner (BTU)	15,000
Control Location	Right Side
Knob Color	Black (S), Color-Coordinated (W/B)
Knob Type	Plastic
Bowl Type	Black (S), Color-Coordinated (W/B)
Specifications	
Power Supply Connection Location	Right Rear
Gas Supply Connection Location	Right Rear
LP Gas Conversion Kit	Included
Voltage Rating	120V / 60V / 15A
Connected Load (kW Rating) @ 120 Volts <sup>1</sup>	.8
Amps @ 120 Volts	1.0
Minimum Circuit Required (Amps)	15
Approved for Electric Single Wall Oven Combination Installation	
Shipping Weight (Approx.)	60 Lbs.

<sup>1</sup>For use on adequately wired 120V, dedicated circuit having 2-wire service with a separate ground wire. Appliance must be grounded for safe operation.



NOTE: Always consult local and national electric and gas codes. Refer to Product Installation Guide for detailed installation instructions on the web at [frigidaire.com](http://frigidaire.com).

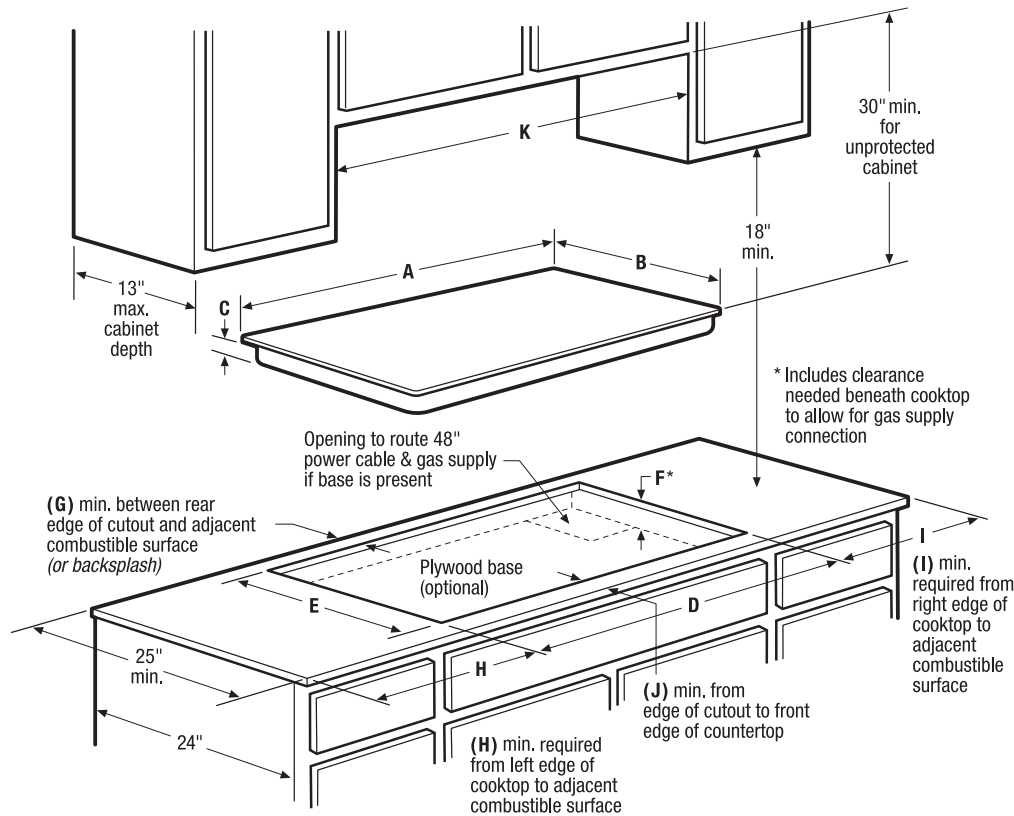


Product Dimensions	
A - Width	36"
B - Depth	21-3/4"
C - Height	4-1/4"

Cutout Dimensions	
Width (Min.)	33-7/8"
Width (Max.)	34-1/4"
Depth (Min.)	19-1/8"
Depth (Max.)	19-3/4"
Height	8"

Granite Countertop Installation Kit available.

Accessories information available on the web at [frigidaire.com](http://frigidaire.com)



Product Dimensions			Required Clearances			
<b>A - Width</b>	<b>B - Depth</b>	<b>C - Height</b>	<b>G (min.)</b>	<b>H (min.)</b>	<b>I (min.)</b>	<b>J (min.)</b>
36"	21-3/4"	4-1/4"	2"	7"	7"	2-1/4"
Product Cutout Dimensions			K - Cabinet Opening Width (min.)	Utility Connection Locations		
<b>D - Width (min. - max.)</b>	<b>E - Depth (min. - max.)</b>	<b>F - Height (min.)*</b>		Power Supply	Gas Supply	
33-7/8" - 34-1/4"	19-1/8" - 19-3/4"	8"	36"	Right Rear	Right Rear	

**Drop-In Cooktop Specifications**

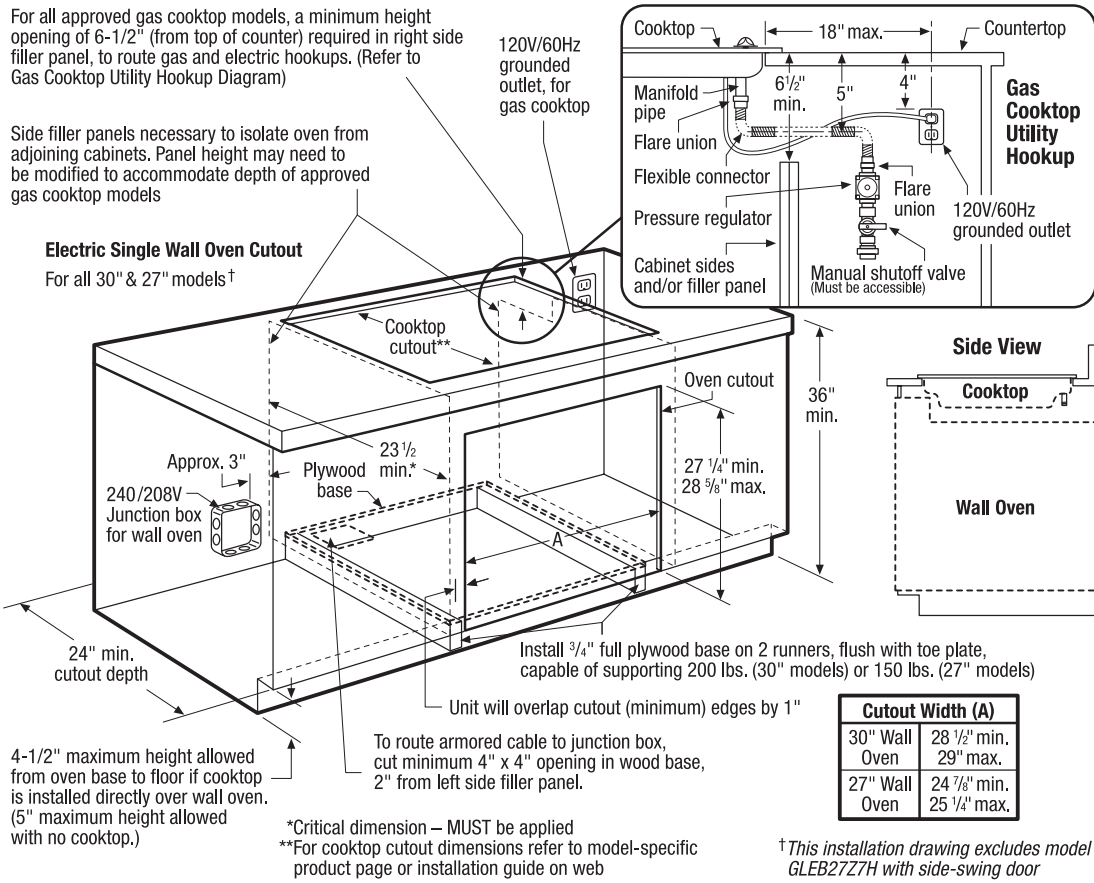
- Product Shipping Weight (approx.) - 60 Lbs.
- Voltage Rating - 120V/60 Hz/15 Amps
- For use on adequately wired 120V, dedicated circuit having 2-wire service with a separate ground wire. Appliance must be grounded for safe operation.
- Amps @ 120 Volts = 1.0 Amps
- Always consult local and national electric and gas codes.
- Cooktop cutout height includes clearance needed beneath cooktop to allow for gas supply connection. Recommended location for grounded 120V outlet is on rear wall in an 8"-wide by 10"-high area, positioned 22" above floor surface and 4" from right side of cooktop centerline. Access to underside of cooktop and junction box must be provided for inspection and service.
- Cooktop ships with 3/4" factory regulator.
- LP Gas conversion kit supplied.
- Overhead cabinetry should not exceed a 13" maximum depth.
- Absolute minimum horizontal distance between overhead cabinets installed to either side of appliance must be no less than 36".
- Allow 30" minimum clearance between top of cooktop platform and bottom of unprotected wood or metal overhead cabinet.

- Allow 2" minimum distance between rear edge of cutout and adjacent combustible surface (or backsplash).
- Allow 7" minimum required clearance from left edge of cooktop to adjacent combustible surface and 7" minimum from right edge of cooktop to adjacent combustible surface.
- Installation of drawer beneath cooktop requires 6-1/2" minimum clearance beneath countertop surface, and assured clearance for gas and electrical connections.
- To reduce risk of fire when using overhead cabinetry, install range hood that projects horizontally a recommended minimum of 5" beyond bottom of cabinets.
- Gas Drop-In Cooktop model FFGC3025L is approved to be used over any Frigidaire® Single Wall Oven.

**Note:** For planning purposes only. Refer to Product Installation Guide on the web at [frigidaire.com](http://frigidaire.com) for detailed instructions.

**Optional Accessories**

- Granite Countertop Installation Kit - (PN # 903103-9010).



### 30"/27" Electric Single Wall Oven Under-Counter Installation Specifications

- Single phase 3- or 4-wire cable, 120/240 or 120/208 Volt, 60 Hertz AC only electrical supply with ground required on separate circuit fused on both sides of line.
- For detailed electrical requirements, refer to model-specific product page and installation guide on web.
- Always consult local and national electric codes.
- Minimum 21" clearance for oven door depth when open.
- Minimum 23-1/2" deep cutout dimension is critical for proper installation, to ensure that oven's faceplate will fit flush against cabinet front.
- Side filler panels necessary to isolate oven from adjoining cabinets.
- Full oven base of solid plywood or similar material required, capable of supporting 200 Lbs. (30" models) or 150 Lbs. (27" models). Install over two runners and flush with toe plate.
- Base must be level and cabinet front must be square.
- Allow 5" maximum height from oven base to floor, if NO cooktop is installed directly over wall oven.

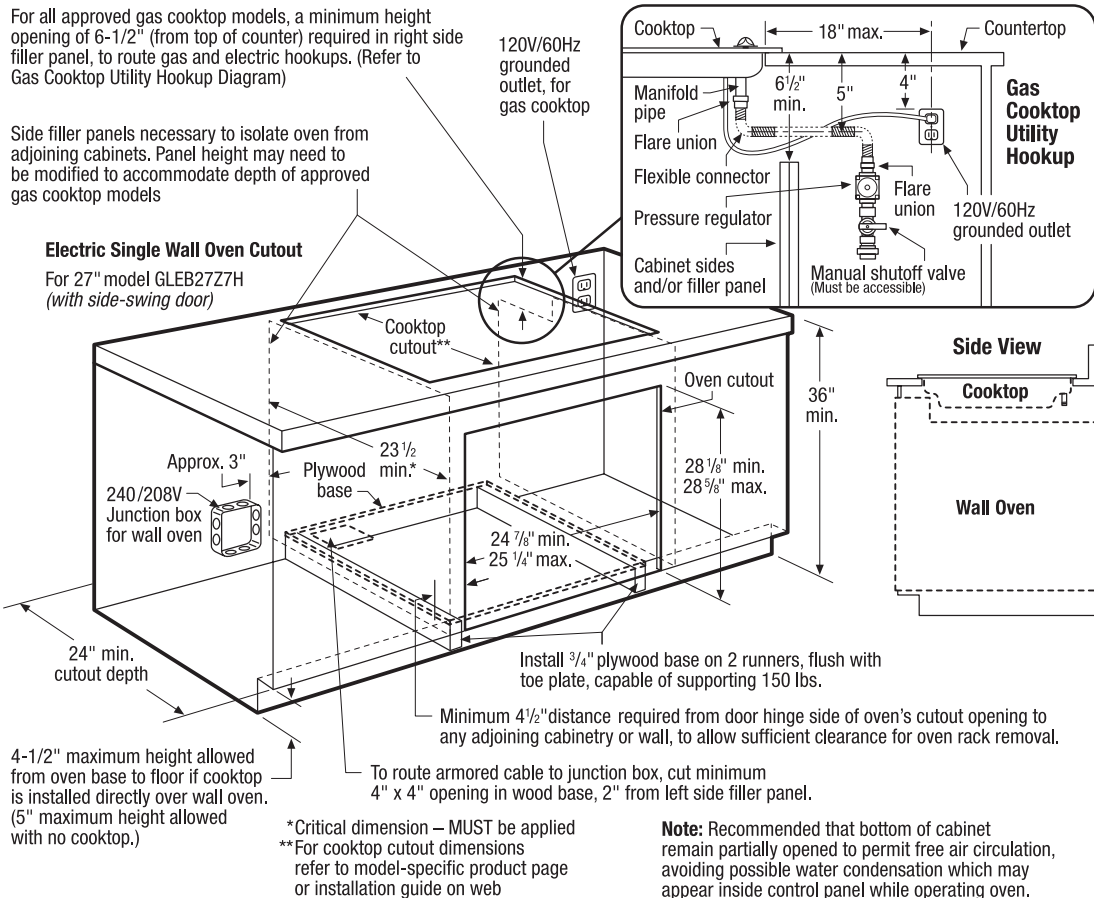
### Gas Cooktop Installation Over 30"/27" Electric Single Wall Oven Specifications

All Frigidaire® Electric Single Wall Ovens are approved to be used beneath any approved Frigidaire® Gas Cooktop. (This installation page excludes approved wall oven model GLEB27Z7H. For model-specific installation details, refer to Gas Cooktop Installation Over 27" Electric Single Wall Oven GLEB27Z7H Specifications pages on web.)

For detailed Gas Cooktop installation, refer to model-specific product page and installation guide on web.

- Side filler panel height may need to be modified to accommodate the depth of approved gas cooktop models.
- Minimum height opening of 6-1/2" (from top of counter) required in right side filler panel, to route gas and electric hookups.
- Allow 4-1/2" maximum height from oven base to floor, if cooktop is installed directly over wall oven.

**Note:** For planning purposes only. Refer to Product Installation Guide on the web at [frigidaire.com](http://frigidaire.com) for detailed instructions.



**27" Electric Single Wall Oven (GLEB27Z7H) Under-Counter Installation Specifications**

- Single phase 3- or 4-wire cable, 120/240 or 120/208 Volt, 60 Hertz AC only electrical supply with ground required on separate circuit fused on both sides of line.
- For detailed electrical requirements, refer to model-specific product page and installation guide on web.
- Always consult local and national electric codes.
- Minimum 27-1/4" clearance for oven door depth when open.
- Minimum 23-1/2" deep cutout dimension is critical for proper installation, to ensure that oven's faceplate will fit flush against cabinet front.
- Minimum 4-1/2" distance required from door hinge side of oven's cutout opening to any adjoining cabinetry or wall, to allow sufficient clearance for oven rack removal.
- Side filler panels necessary to isolate oven from adjoining cabinets.
- Oven base of solid plywood or similar material required, capable of supporting 150 Lbs. Install over two runners and flush with toe plate.
- Base must be level and cabinet front must be square.
- Recommended that bottom of cabinet remain partially opened to permit free air circulation, avoiding possible water condensation which may appear inside control panel while operating oven.
- Allow 5" maximum height from oven base to floor, if NO cooktop is installed directly over wall oven.

**Gas Cooktop Installation Over 27" Electric Single Wall Oven (GLEB27Z7H) Specifications**

- Frigidaire® Single Wall Oven model GLEB27Z7H is approved to be used beneath any approved Frigidaire® Gas Cooktop.
- For detailed Gas Cooktop installation, refer to model-specific product page and installation guide on web.
- Side filler panel height may need to be modified to accommodate the depth of approved gas cooktop models.
  - Minimum height opening of 6-1/2" (from top of counter) required in right side filler panel to route gas and electric hookups.
  - Allow 4-1/2" maximum height from oven base to floor, if cooktop is installed directly over wall oven.

**Note:** For planning purposes only. Refer to Product Installation Guide on the web at [frigidaire.com](http://frigidaire.com) for detailed instructions.