

# INSTALLATION INSTRUCTIONS

## 36" FULL GAS RANGE

**INSTALLATION AND SERVICE MUST BE PERFORMED BY A QUALIFIED INSTALLER.**

**IMPORTANT: SAVE FOR LOCAL ELECTRICAL INSPECTOR'S USE.**

**READ AND SAVE THESE INSTRUCTIONS FOR FUTURE REFERENCE.**

**⚠ WARNING** FOR YOUR SAFETY: Do not store or use gasoline or other flammable vapors or liquids near this or any other appliance.

### Table of Contents

<b>IMPORTANT SAFETY INSTRUCTIONS</b> .....	2	Gas connection .....	11
Product Dimensions .....	4	Conversion to Propane gas (LPG).....	14
Cabinet clearances.....	4	Wall and floor attachment .....	18
Location of the gas and electric outlets .....	5	Door removal .....	20
Installing the backguard .....	6	<b>Important Notes to the Installer</b>	
Installing the front/side skirting .....	6	1. Read all instructions contained in these installation instructions before installing the range.	
Installing the door handle .....	7	2. Remove all packing material from the oven and the drawer compartments before connecting the electrical and gas supplies to the range.	
Island installation.....	7	3. Observe all governing codes and ordinances. Be sure to leave these instructions with the consumer.	
Unpacking, moving and positioning the range	8		
Electrical connection .....	9		
Gas safety .....	10		

### Important Note to the Customer

Keep these instructions with your owner's guide for future reference.

**⚠ WARNING** If the instructions contained in this manual are not followed precisely, a fire or explosion may result causing property damage, personal injury or loss of life.

#### FOR YOUR SAFETY:

- Do not store or use gasoline or other flammable vapors or liquids near this or any other appliance.

#### WHAT TO DO IF YOU SMELL GAS:

- Do not try to light any appliance.
- Do not touch electrical switches; do not use any phone in the building.
- Immediately call your gas supplier from a neighbor's phone. Follow the gas supplier's instructions.
- If you cannot reach your gas supplier, call the fire department.

**INSTALLATION AND SERVICE MUST BE PERFORMED BY A QUALIFIED INSTALLER, SERVICE COMPANY OR GAS SUPPLIER.**

Note: For appliances installed in the State of Massachusetts, go to page 10.

Note: When operating at elevations higher than 2000 ft. above sea level, the appliance rating should be reduced by 4 percent for each additional 1000 ft.

# 36" FULL GAS RANGE INSTALLATION INSTRUCTIONS

## IMPORTANT SAFETY INSTRUCTIONS

This manual contains important safety symbols and instructions. Please pay attention to these symbols and follow all instructions given.

**⚠ WARNING** This symbol will help alert you to situations that may cause serious injury death or property damage.

**⚠ CAUTION** This symbol will help alert you to situations that may cause injury or property damage.

Installation of this range must conform with local codes or, in the absence of local codes, with the National Fuel Gas Code ANSI Z223.1/NFPA .54-latest edition or CAN/CGAB149.1 and CAN/CGA-B149.2 standards.

When installed in a manufactured (mobile) home, installation must conform with the Manufactured Home Construction and Safety Standard, Title 24 CFRR, Part 3280 [formerly the Federal Standard for Mobile Home Construction and Safety, Title 24, HUD (Part 280)] or, when such standard is not applicable, the Standard for Manufactured Home Installations, ANSI/NCSBCS A.225.1, or with local codes in United States or with ANSI Z225.1/NFPA 501A-latest edition, or CAN/CSAZ240MH in Canada.

This range has been design certified by CSA International. As with any appliance using gas and generating heat, there are certain safety precautions you should follow. You will find them in the Use and Care Guide, please read it carefully.

- **Make sure your range is installed and grounded properly by a qualified installer or service technician.**
- **This range must be electrically grounded in accordance with local codes or, in their absence, with the National Electrical Code ANSI/NFPA No. 70—latest edition in the United States or with CSA Standard C22.1, Canadian Electrical Code, Part 1 in Canada.** See Grounding Instructions in the Electrical Requirements section of these Installation Instructions.

- Before installing the range in an area covered with linoleum or any other synthetic floor covering, make sure the floor covering can withstand heat at least 90°F above room temperature without shrinking, warping or discoloring. Do not install the range over carpeting unless you place an insulating pad or sheet of ¼" (10,16cm) thick plywood between the range and carpeting.
- Make sure the wall coverings around the range can withstand the heat generated by the range.
- Do not obstruct the flow of combustion air at the oven vent nor around the base or beneath the lower front panel of the range. Avoid touching the vent openings or nearby surfaces as they may become hot while the oven is in operation. This range requires fresh air for proper burner combustion.
- Air curtains or other overhead range hoods, which operate by blowing air downwards onto a range, shall not be used in conjunction with gas ranges other than when the hood and range have been designed, tested and listed by an independent test laboratory for use in combination with each other.

**⚠ WARNING** Never leave children alone or unattended in the area where an appliance is in use. As children grow, teach them the proper, safe use of all appliances. Never leave the oven door open when the range is unattended.

**⚠ CAUTION** Stepping, leaning or sitting on the doors or drawers of this range can result in serious injuries and can also cause damage to the range.

- Do not store items of interest to children in the cabinets above the range. Children could be seriously burned if they climb on the range to reach items.
- To eliminate the need to reach over the surface burners, cabinet storage space above the burners should be avoided.
- Adjust the size of the surface burner flame so that it does not extend beyond the edge of the cooking utensil. An excessive flame size is hazardous.

# 36" FULL GAS RANGE INSTALLATION INSTRUCTIONS

- Do not use the oven as a storage space. This creates a potentially hazardous situation.
- Never use your range for warming or heating the room. Prolonged use of the range without adequate ventilation can be dangerous.
- Do not store or use gasoline or other flammable vapors and liquids near this or any other appliance. Explosions or fires could result.
- In the event of an electrical power outage, the surface burners can be lit manually. To light a surface burner, hold a lit match to the burner head and slowly turn the Surface Control knob to LITE. Be careful when lighting surface burners manually.
- Unlike the standard gas range, THIS COOKTOP IS NOT REMOVABLE. Do not attempt to remove the cooktop.

**!WARNING** Do not repair, replace or remove any part of the appliance unless specifically recommended in the manuals. Improper installation, service or maintenance can cause injury or property damage. Refer to this manual for guidance. All other servicing should be done by an authorized service provider.

- The appliance should only be used if installed by a qualified technician in accordance with these installation instructions and all applicable regulations and codes. The manufacturer is not responsible for damages resulting from incorrect installation.
- Never modify or alter the appliance. For example, do not remove leveling legs, panels, wire covers or anti-tip brackets/screws.
- To eliminate the risk of burns or fire by reaching over hot surface units, cabinet storage space located above the surface units should be avoided. If cabinet storage is to be provided, the risk can be reduced by installing a hood that projects horizontally a minimum of 5 inches (127 mm) beyond the bottom of the cabinet. Make sure that cabinets above the cooktop are a maximum of 13" (330 mm) deep.

## **!WARNING**



## Tip Over Hazard

- A child or adult could tip the range over and be killed.
- Install the anti-tip device on the floor or wall as per the installation instructions.
- Engage the range with the anti-tip device as per the installation instructions.
- Ensure the anti-tip device is re-engaged when the range is moved.
- Do not operate the range without the anti-tip device in place and engaged.
- Failure to follow these instructions can result in death or serious burns to children and adults.



To check if the anti-tip bracket is installed properly, use both arms and grasp the back edge of the range. Carefully attempt to tilt the range forward. When properly installed, the range should not tilt forward.

Refer to the anti-tip bracket installation instructions supplied with your range for proper installation.

## Safety codes and Standards

This appliance complies with one or more of the following standards:

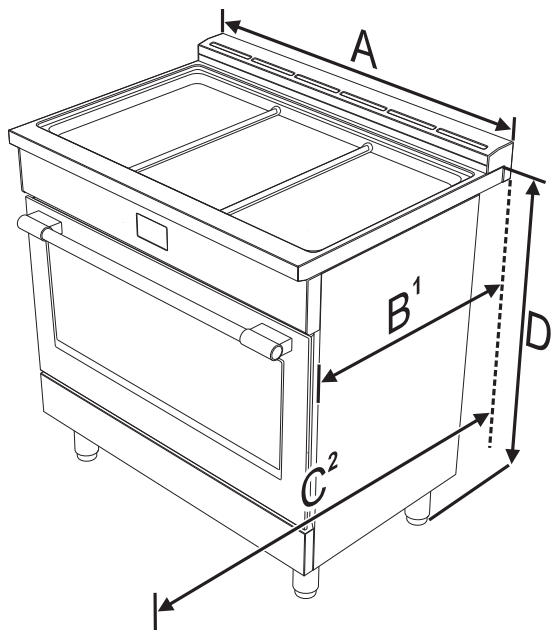
- ANSI Z21.1/CSA 1.1 Household Cooking Gas Appliances.

It is the responsibility of the owner and the installer to determine whether additional requirements and/or standards apply to specific installations.

Installation must conform with local codes or, in the absence of local codes, with the National Fuel Gas Code, ANSI Z223.1/NFPA 54 or, in Canada, the Natural Gas and Propane Installation Code, CSA B149.1. The appliance must be electrically grounded in accordance with local codes or, in the absence of local codes, with the National Electrical Code, NFPA 70 latest edition or, in Canada, the Canadian Electric Code, CSA C22.1-02.

# 36" FULL GAS RANGE INSTALLATION INSTRUCTIONS

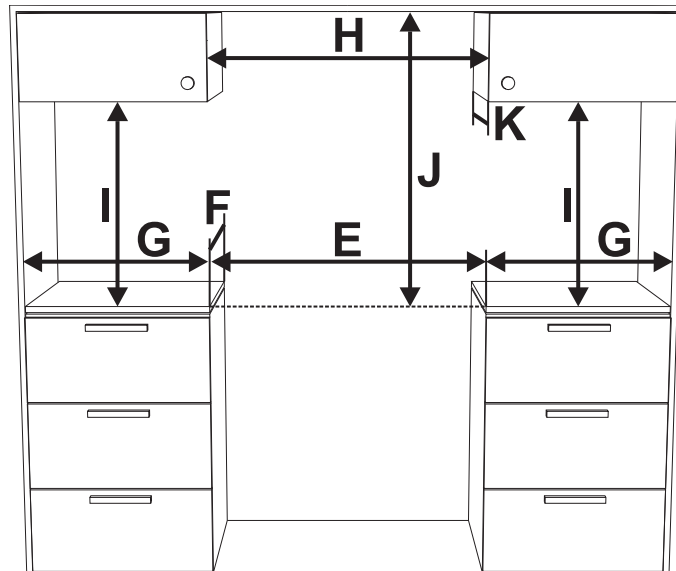
## Product Dimensions



<b>A</b>	912.4 mm	35 15/16"
<b>B<sup>1</sup></b>	min: 654 mm max: 658 mm	min: 25 3/4" max: 25 7/8"
<b>C<sup>2</sup></b>	1116 mm	43 15/16"
<b>D</b>	min: 903 mm max: 929 mm	min: 35 9/16" max: 36 9/16"

1. Measurement **B** varies according to the model: the minimum is obtained without the rear spacers (see "Island installation") and the maximum is obtained for traditional installation (slot-in installation - with the rear spacers).
2. Measurement **C** refers to the open door.

## Cabinet clearances



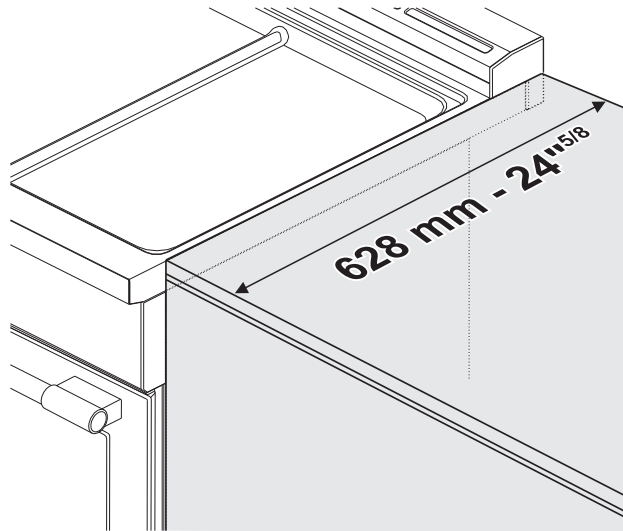
<b>E</b>	min. 914 mm	min. 36"
<b>F</b>	628 mm	24" 5/8
<b>G</b>	min. 508 mm	min. 20"
<b>H</b>	min. 914 mm	min. 36"
<b>I</b>	min. 457 mm	min. 18"
<b>J</b>	see notes below	
<b>K</b>	max. 330 mm	max. 13"

Clearance **J** can have the following values:

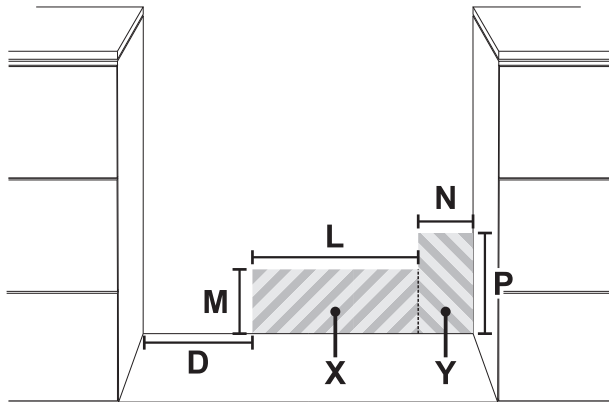
- **J = 42" / 1067 mm** minimum clearance between the top of the cooking surface and the bottom of an unprotected wood or metal cabinet.
- **J = 30" / 762 mm** minimum when the bottom of wood or metal cabinet is protected by not less than 1/4-inch-thick flame-retardant millboard covered with not less than No. 28 MSG sheet steel, 0.015-inch-thick stainless steel, 0.024-inch-thick aluminum, or 0.020-inch-thick copper. Clearances from non-combustible materials are not part of the ANSI Z21.1 scope and are not certified by CSA. Clearances of less than 30" should be approved by the local codes and/or by the local authority having jurisdiction.

# 36" FULL GAS RANGE INSTALLATION INSTRUCTIONS

The side cabinet depth (clearance **F**) must match the front edge of the range side panel:



## Location of the gas and electric outlets



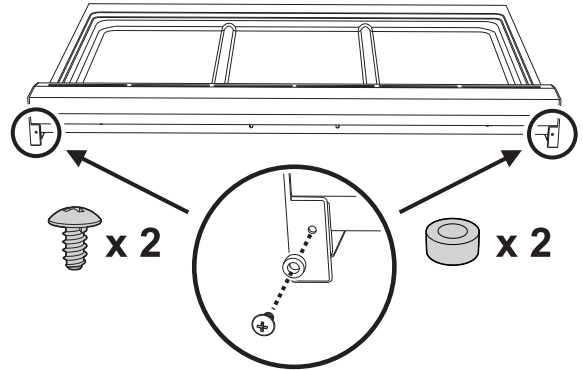
<b>D</b>		Min: 11" 7/8	Min: 300 mm
Grounded outlet (X)	<b>L</b>	Min: 11" 7/8	Min: 300 mm
		Max: 18" 2/8	Max: 462 mm
	<b>M</b>	Min: 2"	Min: 51 mm
		Max: 9" 7/8	Max: 250 mm
Gas supply Line (Y)	<b>N</b>	Min: 2"	Min: 51 mm
		Max: 6"	Max: 152 mm
	<b>P</b>	Min: 2"	Min: 51 mm
		Max: 10" 7/8	Max: 275 mm

## Installing the backguard

The backguard provided is an integral part of the appliance; it must always be positioned and secured correctly on the cooktop.

You can find the assembly instruction for the backguard in the instructions sheet provided.

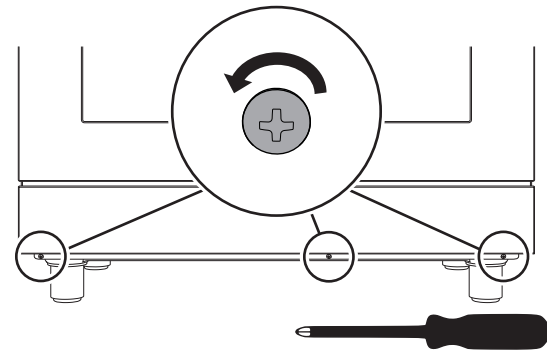
Once you have fixed the backguard to the appliance, you must insert the screws and spacers provided that are necessary for the slot-in installation.



## Installing the front/side skirting

The front skirting must always be correctly positioned and secured to the appliance.

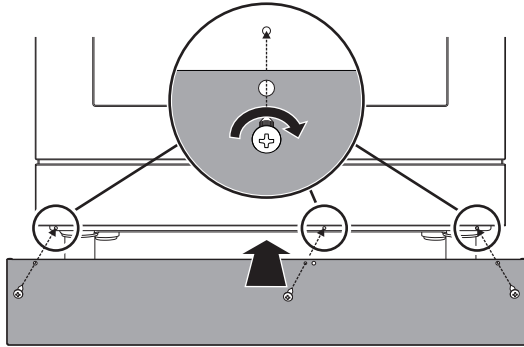
1. Use a screwdriver to remove the front screws.



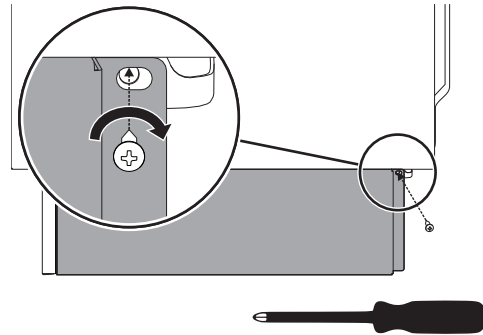
2. Position the front skirting at the bottom of the appliance and line up the holes on the side of the skirting with the holes on the base of the appliance.

# 36" FULL GAS RANGE INSTALLATION INSTRUCTIONS

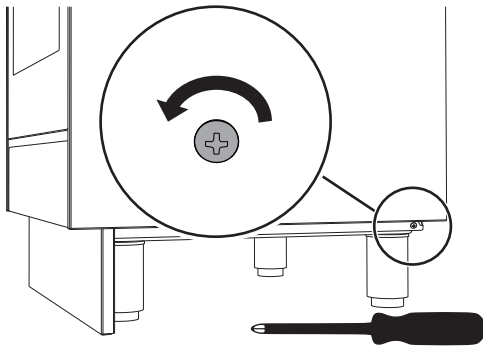
3. Fasten the front skirting to the appliance using the screws that were previously removed.



7. Fasten the side skirting to the appliance using the screw that was previously removed.



4. After the front skirting has been installed, the side skirting can be fastened correctly to the appliance. Use a screwdriver to remove the side screws.

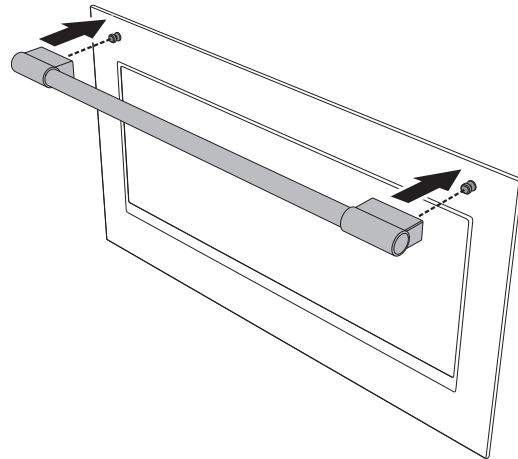


8. Repeat the procedure for the other side skirting section.

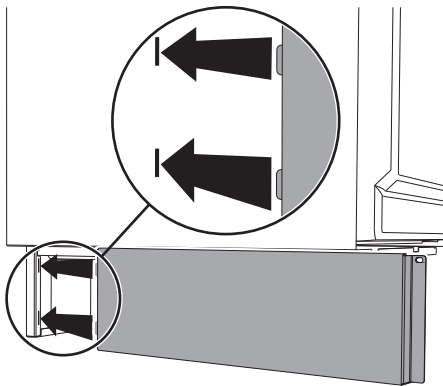
## Installing the door handle

The door handle provided comes unattached to the appliance and must be secured to the oven door during the installation.

1. Position the handle to the attaching pins of the oven door.



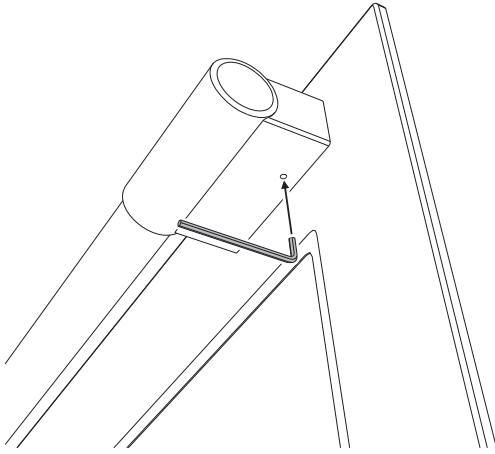
5. Insert the tabs on the side skirting into the slots on the back of the front skirting.



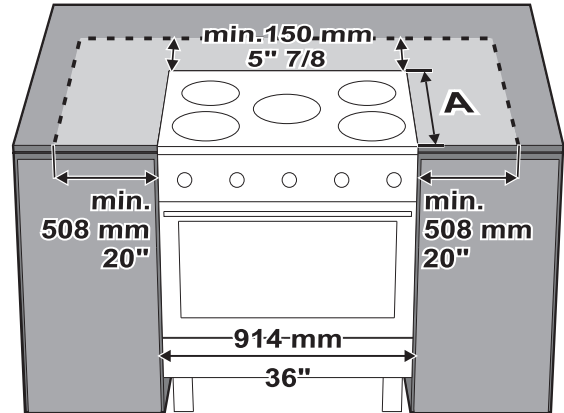
6. Line up the hole on the side skirting with the rear hole on the base of the appliance.

# 36" FULL GAS RANGE INSTALLATION INSTRUCTIONS

- Secure the handle by tightening the screws underneath both its ends. Use the provided 3/32" hex Allen key.



Keep a minimum clearance of 20" (508 mm) between the appliance and any flammable furniture elements.

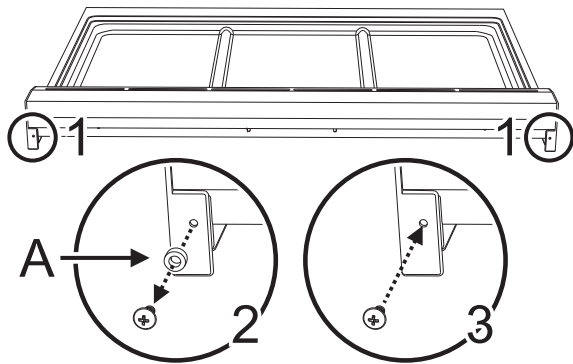


The side cabinet depth (clearance **A**) must match the front edge of the range side panel:

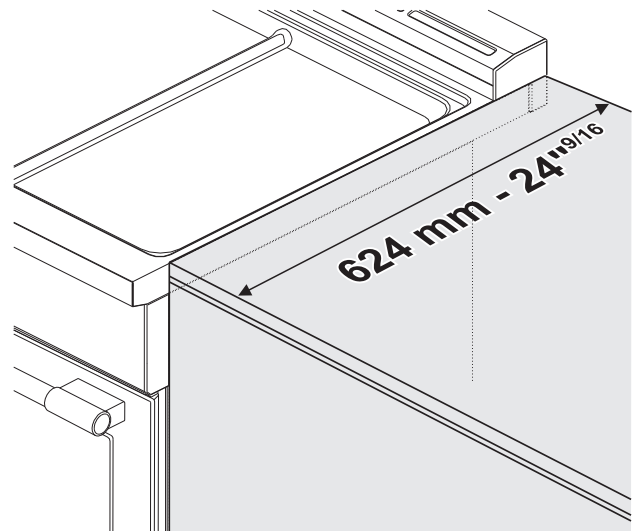
## Island installation

If the appliance is installed as an island:

- Unscrew the screws indicated.
- Remove the spacers (**A**).
- Insert the screws that were previously removed into their seats.



Keep a minimum clearance of 5 7/8" (150 mm) between the appliance and the other furnishings or decorative elements according to the diagram below.



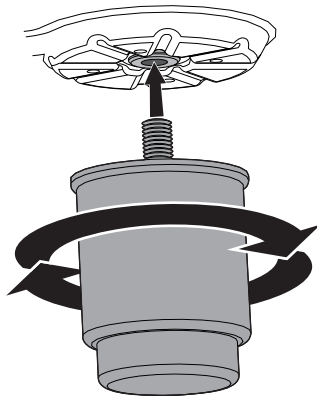
## Unpacking, moving and positioning the range

**CAUTION** This unit is designed as a cooking appliance. For safety reasons, never use it for warming the room or as a space heater.

- It is recommended that the front kick panel, the backguard and oven racks be removed to facilitate handling. This will reduce the weight for moving.
- When positioning the appliance during installation, do not use the door handle to lift or move the appliance.
- Wear gloves to avoid cutting fingers on sharp edges during installation.

# 36" FULL GAS RANGE INSTALLATION INSTRUCTIONS

- Remove the outer carton and packing material from the shipping base.
- The appliance can be moved with a hand dolly or with a clamp lift truck (not with a fork lift truck) only if it is still packaged.
- Remove all tape and packaging before using the appliance. Dispose of the packaging after unpacking the appliance. Never allow children to play with packaging material.
- Due to its weight, after removing the packing material, move it with the help of a second person.
- Before moving range ensure legs are installed completely. Adjust level only when appliance is in final location.
- Before moving range ensure legs are installed completely.
- The floor under the legs should be protected (wood, strips, carpet, paneling, etc.) before pushing the unit into position.
- The anti-tip device must be installed, and the gas / electrical connections should be made before the range is placed in its final position.
- Legs should be installed near to where the appliance will be used as they are not secure for long transit. Keep the unit raised so that the legs can be screwed into their couplings, then lower the range gently to prevent the legs and mounting hardware from being subject to any undue strain.



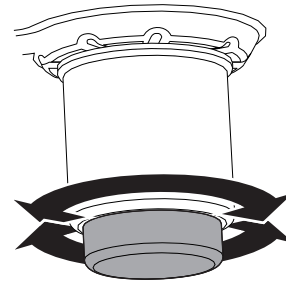
**NOTE:** First insert the front feet and then the rear ones.

The following is the correct order of installation and positioning:

1. Install and adjust the legs.
2. Install the front/side skirting.
3. Assemble and fix the anti-tip bracket to the floor or wall.
4. Make the gas and electrical connections.
5. Move the range to its final position.

The appliance must sit level on the floor to ensure stability

- Screw or unscrew the bottom part of the foot until the appliance is stable and level on the floor. The adjustment range of the screw is 1.37 inches (35 mm).



**NOTE:** this appliance must only use the specific leveling legs provided by the manufacturer.

## Ventilation recommendations:

- We strongly recommend the installation of a ventilation hood above this appliance. The hood must be installed according to the instructions provided with the hood.

**CAUTION** The appliance should not be installed with a ventilation system that blows air downward toward the burners. This type of ventilation system may cause ignition and combustion problems with the gas cooking appliance and may result in personal injury or unintended operation.



# 36" FULL GAS RANGE INSTALLATION INSTRUCTIONS

## Electrical connection

### **!WARNING**

#### Electrical shock hazard



- This appliance is equipped with a four-prong grounding plug for your protection against electric shock and should be plugged directly into a properly grounded receptacle. Do not cut or remove the grounding prong from this plug.
- The grounding prong must be plugged into a matching grounding type receptacle and connected to a correctly polarized 240-Volt circuit. If there is any doubt as to whether the wall receptacle is properly grounded, have it checked by a qualified electrician.

Failure to do any of the above could result in a fire, personal injury or electrical shock.

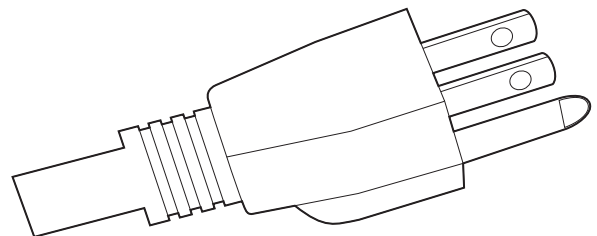
### **!WARNING**

#### Electrical shock hazard



- For personal safety, this appliance must be properly grounded. For maximum safety, the power cord must be securely connected to an electrical outlet or junction box that is the correct voltage, is correctly polarized and properly grounded, and protected by a circuit breaker in accordance with local codes.
- It is the personal responsibility of the consumer to have the appropriate outlet or junction box with the correct, properly grounded wall receptacle installed by a qualified electrician. It is the responsibility and obligation of the consumer to contact a qualified installer to ensure that the electrical installation is suitable and in conformance with all local codes and ordinances.

This range is equipped with a factory-connected power cord. The cord must be connected to a grounded 120 volt - 60 Hz outlet. If no outlet is available, have one installed by a qualified electrician.



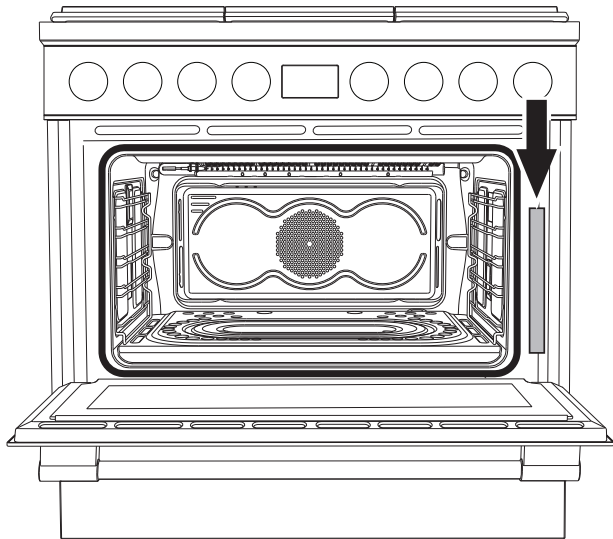
### **!CAUTION**

Do not use multiple outlets, extension cords or adapters.

See the rating plate for technical specifications. The rating plate is visibly located on the right side of the oven door frame.

# 36" FULL GAS RANGE INSTALLATION INSTRUCTIONS

This ID plate must never be removed.



**IMPORTANT SAFETY NOTICE:** Burning gas cooking fuel generates some by-products which are on the list of substances which are known by the State of California to cause cancer or reproductive harm. To minimize exposure to these substances, always operate this unit according to the instructions contained in this booklet and provide good ventilation.

## **⚠️ WARNING** State of California Proposition 65 Warning:

This product may contain a chemical known to the State of California, which can cause cancer or reproductive harm. Therefore, the packaging of your product may bear the following label as required by California. For more information go to [www.P65Warnings.ca.gov](http://www.P65Warnings.ca.gov)

## Gas safety

**⚠️ WARNING** Burning gas cooking fuel generates some by-products which are on the list of substances which are known by the State of California to cause cancer or reproductive harm. To minimize exposure to these substances, always operate this unit according to the instructions contained in this booklet and provide good ventilation.

Install a gas shutoff valve near the appliance. It must be easily accessible in an emergency.

Leak testing must be conducted by the installer according to the instructions in this manual. The appliance and its individual shutoff valve must be disconnected from the gas supply piping system during any pressure testing at pressures in excess of ½ psi (3.5 kPa).

The appliance must be isolated from the gas supply piping system by turning off its individual manual shutoff valve during any pressure testing of the gas supply piping system at test pressures equal to or less than ½ psi (3.5 kPa). The minimum supply pressure must be 1" water column above the manifold pressure printed on the rating label. The maximum supply pressure of 14.0 inches water column (34.9 Millibars) must not exceed.

## Propane gas installation

The propane gas tank must be equipped with its own high pressure regulator. In addition, the regulator supplied with this unit must also be used. The appliance is shipped from the factory for use with natural gas. It must be converted for use with propane. The conversion must be done by a qualified technician or installer. This appliance has been certified for safe operation up to a height of 10,000 ft. Exception: To use it with propane gas, the appliance must be converted in accordance with the propane conversion instructions.

### For Massachusetts installations:

- Installation must be performed by a qualified or licensed contractor, plumber or gas fitter qualified or licensed by the state, province or region where this appliance is being installed.
- Shut-off valve must be a "T" handle gas cock.
- Flexible gas connector must not be longer than 36 inches.

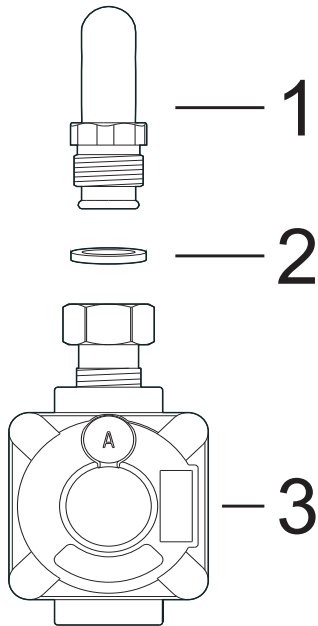
Installer - show the owner where the gas shut-off valve is located.

## Gas connection

The appliance is shipped from the factory for use with natural gas at a pressure of 5" of water column. When checking if the regulator is working properly, the inlet pressure must be at least 1" greater than the operating (manifold) pressure above. When used with natural gas, the pressure supplied to the regulator must be between 6" and 10.5" of the water column.

# 36" FULL GAS RANGE INSTALLATION INSTRUCTIONS

To convert the appliance to propane gas see "Conversion to Propane gas (LPG)". The conversion must be done by a qualified technician or installer. Use a flexible gas pipe with a length of at least 5 ft (1.5 m). The gas inlet to the unit is located at the back right of the appliance. Install the pressure regulator (supplied with the unit) on the gas inlet. Install the gasket (supplied with the unit) between the inlet and the regulator. Position the regulator so that the cap D is easily accessible. Tighten the nut on the gas inlet so that it is hand tight plus 1/3 turn. Connect the gas pipe to the regulator using Teflon tape or pipe-joint compound (resistant to propane gas and natural gas). Turn so that it is hand tight plus 1/3 turn. Do not exceed 1 turn for alignment, to prevent possible damage to the gas pressure regulator.



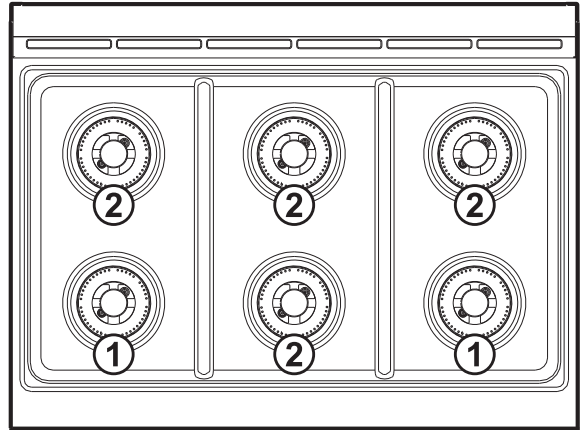
- 1 Gas inlet (attached to the appliance).
- 2 Gasket.
- 3 Pressure regulator.

**CAUTION** Do not allow regulator to rotate on pipe when tightening fittings.

**WARNING** Do not attempt to adjust the pressure regulator, except when converting to propane. Adjustments could lead to leaks or cause incorrect gas pressure being supplied to the appliance.

## Burners and nozzles technical tables

### Cooktop burners:



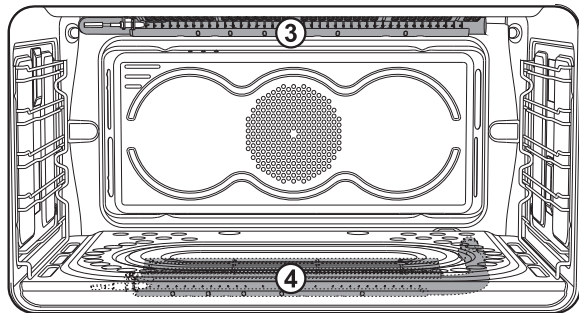
Burner No.	1	2
Max. Power (BTU)	18000	12000
Min. Power (BTU)	750	750
Bypass (mm)	75 / 26	55 / 26

Burner No.	1	2
Ext. nozzle number	180	135
Int. nozzle number	75	75

Burner No.	1	2
Ext. nozzle number	115	91
Int. nozzle number	48	48

# 36" FULL GAS RANGE INSTALLATION INSTRUCTIONS

## Oven cavity burners:



3: Broiler burner

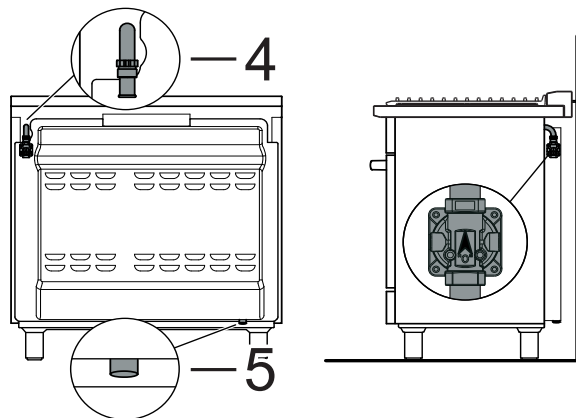
4: Oven burner

Broiler and oven burners power table		
Burner No.	3	4
Power (BTU)	14000	17000

Natural gas nozzles table (Pressure in W.C.P.: 5")		
Burner No.	3	4
Nozzle number	165	180

LPG nozzles table (Pressure in W.C.P.: 10")		
Burner No.	3	4
Nozzle number	110	117

## Location of the appliance's Gas and Electric connections



4 Gas connection

5 Electrical connection

Connect the gas supply line to the unit pressure regulator using a 1/2" flex gas line connector between the manual shut-off valve and the pressure regulator. A metal flex line or fixed metal pipe must be used to connect the gas to the appliance. If a metal gas line cannot be used, consult your local certified electrician or local electric codes for proper grounding.

Check the supply line connections for leaks using a soap solution or non-corrosive leak detection fluid. Do not use a flame of any sort.

**! WARNING** Install a gas shutoff valve near the appliance. After installation, it must be easily accessible in an emergency.

1. Turn on gas.
2. Apply a soap solution or non-corrosive leak detection fluid to all joints and fittings in the gas connection between the shut-off valve and the cooktop. Include gas fittings and joints in the cooktop if connections may have been disturbed during installation. Bubbles appearing around fittings and connections indicate a leak.
3. If you detect a leak, turn off supply line gas shut-off valve and tighten connections.
4. Retest for leaks by turning the gas supply line shutoff valve on. When the leak check has been completed (no bubbles appear), the test is complete.
5. Wipe off all residues of the soap solution or detection fluid.

## Important Notes for Gas Connection:

- The appliance and its individual gas shutoff valve must be disconnected from the gas supply piping system during pressure testing of the system at test pressures in excess of 1/2 psi (3.5kPa).
- The appliance must be isolated from the gas supply piping system by turning off its individual manual shut-off valve during pressure testing of the gas supply piping system at test pressures equal to or less than 1/2 psi (3.5kPa).

# 36" FULL GAS RANGE INSTALLATION INSTRUCTIONS

## Testing for gas leaks

**!WARNING** NEVER use a flame to check for gas leaks.

Gas leak tests should be performed before the testing the electric ignition of the burners:

1. Turn on gas supply.
2. Apply a non-corrosive leak detection fluid (e.g. soapy water) to all joints and conduits.
3. If bubbles appear, it means there is a leak. Turn off the gas supply and tighten the connections.
4. Retest for leaks. If no bubbles appear, the test is passed. Wipe off all residues of detection fluid.

## Testing the electric ignition of the burners


This test should be performed after the range and supply line connectors have been carefully checked for leaks and the range connected to the electric power supply:

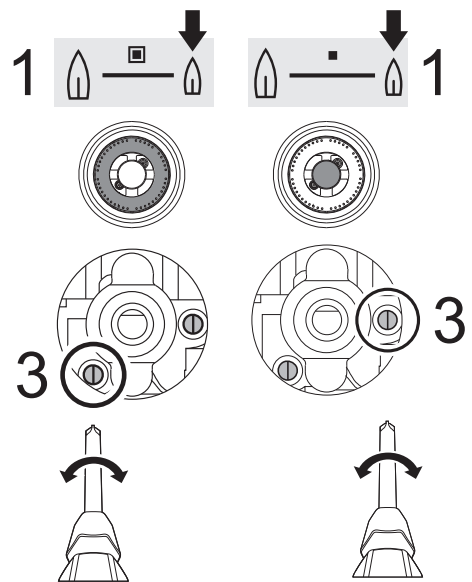
1. Push in and turn a surface burner knob to the low flame position. You will hear the igniter sparking.
2. The surface burner should light when gas is supplied to the cooktop burners. Each burner should light within four (4) seconds, after air has been purged from supply lines. Visually check that burner has lit.
3. Once the burner lights, the control knob should be rotated out of the low flame position.
4. There are separate ignition devices for each burner. Try each knob separately and together until all burner valves have been checked.

## Adjusting the minimum gas setting

Since all cooktop burners are of the dual-flame type, the minimum gas setting must be adjusted for both the outer and inner rings.

These instructions refer to a single burner. Repeat the following for each cooktop burner.

1. Push in the burner control knob and light it at the minimum position  .
2. Remove the burner control knob, along with the conical spring and knob ring.
3. Tighten or loosen the highlighted screws to adjust the minimum flame height.



## Conversion to Propane gas (LPG)

### **!WARNING**

- Before proceeding with the gas conversion, the gas supply must be turned off before disconnecting the electrical power.
- A gas leak test should be performed after the gas conversion has been carried out.

### **Always provide an adequate gas supply.**

This appliance is shipped from the factory for use with natural gas. Use this kit to convert the appliance for use with propane gas, if necessary. Comply with the following: Ensure that the range is converted for use with the appropriate gas before using it.

This appliance is designed to operate at a pressure of 10" of water column when used with propane gas.

# 36" FULL GAS RANGE INSTALLATION INSTRUCTIONS

When checking if the regulator is working properly, the inlet pressure must be at least 1" greater than the operating (manifold) pressure above. When converting for propane gas use, the pressure supplied to the regulator must be between 11" and 13" of the water column.

The pressure regulator located in the inlet of the range manifold must remain in the supply line.

Use a flexible metal appliance connector or rigid pipe to connect the range to the gas supply. The connector should have an inside diameter of 1/2" and be 5 ft (1.5 m) or less in length.

(Exception: Maximum connector length in Massachusetts installations is 3 ft (0.9 m). In Canada, the connector must be single-wall metal and not longer than 6 ft (1.8 m).

Save the nozzles removed from the appliance for future use.

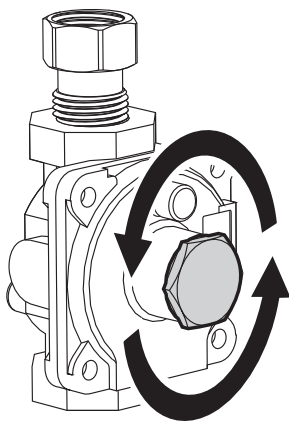
**CAUTION** Before proceeding with the gas conversion, the gas supply must be turned off before disconnecting the electrical power.

## Parts included with the propane gas nozzle kit:

- 6 x nozzle number 48
- 4 x nozzle number 91
- 2 x nozzle number 115
- 1 x nozzle number 110
- 1 x nozzle number 117
- 1 x adhesive label for LPG nozzles
- 1 x nozzles change warning label
- 1 x sealing gasket

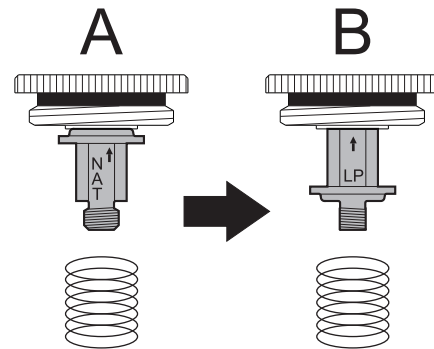
## Setting the pressure regulator for Propane Gas

1. Unscrew regulator cap.



2. Unscrew the plastic regulator stem from the regulator cap. Configuration "A" is for Natural Gas.

3. Invert the plastic regulator stem to achieve the configuration "B" for Propane Gas and screw it in tightly.



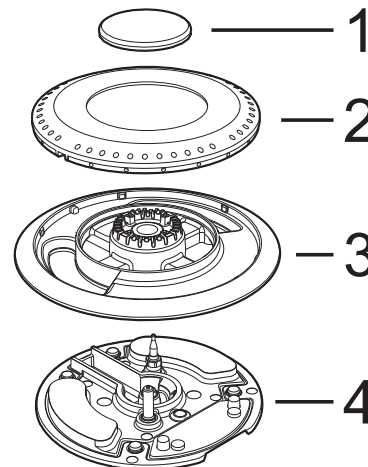
4. Screw the regulator stem and cap into place.

## NOTE:

When converting for Propane Gas use, the pressure supplied to the regulator must be between 11" and 13" of the water column.

## Replacing the cooktop burner nozzles

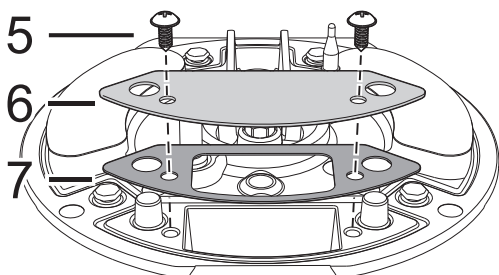
1. Remove the cooktop grates.
2. Remove the burner cover (1), the flame-spreader crown (2) and the burner skirt (3) from the burner base (4).



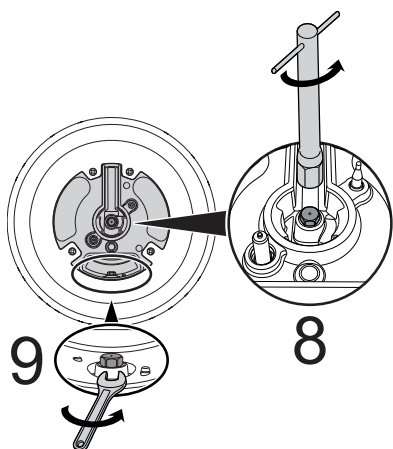


# 36" FULL GAS RANGE INSTALLATION INSTRUCTIONS

- Remove the tightening screws (5), the cover plate (6) and the gasket (7).



- Remove the internal (8) and external (9) nozzles and replace them with the LPG nozzles (see "LPG nozzles table (Pressure in W.C.P.: 10)").



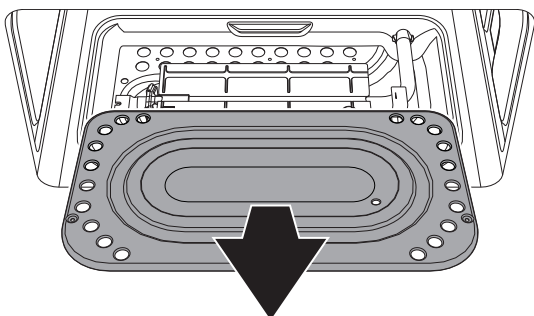
**CAUTION** This procedure must be performed for every burner.

- Refit the burner components following the above instructions in reverse.

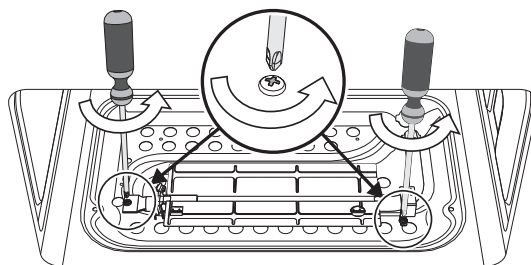
## Replacing the oven burner nozzle

**CAUTION** Take care not to damage the thermocouple or the igniter when doing the following operations.

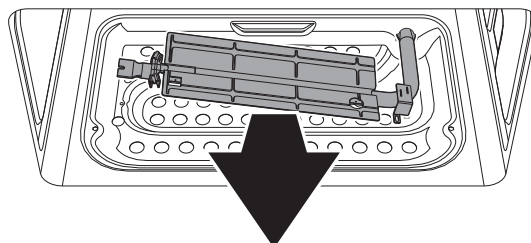
- Open the door and remove all the accessories from inside the oven.
- Remove the shelf.



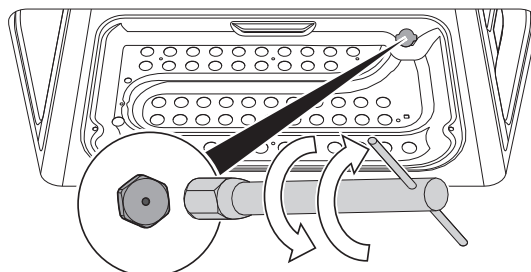
- Remove the oven burner fastening screws from the base.



- Gently lift the burner at the side and pull it towards you to remove it from its seat.



- Replace the nozzle using a 7 mm socket wrench; install the most suitable one for the type of gas used.



## NOTE:

The tightening torque of the nozzle must be 4 Nm.

- After having replaced the nozzle, put the burner back in its seat.
- Tighten the burner fastening screws.
- Put the shelf back in its seat.

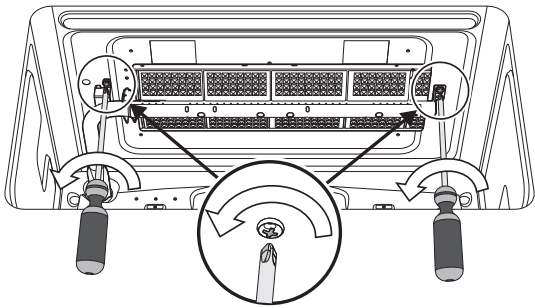
## Replacing the broiler burner nozzle

**CAUTION** Take care not to damage the thermocouple or the igniter when doing the following operations.

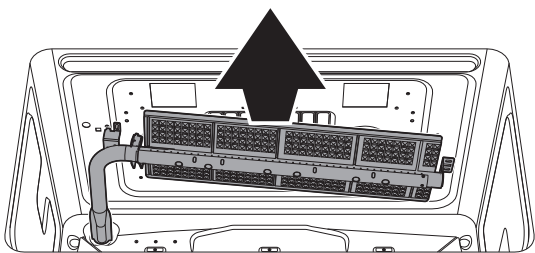
- Open the door and remove all the accessories from inside the oven.

# 36" FULL GAS RANGE INSTALLATION INSTRUCTIONS

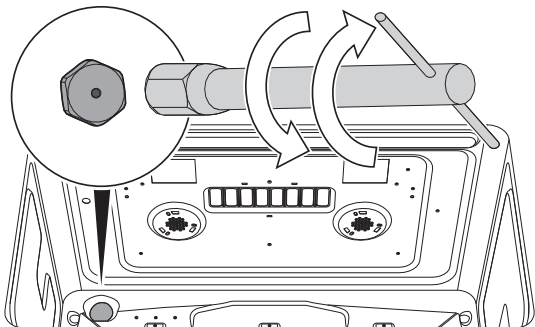
- Loosen the screws fastening the gas burner with grill to the upper part of the oven.



- Gently pull out the burner until the nozzle is accessible.



- Replace the nozzle with the most suitable one for the type of gas used using a 7 mm socket wrench.



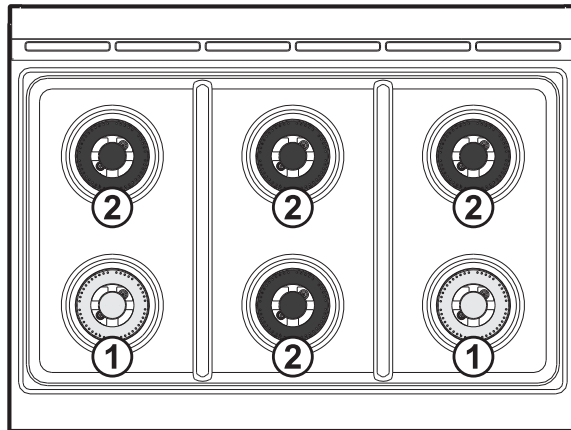
## NOTE:

The tightening torque of the nozzle must be 4 Nm.

- After having replaced the nozzle, put the burner back in its seat.
- Tighten the burner fastening screws.

## Correct cooktop burners placement

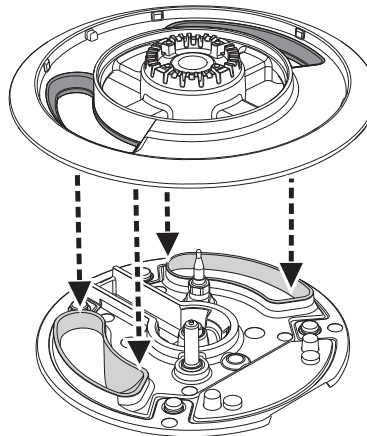
Pay attention to place the burners in their correct zones prior to remounting them.



- 18000 BTU **brass coated** burners - to be placed in the front left and front right zones.
- 12000 BTU **black coated** burners - to be placed in all the other zones.

## Refitting the cooktop burners

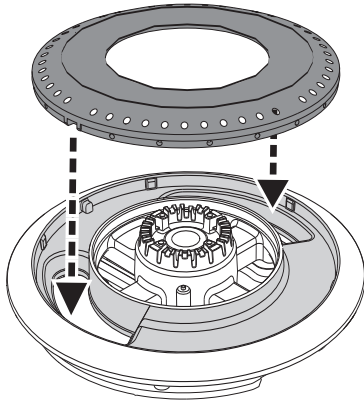
In order to be installed correctly, the shape of the burner skirt openings must match the shape of the openings in the burner base.



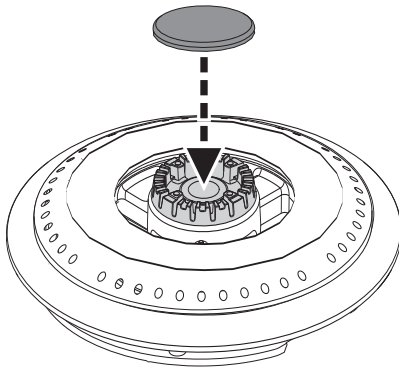


# 36" FULL GAS RANGE INSTALLATION INSTRUCTIONS

The flame-spreader crown must be centered on the burner skirt.



The burner cover must be leveled and centered with respect to the burner skirt.



Each burner component must be positioned horizontally and must correctly interlock with each other. Check that they are fitted correctly by moving each component gently. If the components do not fit correctly or are inclined, adjust the position of each component until it remains fixed in position.

## Wall and floor attachment

### ⚠ WARNING



### Electrical shock hazard

- Use extreme caution when drilling holes in the wall or floor. There may be concealed electrical wiring behind the wall or under the floor.
- Identify the location of the electrical circuits that could be affected by the installation of the anti-tip device, then turn off power to these circuits.
- Failure to follow these instructions may result in electrical shock or other personal injury.
- Contact a qualified installer or contractor to determine the proper method for drilling holes through the wall or floor material (such as ceramic tile, hardwood, etc.)
- Failure to follow these instructions may result in damage to wall or floor coverings.

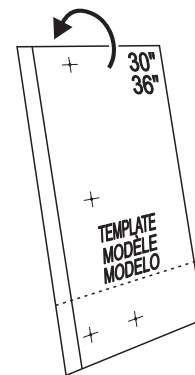
### ⚠ CAUTION

### ⚠ WARNING

Visually check from the inside of the drawer that the wall/floor-mounted bracket is inserted into the appropriate lateral hook (left side).

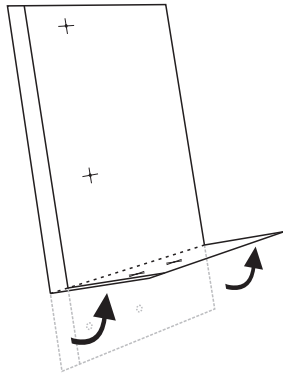
Positioning the bracket using the template:

1. Choose the correct side of the template, based on the model.

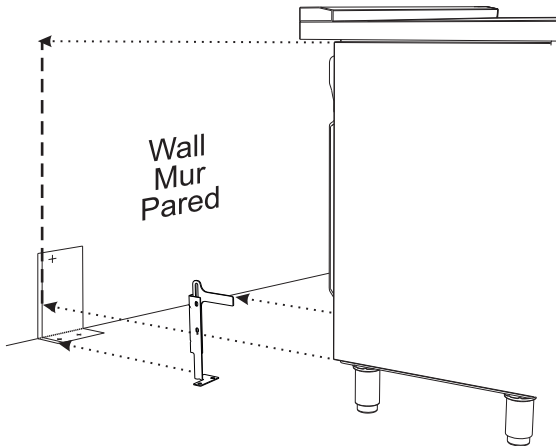


# 36" FULL GAS RANGE INSTALLATION INSTRUCTIONS

2. Fold the template following the horizontal dashed line.



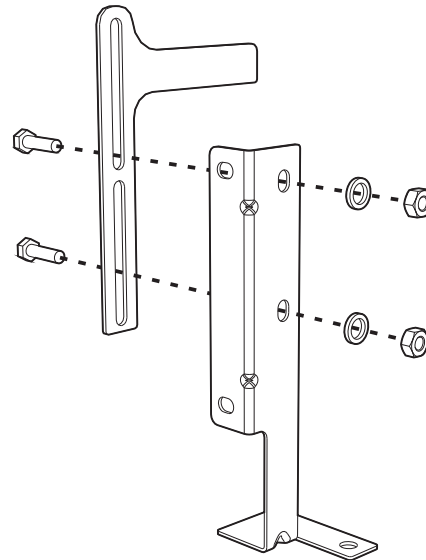
3. Place the template so that the thick vertical line drawn on it is aligned with the edge of the left side of the appliance.



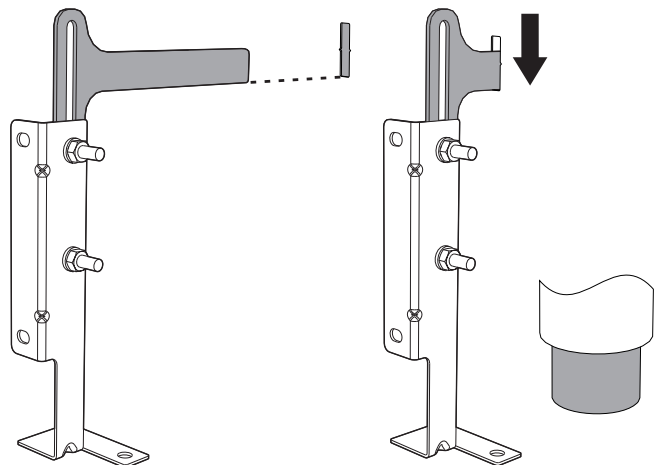
4. Mark the location of the screw holes, to wall or to floor depending of how you want to fix the bracket.
5. Fix the anti-tip bracket.

Installing the anti-tip bracket:

1. Ensure that the electrical connection is in the correct position.
2. Assemble the bracket.



3. Align the base of the hook of the bracket with the base on the slot of the rear wall fastening bracket. Align the base of the fastening bracket with the floor and tighten the screws to fix the measurements.

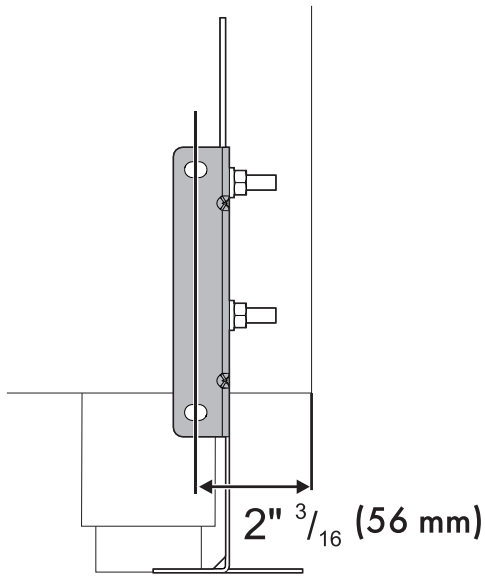


4. For wall mounting, go to steps 5, 6, 9 and 10. For floor mounting, to steps 7, 8, 9 and 10.

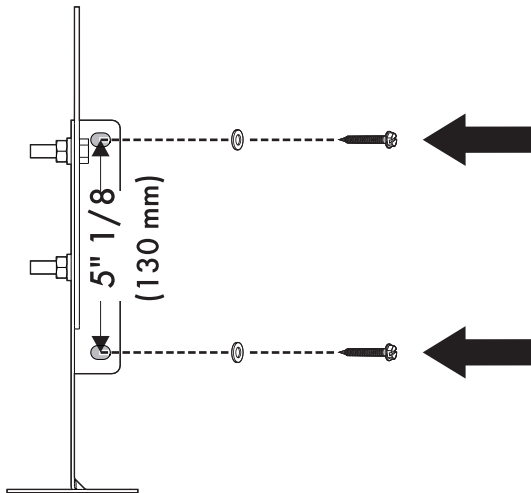
**NOTE:** The wall attachment is recommended if the appliance is placed against a wall. Floor attachment is recommended in case of island installation.

# 36" FULL GAS RANGE INSTALLATION INSTRUCTIONS

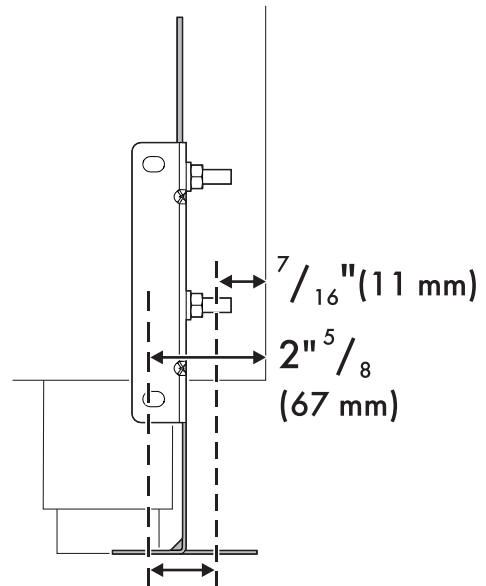
5. Use the specified distance from the side of the appliance to the bracket holes.



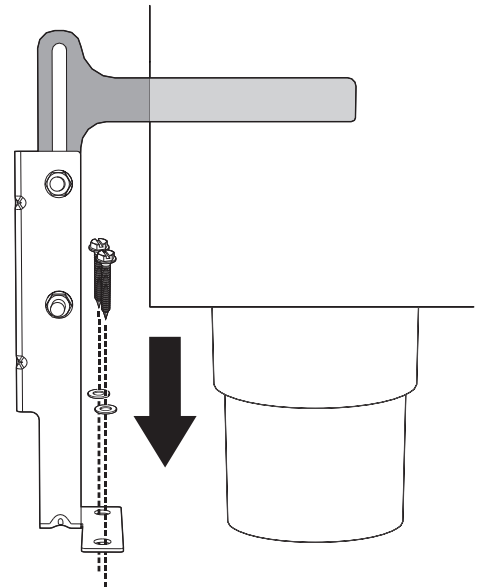
6. Move the bracket to the wall and fix with the two washers and screws. A qualified technician must verify the suitability of the materials in accordance with the type and condition of the wall.



7. Use the following distances for the distance from the side of the appliance to the bracket holes.

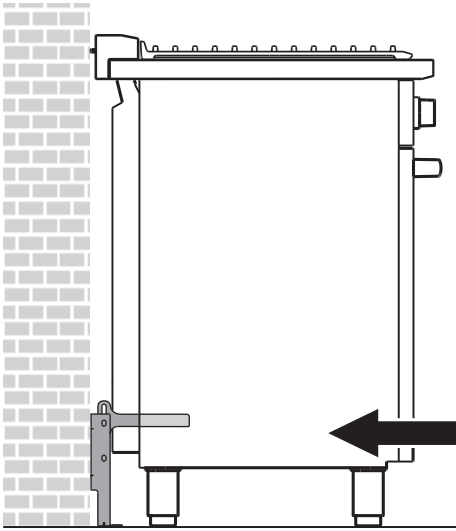


8. After having positioned and leveled the appliance, move the bracket close to the rear of the appliance and anchor it to the floor using the two washers and screws. A qualified technician must verify the suitability of the materials in accordance with the type and condition of the floor.



# 36" FULL GAS RANGE INSTALLATION INSTRUCTIONS

9. Push the cooker towards the wall, and at the same time, insert the bracket in the plate that is fastened to the rear of the appliance.



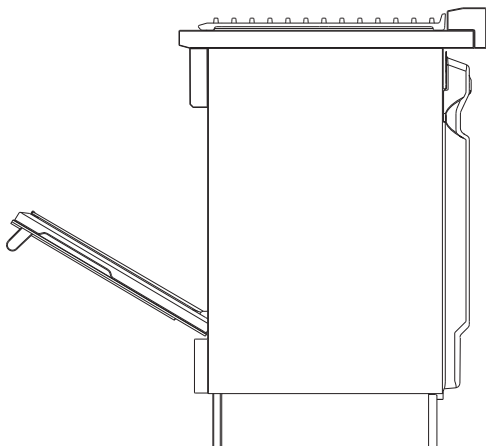
**⚠ WARNING** The rear vent trim has 3/16" (5 mm) standoffs to keep the appliance slightly away from the back wall. Do not remove or tamper with standoffs due to potential temperature issues.

10. Check for proper installation and use of the anti-tip bracket. Carefully tip the range forward by pulling it from the back to ensure that the anti-tip bracket engages the range leg and prevents tip-over. The range should not move more than 1" (2.5cm).

## Door removal

---

It is not necessary to remove the door in order to install the range, but is an added convenience. Refer to the Use and Care Guide for the oven door removal instructions.



# INSTRUCTIONS D'INSTALLATION CUISINIÈRE À GAZ 36"

**L'INSTALLATION ET L'ENTRETIEN DOIVENT ÊTRE EFFECTUÉS PAR UN INSTALLATEUR QUALIFIÉ.**

**IMPORTANT : À CONSERVER POUR L'USAGE DES INSPECTEURS DES RÉSEAUX ÉLECTRIQUES LOCAL.**

**LISEZ ET CONSERVEZ CES INSTRUCTIONS À TITRE DE RÉFÉRENCE ULTÉRIEURE.**

**⚠ AVERTISSEMENT** POUR VOTRE SÉCURITÉ : N'entreposez pas ou n'utilisez pas d'essence ou d'autres vapeurs inflammables ou de liquides à proximité de cet appareil ou d'autres appareils.

## Table des matières

### CONSIGNES DE SÉCURITÉ IMPORTANTES

22

Dimensions du produit..... 24

Dégagements des cabinets..... 24

Emplacement des prises de gaz et d'électricité  
25

Installation du dossieret ..... 25

Installation de la plinthe avant/latérale ..... 25

Installation de la poignée de la porte..... 26

Installation de l'îlot..... 27

Déballage, déplacement et positionnement de la  
cuisinière ..... 27

Branchement électrique ..... 29

Sécurité du gaz .....30

Raccordement du gaz.....30

Conversion au gaz propane (GPL) .....33

Fixation au mur et au sol.....37

Retrait de la porte .....40

### Important Notes to the Installer

1. Lisez toutes les instructions contenues dans ces instructions d'installation avant d'installer la cuisinière.
2. Retirez tout le matériel d'emballage du four et les compartiments du tiroir avant de brancher l'alimentation électrique et de gaz à la cuisinière.
3. Respectez tous les codes et les ordonnances en vigueur. Soyez certain de laisser ces instructions au consommateur.

### Remarque importante au client

Conservez ces instructions avec votre manuel du propriétaire pour une référence future.

**⚠ AVERTISSEMENT** Si les instructions qui sont contenues dans ce manuel ne sont pas suivies avec précision, un incendie ou une explosion peuvent se produire et causer des dommages à la propriété, des lésions corporelles ou la mort.

#### POUR VOTRE SÉCURITÉ :

- N'entreposez pas ou n'utilisez pas d'essence ou d'autres vapeurs inflammables ou de liquides à proximité de cet appareil ou d'autres appareils.

#### QUOI FAIRE SI VOUS SENTEZ DU GAZ :

- Ne pas essayer d'allumer aucun appareil.
- Ne touchez pas les interrupteurs électriques; n'utilisez aucun téléphone dans le bâtiment.
- Appelez immédiatement le fournisseur de gaz avec le téléphone du voisin. Suivez les instructions du fournisseur de gaz.
- À défaut de joindre votre fournisseur de gaz, appeler les pompiers.

**L'INSTALLATION ET L'ENTRETIEN DOIVENT ÊTRE EFFECTUÉS PAR UN INSTALLATEUR QUALIFIÉ, UNE AGENCE DE SERVICE OU LE FOURNISSEUR DE GAZ.**

À noter : Pour les appareils installés dans l'État du Massachusetts, allez à la page 30.

À noter : Lorsqu'il fonctionne à des altitudes supérieures à 2000 pi au-dessus du niveau de la mer, la puissance nominale de l'appareil doit être réduite de 4 pour cent pour chaque tranche de 1000 pi supplémentaires.

## CONSIGNES DE SÉCURITÉ IMPORTANTES

Ce manuel contient des instructions et des symboles de sécurité importants. Veuillez faire attention à ces symboles et suivre toutes les instructions fournies.

**⚠ AVERTISSEMENT** Ce symbole vous alertera de situations susceptibles de causer des blessures graves, la mort ou des dommages matériels.

**⚠ PRÉCAUTION** Ce symbole vous alertera de situations susceptibles de causer des blessures ou des dommages matériels.

L'installation de cette cuisinière doit être conforme aux codes locaux ou, en l'absence de codes locaux, au National Fuel Gas Code ANSI Z223.1/NFPA 54-dernière édition ou aux normes CAN/CGAB149.1 et CAN/CGA-B149.2.

Lorsqu'elle est installée dans une maison préfabriquée (mobile), l'installation doit être conforme à la norme sur la construction et la sécurité des maisons préfabriquées, Titre 24 CFRR, partie 3280 [anciennement la norme fédérale pour la construction et la sécurité des maisons mobiles, Titre 24, HUD (Partie 280)], ou si cette norme n'est pas applicable, à la norme pour l'installation des maisons préfabriquées, ANSI/NCSBCS A.225.1, ou aux codes locaux aux États-Unis ou à l'ANSI Z225.1/NFPA 501A-dernière édition, ou au CAN/CSAZ240MH au Canada.

Cette cuisinière a été certifiée par CSA International. Comme pour tout appareil utilisant du gaz et produisant de la chaleur, vous devez suivre certaines précautions de sécurité. Vous les trouverez dans le Guide d'utilisation et d'entretien, veuillez le lire attentivement.

- **Assurez-vous que votre cuisinière est correctement installée et mise à la terre par un installateur qualifié ou un technicien d'entretien.**
- **Cette cuisinière doit être mise à la terre conformément aux codes locaux ou, en leur absence, au National Electrical Code ANSI/NFPA No.70 - dernière édition aux États-Unis ou au CSA Standard C22.1, Canadian Electrical Code, Part 1, au Canada.** Voir les Consignes de mise à la terre dans la section Exigences électriques de ces instructions d'installation.
- Avant d'installer la cuisinière dans une zone recouverte de linoléum ou de tout autre revêtement de sol synthétique, assurez-vous que le revêtement de sol peut résister à une chaleur d'au moins 90 °F au-dessus de la température ambiante sans rétrécir, se déformer ou se décolorer. N'installez pas la cuisinière sur de la moquette à moins de placer un tampon isolant ou une feuille de contreplaqué de ¼" (10,16cm) d'épaisseur entre la cuisinière et la moquette.

- Assurez-vous que les revêtements muraux autour de la cuisinière peuvent résister à la chaleur générée par la cuisinière.
- N'obstruez pas la circulation de l'air de combustion au niveau de l'évent du four, autour de la base ou sous le panneau avant inférieur de la cuisinière. Évitez de toucher les ouvertures de ventilation ou les surfaces voisines, car elles peuvent devenir chaudes lorsque le four fonctionne. Cette cuisinière nécessite de l'air frais pour une bonne combustion du brûleur.
- Des rideaux d'air ou d'autres hottes de cuisinière au-dessus, qui fonctionnent en soufflant de l'air vers le bas sur une cuisinière, ne doivent pas être utilisés avec les cuisinières à gaz, à moins que la hotte et la cuisinière aient été conçues, testées et certifiées par un laboratoire d'essai indépendant pour une utilisation combinée.

**⚠ AVERTISSEMENT** Ne laissez jamais les enfants seuls ou sans surveillance dans la zone où un appareil est utilisé. Au fur et à mesure que les enfants grandissent, apprenez-leur à utiliser tous les appareils correctement et en toute sécurité. Ne laissez jamais la porte du four ouverte lorsque la cuisinière est sans surveillance.

**⚠ PRÉCAUTION** Marcher, s'appuyer ou s'asseoir sur les portes ou les tiroirs de cette cuisinière pourrait entraîner des blessures graves et pourrait également endommager la cuisinière.

- N'entreposez pas d'objets d'intérêt pour les enfants dans les cabinets au-dessus de la cuisinière. Les enfants pourraient être gravement brûlés s'ils grimpent sur la cuisinière pour atteindre des objets.
- Pour éliminer la nécessité d'atteindre les brûleurs de surface, évitez de placer un cabinet de rangement au-dessus de ceux-ci.
- Ajustez la taille de la flamme du brûleur de surface afin qu'elle ne dépasse pas le bord de l'ustensile de cuisson. Une taille de flamme excessive est dangereuse.
- N'utilisez pas le four comme espace de rangement. Cela crée une situation potentiellement dangereuse.
- N'utilisez jamais votre cuisinière pour réchauffer ou chauffer une pièce. L'utilisation prolongée de la cuisinière sans une ventilation adéquate peut être dangereuse.
- N'entreposez pas ou n'utilisez pas d'essence ou d'autres vapeurs inflammables et de liquides à proximité de cet appareil ou d'autres appareils. Des explosions ou des incendies pourraient en résulter.

# INSTRUCTIONS D'INSTALLATION CUISINIÈRE À GAZ 36"

- En cas de coupure de courant électrique, les brûleurs de surface peuvent être allumés manuellement. Pour allumer un brûleur de surface, maintenez une allumette allumée sur la tête du brûleur et tournez lentement le bouton de commande de surface sur LITE. Soyez prudent lorsque vous allumez manuellement les brûleurs de surface.
- Contrairement à la cuisinière à gaz standard, CETTE TABLE DE CUISSON N'EST PAS AMOVIBLE. N'essayez pas de retirer la table de cuisson.

**AVERTISSEMENT** N'essayez pas de réparer, de remplacer ou de retirer une pièce de l'appareil, à moins que cela ne soit spécifiquement recommandé dans les manuels. Une installation ou un entretien inappropriés peut entraîner des blessures ou des dommages matériels. Reportez-vous à ce manuel pour obtenir des conseils. Tout autre entretien devrait être effectué par un fournisseur de service autorisé.

- L'appareil ne doit être utilisé que s'il est installé par un technicien qualifié conformément à ces instructions d'installation, et à toutes les réglementations et codes applicables. Le fabricant n'est pas responsable des dommages résultant d'une installation incorrecte.
- Ne modifiez ou n'altérez jamais l'appareil. Par exemple, ne retirez pas les pieds de mise à niveau, panneaux, les couvercles de fils ou les vis et les pattes anti-basculement.
- Pour éliminer tout risque de feu ou de brûlures en déplaçant des objets au-dessus des surfaces chaudes, évitez de placer des espaces de rangement au-dessus de ces dernières. Si un cabinet de rangement doit être fourni, le risque peut être réduit en installant une hotte qui dépasse horizontalement un minimum de 5 pouces (127 mm) au-delà du fond des cabinets. Assurez-vous que les cabinets au-dessus de la table de cuisson aient une profondeur maximale de 13" (330 mm).

## AVERTISSEMENT



## Risque de basculement

- Un enfant ou une personne adulte pourrait faire basculer la cuisinière et être tué.
- Installez le dispositif anti-basculement sur le sol ou le mur selon les instructions d'installation.
- Fixez la cuisinière avec le dispositif anti-basculement conformément aux instructions d'installation.
- Assurez-vous que le dispositif anti-basculement est ré-enclenché lorsque la cuisinière est déplacée.
- Ne pas mettre en marche la cuisinière sans le dispositif anti-basculement en place et enclenché.
- Le non-respect de ces consignes peut causer la mort ou des brûlures graves pour les enfants et les adultes.



Pour vérifier si le support anti-basculement est correctement installé, utilisez les deux bras et saisissez le bord arrière de la cuisinière. Essayez avec précaution d'incliner la cuisinière vers l'avant. Lorsqu'elle est correctement installée, la cuisinière ne doit pas s'incliner vers l'avant.

Reportez-vous aux instructions d'installation du support anti-basculement fournies avec votre cuisinière pour une installation correcte.

## Codes et normes de sécurité

Cet appareil est conforme à une ou plusieurs des normes suivantes :

- ANSI Z21.1/CSA 1.1 Appareils domestiques de cuisson au gaz.

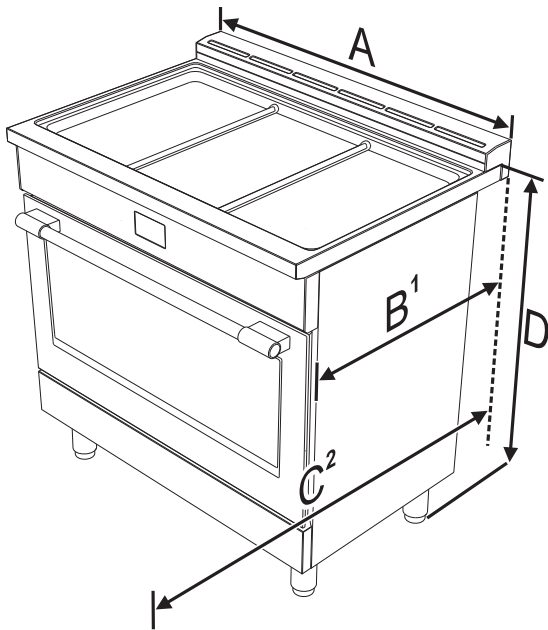
Il est de la responsabilité du propriétaire et de l'installateur de déterminer si des exigences supplémentaires et/ou

des normes s'appliquent aux installations spécifiques.

L'installation doit être conforme aux codes locaux ou, en l'absence de codes locaux, au National Fuel Gas Code ANSI Z223.1/NFPA 54 ou, au Canada, au Natural Gas and Propane Installation Code, CSA B149.1. L'appareil doit être mis à la terre électriquement conformément aux codes locaux ou, en l'absence de codes locaux, au National Electrical Code, NFPA 70 dernière édition ou, au Canada, au Canadian Electric Code, CSA C22.1-02.

# INSTRUCTIONS D'INSTALLATION CUISINIÈRE À GAZ 36"

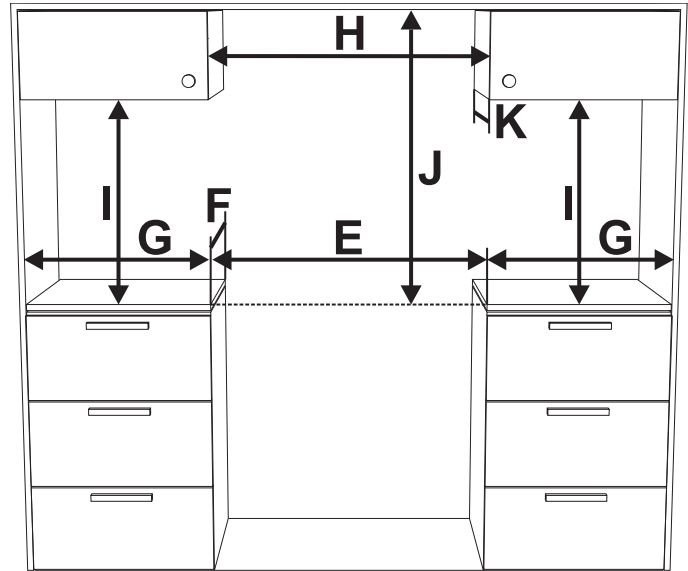
## Dimensions du produit



<b>A</b>	912.4 mm	35 15/16"
<b>B<sup>1</sup></b>	min: 654 mm max: 658 mm	min: 25 3/4" max: 25 7/8"
<b>C<sup>2</sup></b>	1116 mm	43 15/16"
<b>D</b>	min: 903 mm max: 929 mm	min: 35 9/16" max: 36 9/16"

1. La mesure **B** varie selon le modèle : le minimum est obtenu sans les entretoises arrière (voir « Installation de l'îlot ») et le maximum est obtenu pour une installation traditionnelle (installation encastrée - avec les entretoises arrière).
2. La mesure **C** fait référence à la porte ouverte.

## Dégagements des cabinets



<b>E</b>	min. 914 mm	min. 36"
<b>F</b>	628 mm	24" 5/8
<b>G</b>	min. 508 mm	min. 20"
<b>H</b>	min. 914 mm	min. 36"
<b>I</b>	min. 457 mm	min. 18"
<b>J</b>	voir remarques ci-dessous	
<b>K</b>	max. 330 mm	max. 13"

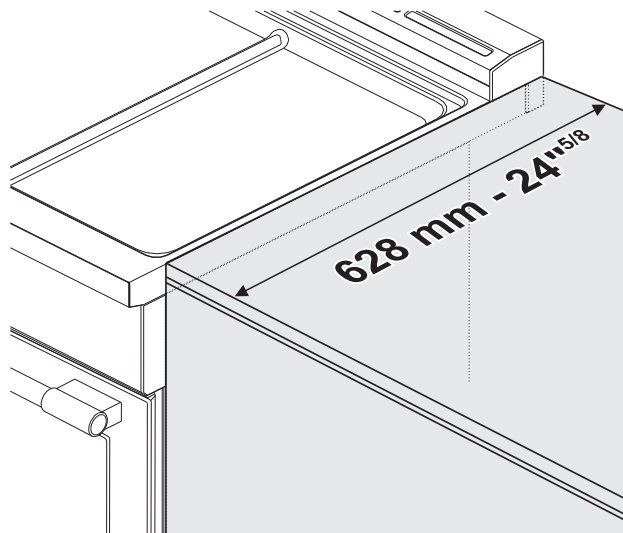
Le dégagement **J** peut avoir les valeurs suivantes :

- **J = 42" / 1067 mm** minimum de dégagement entre le dessus de la surface de cuisson et le fond du cabinet en bois ou en métal non protégé.
- **J = 30" / 762 mm** minimum lorsque le dessous du cabinet en bois ou en métal est protégé par un retardateur de flamme d'au moins de 1/4 pouces d'épaisseur recouvert d'une feuille d'acier d'au moins que No. 28 MSG, 0,015 pouce d'épaisseur d'acier inoxydable, 0,024 pouce d'épaisseur en aluminium ou 0,020 pouce d'épaisseur en cuivre. Les dégagements des matériaux non-combustibles ne font pas partie de la norme ANSI Z21.1 et ne sont pas certifiés CSA. Les dégagements de moins de 30" devraient être approuvés pas les codes locaux et / ou par l'autorité locale compétente.

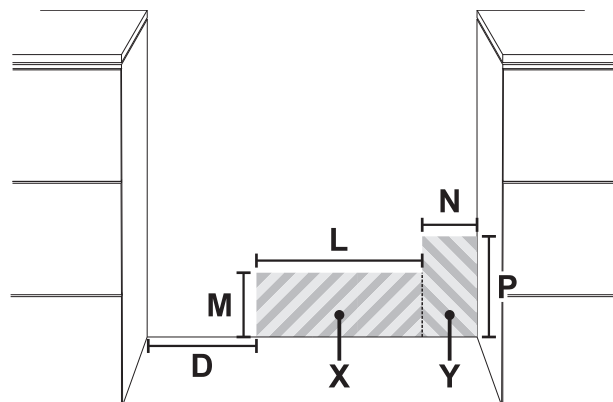


# INSTRUCTIONS D'INSTALLATION CUISINIÈRE À GAZ 36"

La profondeur du cabinet latéral (dégagement **A**) doit correspondre au bord avant du panneau latéral de la cuisinière :



## Emplacement des prises de gaz et d'électricité



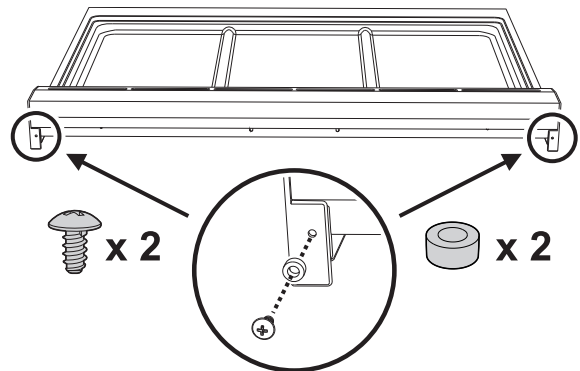
<b>D</b>	Min : 11" 7/8	Min : 300 mm
Prise de mise à la terre (X)	<b>L</b> Min : 11" 7/8 Max : 18" 2/8	Min : 300 mm Max : 462 mm
	<b>M</b> Min : 2" Max : 9" 7/8	Min : 51 mm Max : 250 mm
Tuyau d'alimentation de gaz (Y)	<b>N</b> Min : 2" Max : 6"	Min : 51 mm Max : 152 mm
	<b>P</b> Min : 2" Max : 10" 7/8	Min : 51 mm Max : 275 mm

## Installation du dossieret

Le dossieret fourni fait partie intégrante de l'appareil; il doit toujours être positionné et bien sécurisé sur la table de cuisson.

Vous pouvez trouver les instructions de montage du dossieret sur la feuille d'instructions fournie.

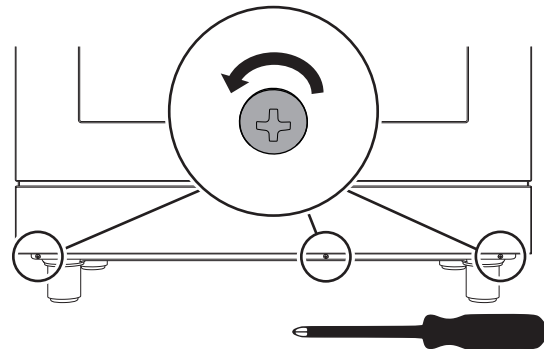
Une fois le dossieret fixé à l'appareil, vous devez insérer les vis et les entretoises fournies qui sont nécessaires pour l'installation par encoche.



## Installation de la plinthe avant/latérale

La plinthe avant doit toujours être correctement positionnée et fixée à l'appareil.

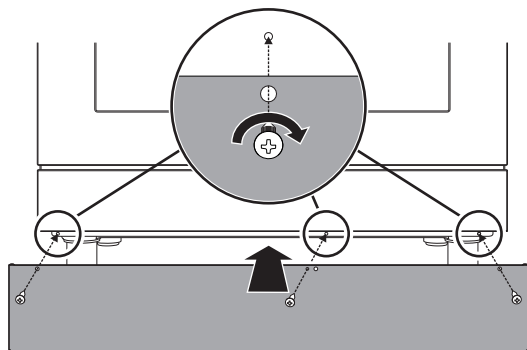
1. Utilisez un tournevis pour retirer les vis avant.



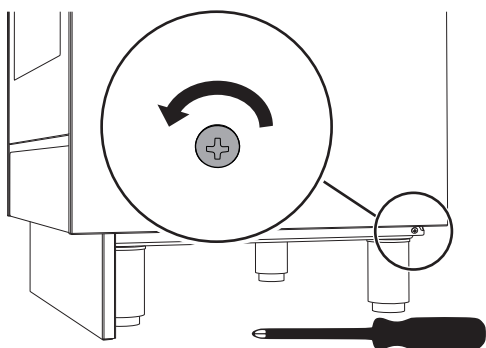
2. Positionnez la plinthe avant au bas de l'appareil et alignez les trous au côté de la plinthe avec les trous sur la base de l'appareil.

# INSTRUCTIONS D'INSTALLATION CUISINIÈRE À GAZ 36"

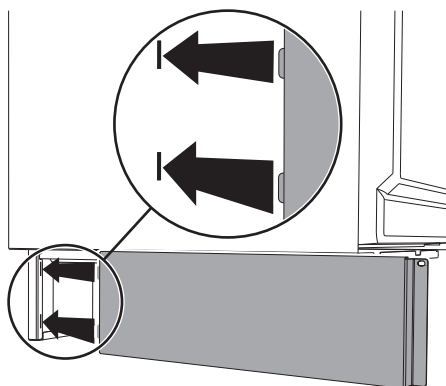
3. Fixez la plinthe avant à l'appareil à l'aide des vis précédemment retirées.



4. Une fois la plinthe avant installée, la plinthe latérale peut être correctement fixée à l'appareil. Utilisez un tournevis pour retirer les vis latérales.

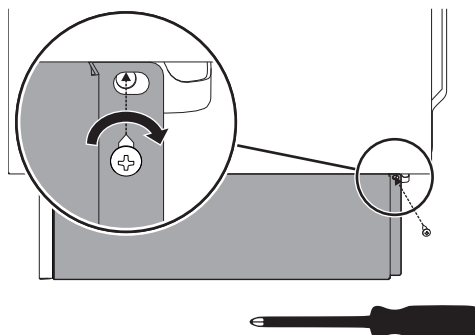


5. Insérez les languettes de la plinthe latérale dans les fentes à l'arrière de la plinthe avant.



6. Alignez le trou de la plinthe latérale au trou arrière de la base de l'appareil.

7. Fixez la plinthe latérale à l'appareil à l'aide de la vis précédemment retirée.

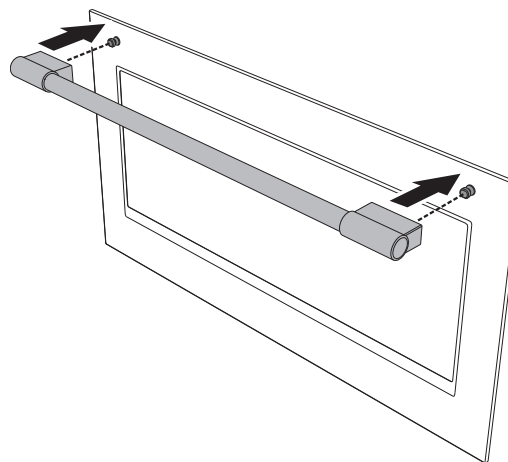


8. Répétez la procédure pour l'autre section de plinthe latérale.

## Installation de la poignée de la porte

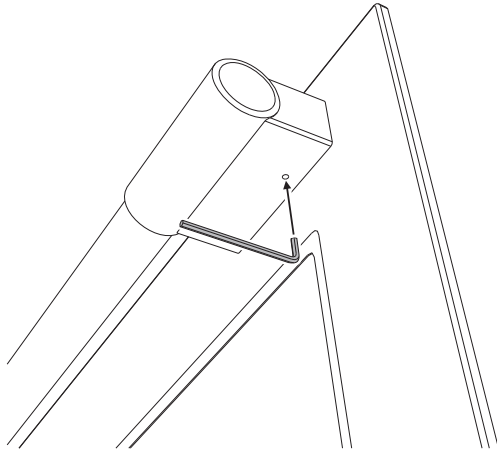
La poignée de la porte fournie n'est pas fixée à l'appareil et doit être fixée à la porte du four lors de l'installation.

1. Positionner la poignée sur les axes de fixation de la porte du four.



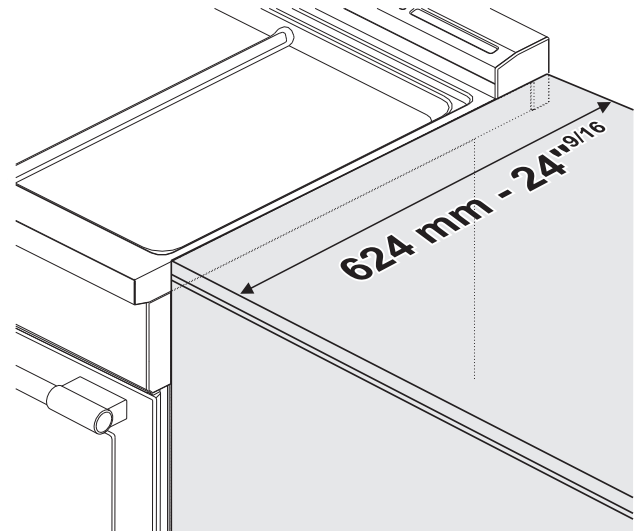
# INSTRUCTIONS D'INSTALLATION CUISINIÈRE À GAZ 36"

- Fixes la poignée en serrant le vis sous deux extrémités. Utilisez la clé Allen 3/32" fournie.



Gardez un dégagement minimum de 20" (508 mm) entre l'appareil et tout élément de meuble inflammable.

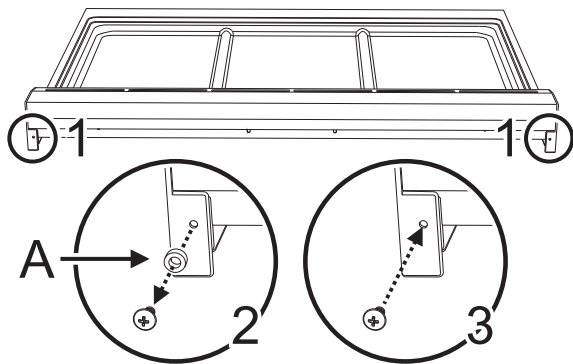
La profondeur du cabinet latéral (dégagement **A**) doit correspondre au bord avant du panneau latéral de la cuisinière :



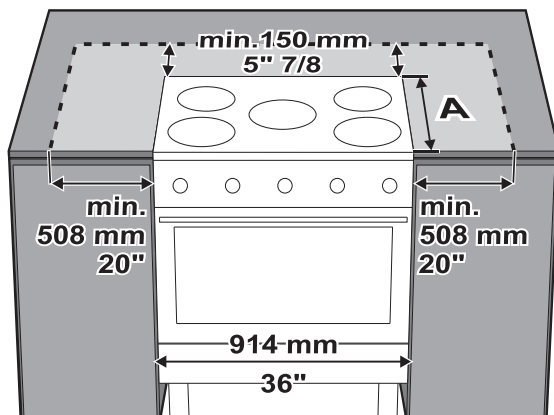
## Installation de l'îlot

Si l'appareil est installé en tant qu'îlot :

- Dévissez les vis indiquées.
- Retirez les entretoises (**A**).
- Insérez les vis précédemment retirées dans leurs sièges.



Gardez un dégagement minimum de 5 7/8" (150 mm) entre l'appareil et les autres meubles ou éléments décoratifs selon le schéma ci-dessous.



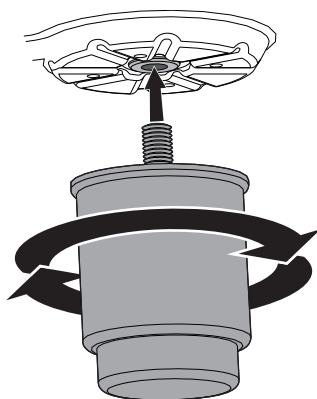
## Déballage, déplacement et positionnement de la cuisinière

**⚠ PRÉCAUTION** Cet appareil a été conçu pour la cuisson. Pour des raisons de sécurité, ne l'utilisez jamais pour chauffer la pièce ou comme chauffage d'appoint.

- Il est recommandé de retirer le panneau avant, le dossier et les grilles du four pour faciliter la manipulation. Ceci réduira le poids pour le déplacement.
- Lors du positionnement de l'appareil au moment de l'installation, n'utilisez pas la poignée de la porte pour soulever ou déplacer l'appareil.
- Portez des gants pour éviter de vous couper les doigts sur les bords tranchants lors de l'installation.
- Enlever le carton extérieur et le matériel d'emballage de la base d'expédition.
- L'appareil peut être déplacé avec un chariot manuel ou avec un chariot élévateur à pince (pas avec un chariot élévateur à fourche) uniquement s'il est encore emballé.
- Retirez tout le ruban et l'emballage avant d'utiliser l'appareil. Éliminez l'emballage après avoir déballé l'appareil. Ne laissez jamais les enfants jouer avec le matériel d'emballage.
- En raison de son poids, après avoir retiré le matériel d'emballage, déplacez-le avec l'aide d'une deuxième personne.

# INSTRUCTIONS D'INSTALLATION CUISINIÈRE À GAZ 36"

- Avant de déplacer la cuisinière, assurez-vous que les pieds soient complètement installés. Ajustez le niveau uniquement lorsque l'appareil est à son emplacement final.
- Avant de déplacer la cuisinière, assurez-vous que les pieds soient complètement installés.
- Le plancher, sous les socles, devrait être protégé (bois, morceau de carton, tapis, lambris, etc.) avant de positionner la cuisinière.
- Le dispositif anti-basculement doit être installé, les raccords électriques ainsi que les raccords pour le gaz devraient être fait avant de positionner la cuisinière à son emplacement final.
- Les socles devraient être installés près de l'emplacement où l'appareil sera utilisé, puisqu'ils ne sont pas sécurisés pour le long transit. Gardez l'appareil soulevé de manière à ce que les socles puissent être vissés dans leurs accouplements puis, doucement, descendre la cuisinière pour prévenir que les socles et montants ne soient soumis à des tensions excessives.



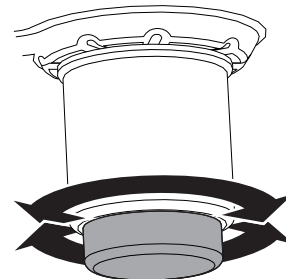
**REMARQUE :** Insérez d'abord les pieds avant puis les pieds arrière.

Voici l'ordre d'installation et de positionnement correct :

1. Installez et ajustez les pieds.
2. Installez la plinthe avant / latérale.
3. Assemblez et fixez le support anti-basculement au sol ou au mur.
4. Effectuez les branchements électriques et de gaz.
5. Déplacez la cuisinière dans sa position finale.

Pour une bonne stabilité, il est indispensable que l'appareil soit correctement nivelé au sol

- Vissez ou dévissez le pied de la partie inférieure jusqu'à ce que l'appareil soit bien nivelé et stabilisé au sol. L'ajustement des vis est de 1,37 pouce (35 mm).



**REMARQUE :** cet appareil doit seulement utiliser les montants de nivelage spécifiques fournis par le fabricant.

## Recommandations de ventilation :

- Nous recommandons fortement l'installation d'une hotte de ventilation au-dessus de cet appareil. La hotte doit être installée conformément aux instructions fournies avec la hotte.

**⚠ PRÉCAUTION** L'appareil ne doit pas être installé avec un système de ventilation qui souffle de l'air vers le bas des brûleurs. Ce type de système de ventilation peut causer des problèmes d'allumage et de combustion avec l'appareil de cuisson au gaz se traduisant par des blessures ou un fonctionnement involontaire.

# INSTRUCTIONS D'INSTALLATION CUISINIÈRE À GAZ 36"

## Branchement électrique

### **AVERTISSEMENT**



### Risque de choc électrique

- Cet appareil est équipé d'une fiche à quatre broches avec mise à la terre pour une protection contre les chocs électriques. La fiche doit être branchée à une prise avec mise à la terre. Ne coupez pas et n'enlevez pas la broche de mise à la terre de la fiche.
- La broche de mise à la terre doit être branchée sur une prise de type mise à la terre correspondante et connectée à un circuit 240 volts correctement polarisé. En cas de doute sur le fait que la prise murale est correctement mise à la terre, faites-la vérifier par un électricien qualifié.

Le non-respect de l'une des mesures ci-dessus peut entraîner un incendie, des blessures corporelles ou un choc électrique.

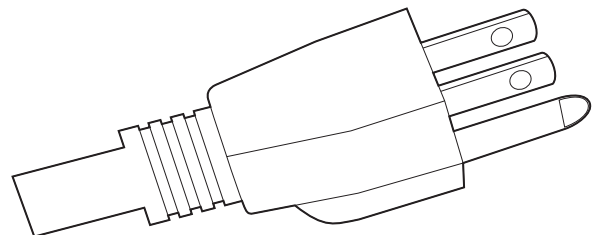
### **AVERTISSEMENT**



### Risque de choc électrique

- Cet appareil doit être mis à terre pour votre sécurité personnelle. Pour une sécurité maximale, le cordon d'alimentation doit être solidement connecté à une prise électrique ou à une boîte de jonction ayant la tension correcte, il est correctement polarisé et correctement mis à la terre, et est protégé par un disjoncteur conformément aux codes locaux.
- Il est de la responsabilité personnelle du consommateur de faire installer la prise ou la boîte de jonction appropriée avec la prise murale correcte et correctement mise à la terre par un électricien qualifié. Il est de la responsabilité et de l'obligation du consommateur de communiquer avec un installateur qualifié pour s'assurer que l'installation électrique est appropriée et conforme à tous les codes et règlements locaux.

Cette cuisinière est équipée d'un cordon d'alimentation branché en usine. Le cordon doit être branché à une prise de 120/240 volts ou 120/208 volts mise à la terre. Si aucune prise n'est disponible, faites-en installer une par un électricien qualifié.



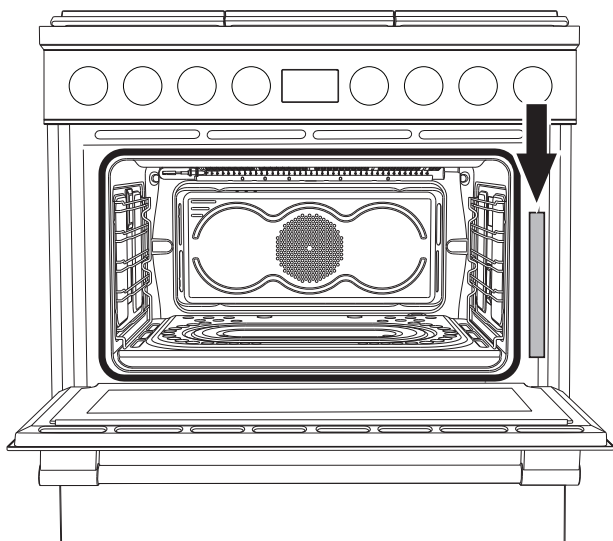
### **PRÉCAUTION**

N'utilisez pas plusieurs prises, rallonges ou adaptateurs.

Voir la plaque signalétique pour les spécifications techniques. La plaque signalétique est visiblement située du côté droit du cadre de la porte du four.

# INSTRUCTIONS D'INSTALLATION CUISINIÈRE À GAZ 36"

Cette plaque d'identification ne devrait jamais être enlevée.



## Sécurité du gaz

**⚠ AVERTISSEMENT** La combustion de combustible de cuisson au gaz génère certains sous-produits qui figurent sur la liste des substances reconnues par l'État de Californie comme étant cancérigènes ou nocives pour la reproduction. Pour minimiser l'exposition à ces substances, faites toujours fonctionner cet appareil conformément aux instructions contenues dans ce manuel et assurez une bonne ventilation.

Installez un robinet d'arrêt de gaz près de l'appareil. Il doit être facilement accessible en cas d'urgence.

Les tests d'étanchéité doivent être effectués par l'installateur conformément aux instructions de ce manuel. L'appareil ainsi que la vanne d'arrêt individuelle devraient être débranchés du système d'approvisionnement en gaz pendant n'importe quel test de pression lorsque la pression dépasse ½ psi (3,5 Kpa).

L'appareil doit être isolé de l'alimentation en gaz en fermant ses valves manuelles de fermeture correspondantes durant tout test de pression du système d'alimentation en gaz à des pressions égales ou inférieures à ½ psi (3,5 Kpa). La pression d'alimentation minimale doit être de 1" de colonne d'eau au-dessus de la pression d'admission imprimée sur l'étiquette signalétique. La pression d'alimentation maximale de 14,0 pouces de colonne d'eau (34,9 millibars) ne doit pas dépasser.

**REMARQUE IMPORTANTE DE SÉCURITÉ :** La combustion de combustible de cuisson au gaz génère certains sous-produits qui figurent sur la liste des substances reconnues par l'État de Californie comme cancérigènes ou nocives pour la reproduction. Pour minimiser l'exposition à ces substances, faites toujours fonctionner cet appareil conformément aux instructions contenues dans ce manuel et assurez une bonne ventilation.

**⚠ AVERTISSEMENT** Déclaration de l'avertissement sur la proposition 65 de l'État de la Californie :

Ce produit pourrait contenir des substances chimiques reconnues par l'État de Californie comme cancérigènes ou nocives pour la reproduction. Par conséquent, l'emballage de votre produit peut porter l'étiquette suivante comme l'exige la Californie. Pour obtenir plus de renseignements, consultez l'adresse [www.P65Warnings.ca.gov](http://www.P65Warnings.ca.gov)

## Installation de gaz propane

Le réservoir de gaz propane doit être équipé de son propre régulateur haute pression. De plus, le régulateur fourni avec cet appareil doit également être utilisé. À la sortie de l'usine, l'appareil est réglé pour l'utilisation avec le gaz naturel. Il doit être converti pour être utilisé avec du propane. La conversion doit être effectuée par un technicien ou un installateur qualifié. Cet appareil a été certifié pour un fonctionnement sûr jusqu'à une hauteur de 10 000 pi. Exception : Pour l'utiliser avec du gaz propane, l'appareil doit être converti conformément aux instructions de conversion au propane.

### Pour l'installation au Massachusetts :

- L'installation doit être effectuée par un entrepreneur qualifié et accrédité, un plombier ou un technicien du gaz qualifié et accrédité auprès de l'État, de la Province ou de la région où l'appareil sera installé.
- La valve de fermeture doit être munie d'une poignée en « T ».
- La longueur du connecteur de gaz flexible ne doit pas dépasser 36 pouces.

Installateur - montrez au propriétaire où le robinet d'arrêt de gaz se trouve.

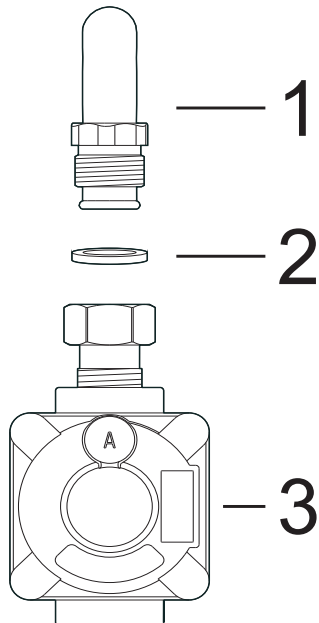
## Raccordement du gaz

À la sortie de l'usine, l'appareil est réglé pour l'utilisation avec le gaz naturel à une pression de 5" de colonne d'eau. Lors de la vérification du bon fonctionnement du régulateur, la pression d'entrée doit être d'au moins 1" supérieure à la pression de fonctionnement (collecteur) ci-dessus. Lorsqu'il est utilisé avec du gaz naturel, la pression fournie au régulateur doit être comprise entre 6" et 10,5" de la colonne d'eau.



# INSTRUCTIONS D'INSTALLATION CUISINIÈRE À GAZ 36"

Pour convertir l'appareil au gaz propane, voir «Conversion au gaz propane (GPL)». La conversion doit être effectuée par un technicien ou un installateur qualifié. Utilisez un tuyau de gaz flexible d'une longueur d'au moins 5 pi (1,5 m). L'entrée de gaz de l'appareil est située à l'arrière droit de l'appareil. Installez le régulateur de pression (fourni avec l'appareil) sur l'entrée de gaz. Installez le joint (fourni avec l'appareil) entre l'entrée et le régulateur. Positionnez le régulateur de manière à ce que le capuchon D soit facilement accessible. Serrez l'écrou sur l'entrée de gaz de manière à ce qu'il soit serré à la main plus 1/3 de tour. Raccordez le tuyau de gaz au régulateur à l'aide d'un ruban Téflon ou d'un composé à joint de tuyau (résistant au gaz propane et au gaz naturel). Tournez de manière à ce qu'il soit serré à la main plus 1/3 de tour. Ne dépassez pas 1 tour pour l'alignement, pour éviter d'endommager le régulateur de pression de gaz.



- 1 Entrée de gaz (fixée à l'appareil).
- 2 Joint.
- 3 Régulateur de pression.

**⚠ PRÉCAUTION** Ne laissez pas le régulateur tourner sur le tuyau lors du serrage des raccords.

**⚠ AVERTISSEMENT** N'essayez pas de régler le régulateur de pression, sauf lors de la conversion au propane. Les ajustements peuvent entraîner des fuites ou une pression de gaz incorrecte fournie à l'appareil.

## Tableaux techniques des brûleurs et des injecteurs

Brûleurs de la table de cuisson:

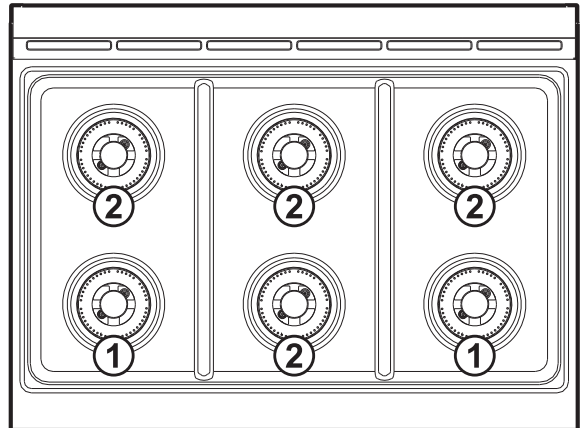


Tableau de puissance et de dérivation du brûleur

N° du brûleur	1	2
Puissance max. (BTU)	18000	12000
Puissance min. (BTU)	750	750
Dérivation (mm)	75 / 26	55 / 26

Tableau des injecteurs de gaz naturel (Pression en W.C.P. : 5")

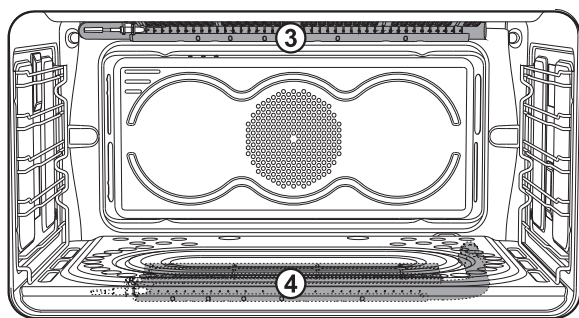
N° du brûleur	1	2
Numéro de l'injecteur ext.	180	135
Numéro de l'injecteur int.	75	75

# INSTRUCTIONS D'INSTALLATION CUISINIÈRE À GAZ 36"

Tableau des injecteurs de GPL (Pression en W.C.P. : 10")

N° du brûleur	1	2
Numéro de l'injecteur ext.	115	91
Numéro de l'injecteur int.	48	48

## Brûleurs de la cavité du four:



3: Brûleur du grill à gaz

4: Brûleur du four

Tableau de puissance des brûleurs du grill à gaz et du four

N° du brûleur	3	4
Puissance (BTU)	14000	17000

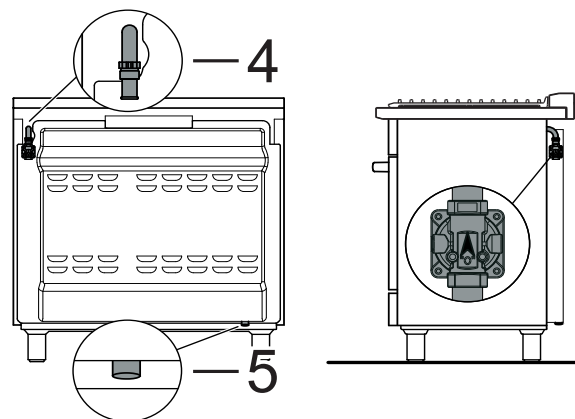
Tableau des injecteurs de gaz naturel (Pression en W.C.P. : 5")

N° du brûleur	3	4
Numéro de l'injecteur	165	180

Tableau des injecteurs de GPL (Pression en W.C.P. : 10")

N° du brûleur	3	4
Numéro de l'injecteur	110	117

## Emplacement des branchements électriques et de gaz de l'appareil



4 Raccordement du gaz

5 Branchement électrique

Raccordez la conduite d'alimentation en gaz au régulateur de pression de l'appareil à l'aide d'un connecteur de conduite de gaz flexible de 1/2" entre le robinet d'arrêt manuel et le régulateur de pression. Une conduite flexible en métal ou un tuyau métallique fixe doit être utilisé pour connecter le gaz à l'appareil. Si une conduite de gaz métallique ne peut pas être utilisée, consultez votre électricien local certifié ou les codes électriques locaux pour une mise à la terre appropriée.

Vérifiez les connexions de la conduite d'alimentation pour détecter les fuites à l'aide d'une solution savonneuse ou d'un liquide de détection de fuites non corrosif. N'utilisez aucune flamme d'aucune sorte.

**AVERTISSEMENT** Installez un robinet d'arrêt de gaz près de l'appareil. Après l'installation, il doit être facilement accessible en cas d'urgence.

1. Allumez le gaz.
2. Appliquez une solution savonneuse ou un liquide de détection de fuites non corrosif sur tous les joints et raccords du raccordement de gaz entre le robinet d'arrêt et la table de cuisson. Incluez les raccords de gaz et les joints dans la table de cuisson si les branchements peuvent avoir été perturbés pendant l'installation. Des bulles apparaissant autour des raccords et des connexions indiquent une fuite.
3. Si vous détectez une fuite, fermez le robinet d'arrêt de gaz de la conduite d'alimentation et serrez les raccords.
4. Revérifiez les fuites en tournant le robinet d'arrêt de la conduite d'alimentation en gaz. Une fois le contrôle d'étanchéité terminé (aucune bulle n'apparaît), le test est terminé.
5. Essuyez tous les résidus de solution savonneuse ou de liquide de détection.



# INSTRUCTIONS D'INSTALLATION CUISINIÈRE À GAZ 36"

## Remarques importantes pour le raccordement du gaz :

- L'appareil et sa vanne d'arrêt de gaz doivent être déconnectés du système de tuyau d'alimentation durant les tests de pression sur le système à des pressions de test supérieures à 1/2 psi (3,5 kPa).
- L'appareil doit être isolé du système d'alimentation en gaz en fermant ses valves manuelles de fermeture individuelles pendant le test de pression du système d'alimentation en gaz à des pressions égales ou inférieures à 1/2 psi (3,5 kPa).

## Test de fuites de gaz

**⚠ AVERTISSEMENT** N'utilisez jamais de flamme pour vérifier des fuites de gaz.

Des tests de fuite de gaz doivent être effectués avant de tester l'allumage électrique des brûleurs :

1. Ouvrez l'alimentation de gaz.
2. Appliquez un liquide de détection de fuites non corrosif (par ex. de l'eau savonneuse) sur tous les joints et les conduits.
3. Si des bulles apparaissent, cela signifie qu'il y a une fuite. Coupez l'alimentation en gaz et serrez les connexions.
4. Revérifiez les fuites. Si aucune bulle n'apparaît, le test est réussi. Essuyez tous les résidus de liquide de détection.

## Test de l'allumage électrique du brûleur


Ce test doit être effectué après que les connecteurs de la cuisinière et de la ligne d'alimentation ont été soigneusement vérifiés pour détecter les fuites et la cuisinière connectée à l'alimentation électrique :

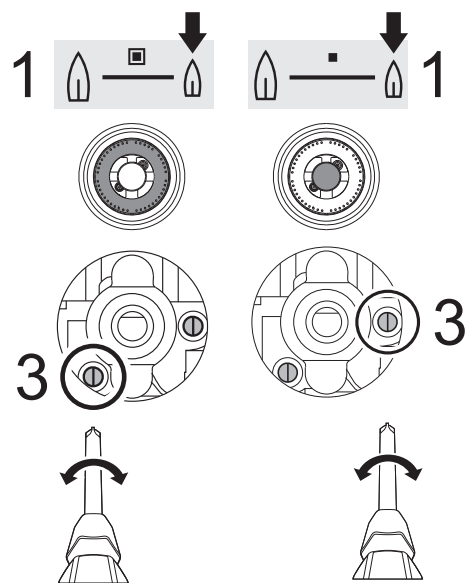
1. Enfoncez et tournez chaque bouton de contrôle jusqu'à la position flamme maximum. Vous entendrez les étincelles de l'allumeur.
2. Le brûleur de surface devrait s'allumer lorsque du gaz est fourni aux brûleurs de la table de cuisson. Chaque brûleur doit s'allumer dans les quatre (4) secondes, après que l'air a été purgé des conduites d'alimentation. Vérifiez visuellement que le brûleur soit allumé.
3. Une fois le brûleur allumé, le bouton de commande doit être tourné hors de la position de flamme basse.
4. Il existe des dispositifs d'allumage séparés pour chaque brûleur. Essayez chaque bouton séparément et ensemble jusqu'à ce que toutes les vannes de brûleur aient été vérifiées.

## Réglage minimum du gaz

Étant donné que tous les brûleurs de la table de cuisson sont du type à double flamme, le réglage minimum du gaz doit être ajusté pour les anneaux extérieur et intérieur.

Ces instructions se réfèrent à un seul brûleur. Répétez ce qui suit pour chaque brûleur de la table de cuisson.

1. Appuyez sur le bouton de commande du brûleur et allumez-le à la position minimale .
2. Retirez le bouton de commande du brûleur, ainsi que le ressort conique et l'anneau du bouton.
3. Serrez ou desserrez les vis en surbrillance pour régler la hauteur minimale de la flamme.



## Conversion au gaz propane (GPL)

### ⚠ AVERTISSEMENT

- Avant de procéder à la conversion au gaz, fermez l'alimentation en gaz avant de débrancher l'alimentation électrique.
- Un test de fuite de gaz doit être effectué après la conversion du gaz.

### Fournissez toujours une alimentation en gaz adéquate.

À la sortie de l'usine, cet appareil est réglé pour l'utilisation avec le gaz naturel. Utilisez cette trousse pour convertir l'appareil pour une utilisation avec du gaz propane, si nécessaire. Respectez les conditions suivantes : Assurez-vous que la cuisinière soit convertie pour une utilisation avec le gaz approprié avant de l'utiliser.

# INSTRUCTIONS D'INSTALLATION CUISINIÈRE À GAZ 36"

Cet appareil est conçu pour fonctionner à une pression de 10" de colonne d'eau lorsqu'il est utilisé avec du gaz propane. Lors de la vérification du bon fonctionnement du régulateur, la pression d'entrée doit être d'au moins 1" supérieure à la pression de fonctionnement (collecteur) ci-dessus. Lors de la conversion pour une utilisation avec du gaz propane, la pression fournie au régulateur doit être comprise entre 11" et 13" de la colonne d'eau.

Le régulateur de pression situé à l'entrée du collecteur de la cuisinière doit rester dans la conduite d'alimentation. Utilisez un connecteur d'appareil métallique flexible ou un tuyau rigide pour connecter la cuisinière à l'alimentation en gaz. Le connecteur doit avoir un diamètre intérieur de 1/2" et une longueur de 5 pi (1,5 m) ou moins.

(Exception : La longueur maximale du connecteur dans les installations du Massachusetts est de 3 pi (0,9 m). Au Canada, le connecteur doit être en métal à paroi simple et ne doit pas dépasser 6 pi (1,8 m).

Conservez les injecteurs que vous avez enlevés de l'appareil pour un usage ultérieur.

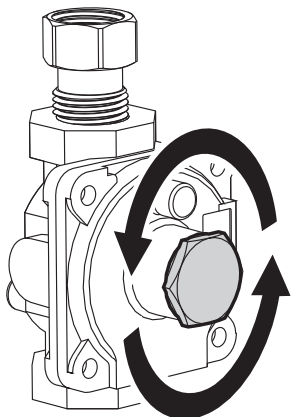
**PRÉCAUTION** Avant de procéder à la conversion au gaz, fermez l'alimentation en gaz avant de débrancher l'alimentation électrique.

## Pièces incluses avec la trousse d'injecteur de gaz propane :

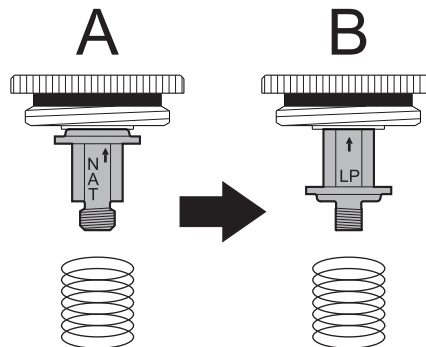
- 6 injecteurs numéro 48
- 4 injecteurs numéro 91
- 2 injecteurs numéro 115
- 1 injecteur numéro 110
- 1 injecteur numéro 117
- 1 étiquette adhésive pour les injecteurs GPL
- 1 étiquette d'avertissement de changement des injecteurs
- 1 joint d'étanchéité

## Réglage du régulateur de pression pour le gaz propane

1. Dévissez le capuchon du régulateur.



2. Dévissez la tige du régulateur en plastique du capuchon du régulateur. La configuration « A » est pour le gaz naturel.
3. Inversez la tige du régulateur en plastique pour obtenir la configuration « B » pour le gaz propane et vissez-la fermement.



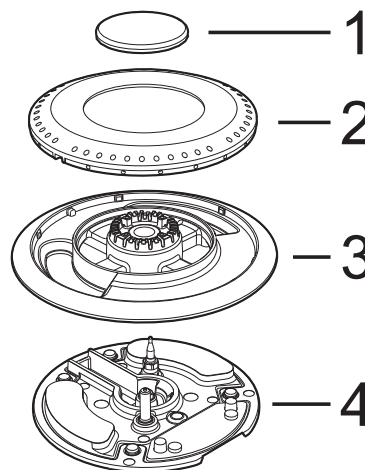
4. Vissez la tige et le capuchon du régulateur dans leur emplacement.

### REMARQUE :

Lors de la conversion pour une utilisation avec du gaz propane, la pression fournie au régulateur doit être comprise entre 11" et 13" de la colonne d'eau.

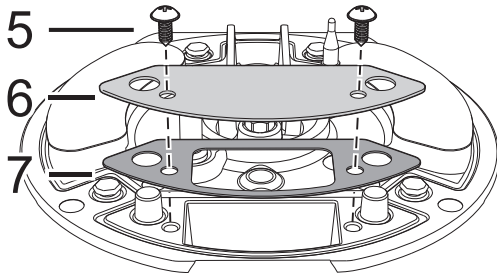
## Remplacement des injecteurs du brûleur

1. Retirez les grilles de la table de cuisson.
2. Retirez le couvercle du brûleur (1), le répartiteur de flamme (2) et le dossieret du brûleur (3) de la base du brûleur (4).

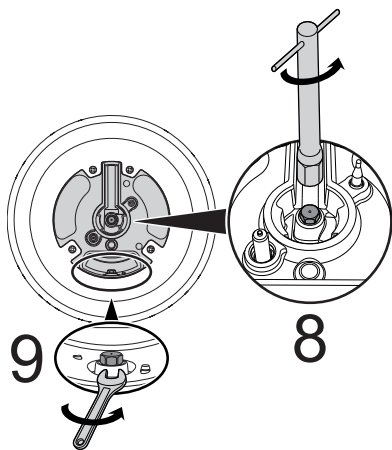


# INSTRUCTIONS D'INSTALLATION CUISINIÈRE À GAZ 36"

3. Retirez les vis de serrage (5), la plaque de recouvrement (6) et le joint (7).



4. Retirez les injecteurs interne (8) et externe (9) et remplacez-les par les injecteurs GPL (voir «Tableau des injecteurs de GPL (Pression en W.C.P. : 10»)»).



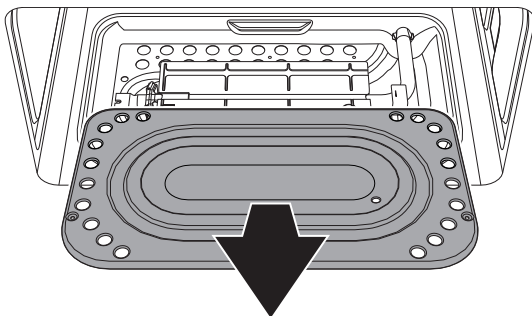
**⚠ PRÉCAUTION** Cette procédure doit être exécutée pour chaque brûleur.

5. Remplacez les composants du brûleur en suivant les instructions ci-dessus en sens inverse.

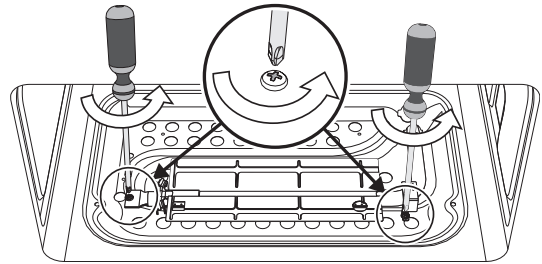
## Remplacement de l'injecteur du brûleur du four

**⚠ PRÉCAUTION** Veillez à ne pas endommager le thermocouple ou l'allumeur lors des opérations suivantes.

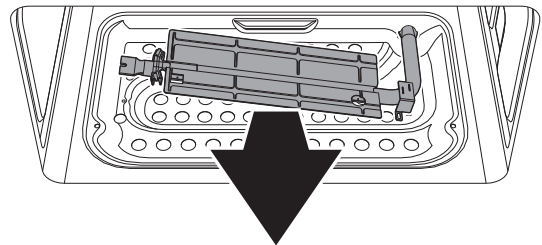
1. Ouvrir la porte et enlever tous les accessoires présents à l'intérieur du four.
2. Extraire la grille.



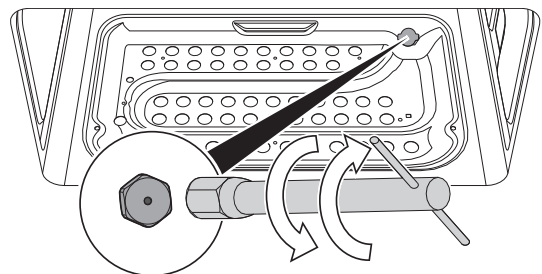
3. Retirer les vis de fixation du brûleur du four de la base.



4. Soulever doucement le brûleur par le côté et le tirer vers vous pour le sortir de son logement.



5. Remplacer la buse à l'aide d'une clé à douille de 7 mm ; installer la buse la plus adaptée au type de gaz utilisé.



## NOTE:

Le couple de serrage de l'injecteur doit être de 4 Nm.

6. Après avoir remplacé l'injecteur, remettre le brûleur à son siège.
7. Serrer les vis de fixation du brûleur.
8. Replacer la grille dans son logement.

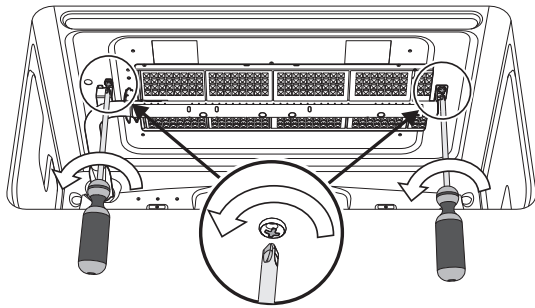
## Remplacement de l'injecteur du brûleur du gril à gaz

**⚠ PRÉCAUTION** Veillez à ne pas endommager le thermocouple ou l'allumeur lors des opérations suivantes.

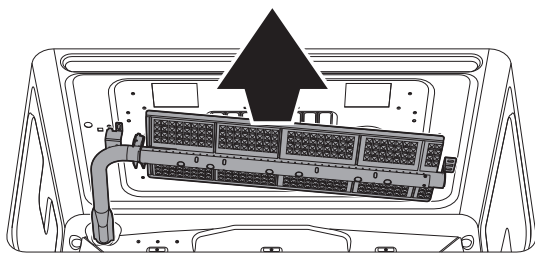
1. Ouvrir la porte et enlever tous les accessoires présents à l'intérieur du four.

# INSTRUCTIONS D'INSTALLATION CUISINIÈRE À GAZ 36"

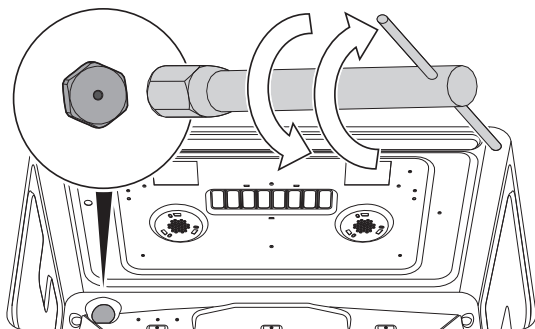
2. Desserrer les vis qui fixent le brûleur du gril à gaz à la partie supérieur du four.



3. Tirez doucement sur le brûleur jusqu'à ce que l'injecteur soit accessible.



4. Remplacer l'injecteur par celui qui convient le mieux au type de gaz utilisé en utilisant une clé à douille de 7 mm.



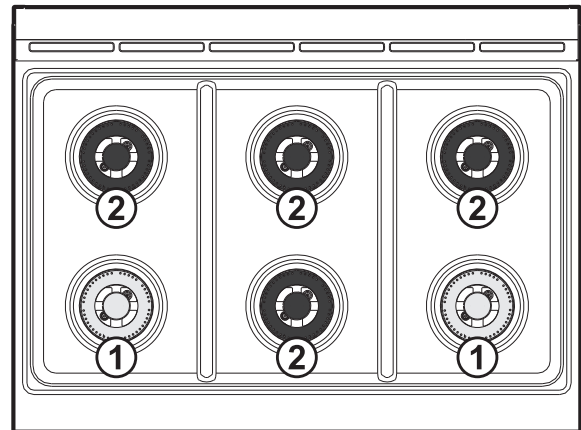
## NOTE:

Le couple de serrage de l'injecteur doit être de 4 Nm.

5. Après avoir remplacé l'injecteur, remettre le brûleur à son siège.
6. Serrer les vis de fixation du brûleur.

## Placement correct des brûleurs de la table de cuisson

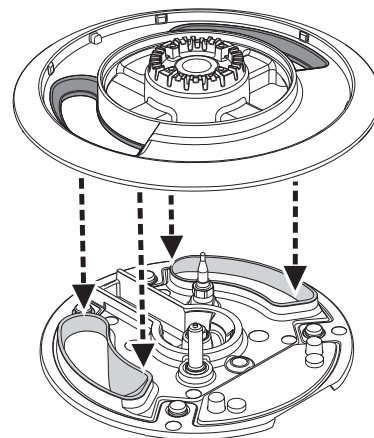
Faites attention à placer les brûleurs dans leurs zones respectives appropriées avant de les refixer.



1. **Brûleurs revêtus de laiton de 18000 BTU** - doivent être placés dans les zones avant gauche et avant droite.
2. **Brûleurs revêtus de noir de 12000 BTU** - doivent être placés dans les autres zones.

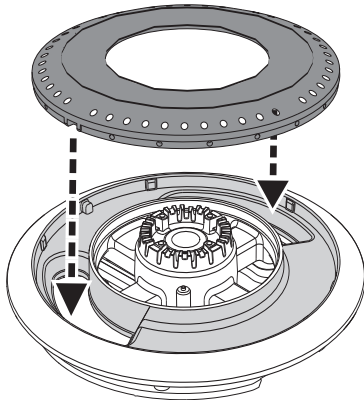
## Remontage des brûleurs

Pour l'installer correctement, la forme des ouvertures du dossier du brûleur doit correspondre à la forme des ouvertures de la base du brûleur.

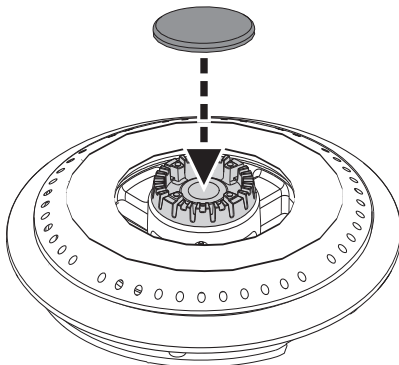


# INSTRUCTIONS D'INSTALLATION CUISINIÈRE À GAZ 36"

Le répartiteur de flamme doit être centré sur le dosseret du brûleur.



Le couvercle du brûleur doit être nivelé et centré par rapport au dosseret du brûleur.



Chaque composant du brûleur doit être positionné horizontalement et doit s'emboîter correctement. Vérifiez qu'ils soient correctement montés en déplaçant doucement chaque composant. Si les composants ne s'adaptent pas correctement ou sont inclinés, ajustez la position de chaque composant jusqu'à ce qu'il reste fixé en position.

## Fixation au mur et au sol

### AVERTISSEMENT



### Risque de choc électrique

- Faites preuve d'une extrême prudence lorsque vous percez des trous dans les murs ou les planchers. Il se peut que des câbles électriques soient dissimulés dans les murs ou sous les planchers.
- Identifier l'emplacement des circuits électriques qui pourraient être affectés par l'installation du dispositif anti-basculement. Ensuite éteindre ces circuits.
- Ne pas se conformer à ces instructions peut entraîner des chocs électriques ou autres blessures corporelles.
- Contacter un entrepreneur ou un installateur qualifié pour déterminer la méthode appropriée pour percer des trous dans les murs ou sur les recouvrements de planchers (tel que la céramique, le bois dur, etc.).
- Ne pas se conformer à ces instructions peut entraîner des dommages aux murs ainsi qu'aux recouvrements de planchers.

### PRÉCAUTION

### AVERTISSEMENT

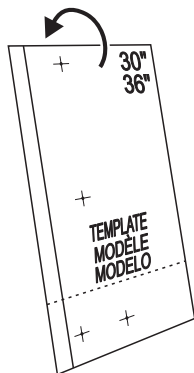
Contrôlez visuellement de l'intérieur du tiroir que la bride montée au sol/au mur soit insérée dans le crochet latéral adéquat (du côté gauche).



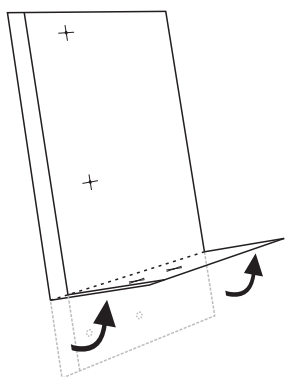
# INSTRUCTIONS D'INSTALLATION CUISINIÈRE À GAZ 36"

Positionnement du support à l'aide du modèle :

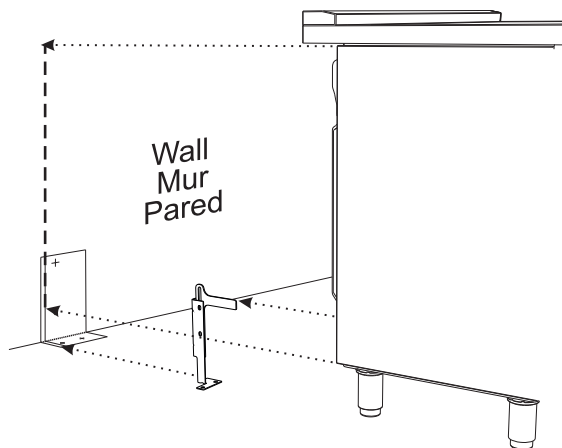
1. Choisissez le bon côté du modèle, en fonction du modèle de l'appareil.



2. Pliez le modèle en suivant la ligne horizontale en pointillés.



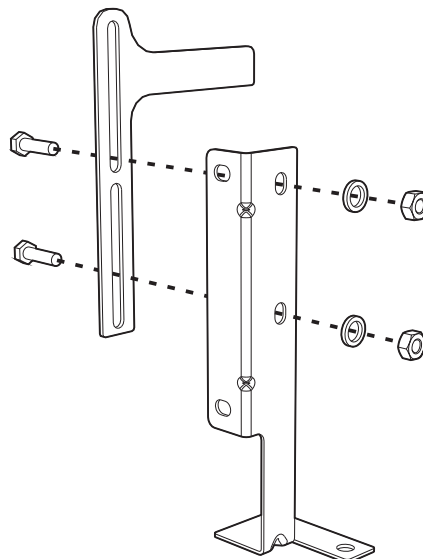
3. Placez le modèle de sorte que l'épaisse ligne verticale dessinée dessus soit alignée au bord du côté gauche de l'appareil.



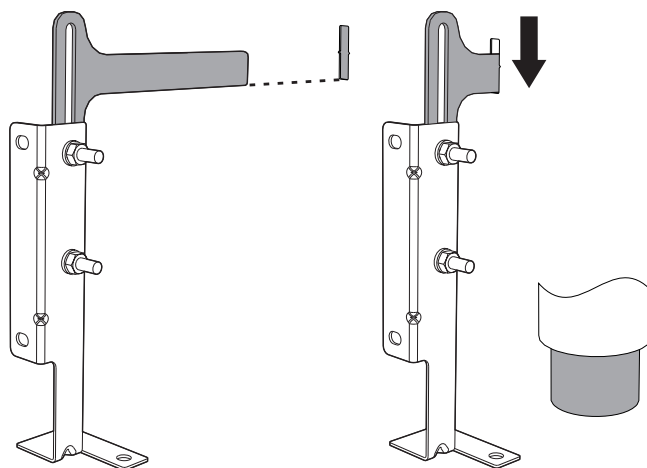
4. Marquez l'emplacement des trous de vis, au mur ou au sol en fonction de la façon dont vous souhaitez fixer le support.
5. Fixez le support anti-basculement.

Installation du support anti-basculement :

1. Assurez-vous que le branchement électrique soit à la bonne position.
2. Assemblez le support.



3. Alignez la base du crochet du support à la base sur la fente du support de fixation de la paroi arrière. Alignez la base du support de fixation au sol et serrez les vis pour fixer les mesures.

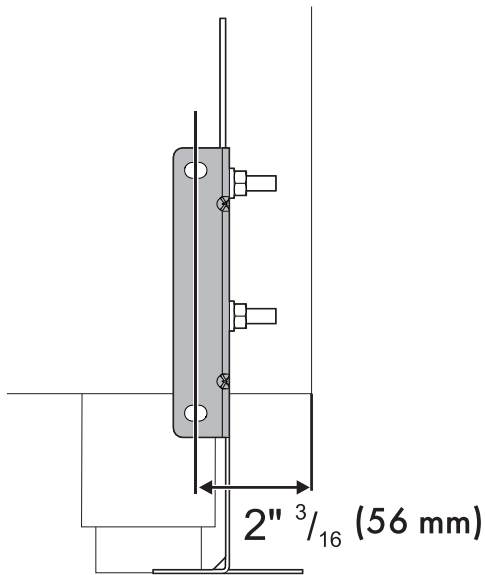


4. Pour le montage mural, passez aux étapes 5, 6, 9 et 10. Pour le montage au sol, aux étapes 7, 8, 9 et 10.

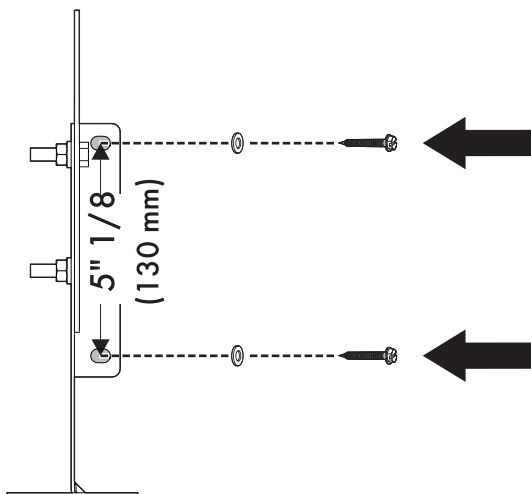
**REMARQUE :** La fixation murale est recommandée si l'appareil est placé contre un mur. La fixation au sol est recommandée en cas d'installation en îlot.

# INSTRUCTIONS D'INSTALLATION CUISINIÈRE À GAZ 36"

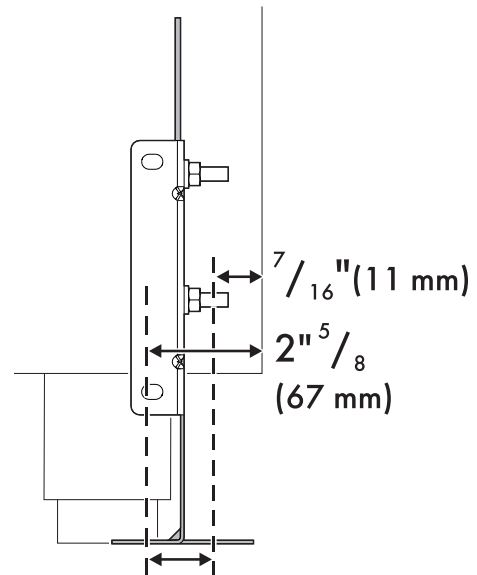
5. Utilisez la distance spécifiée entre le côté de l'appareil et les trous du support.



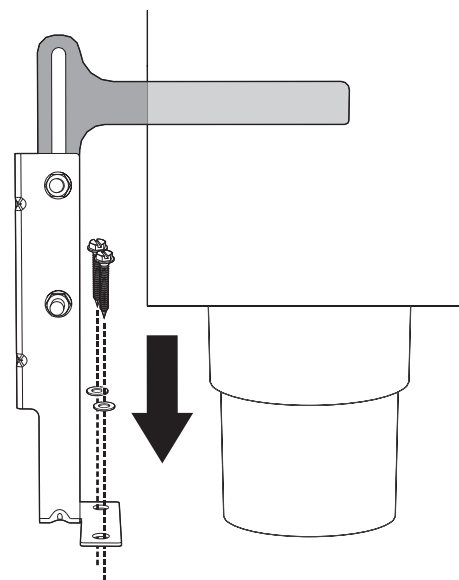
6. Déplacez le support contre le mur et fixez avec les deux rondelles et les vis. Un technicien qualifié doit vérifier l'adéquation des matériaux conformément au type et à l'état du mur.



7. Utilisez les distances suivantes pour la distance entre le côté de l'appareil et les trous du support.

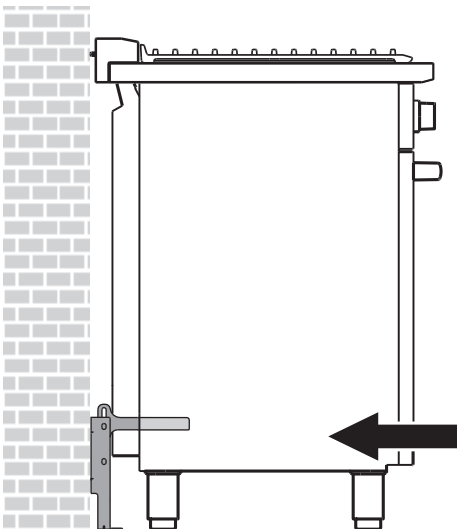


8. Après avoir positionné et mis à niveau l'appareil, déplacez la bride près de l'arrière de l'appareil et ancrez-la sur le plancher en utilisant les deux rondelles et les vis. Un technicien qualifié doit vérifier l'adéquation des matériaux conformément au type et à l'état du sol.



# INSTRUCTIONS D'INSTALLATION CUISINIÈRE À GAZ 36"

9. Poussez la cuisinière vers le mur et, en même temps, insérez le support dans la plaque qui est fixée à l'arrière de l'appareil.

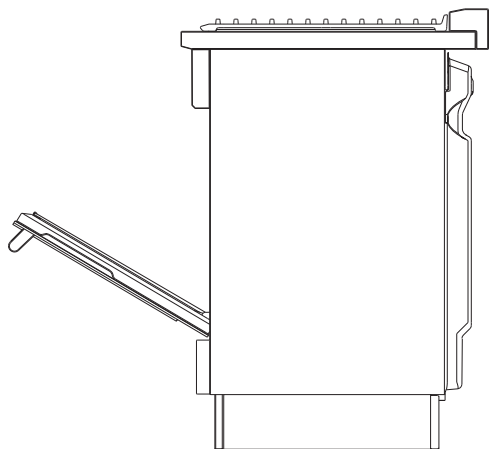


**AVERTISSEMENT** La garniture de ventilation arrière a 3/16" (5 mm) pour maintenir l'appareil légèrement éloigné du mur arrière. Ne retirez pas et ne modifiez pas les entretoises en raison de problèmes de température potentiels.

10. Vérifiez que l'installation et l'utilisation du support anti-basculement soient correctes. Inclinez délicatement la cuisinière vers l'avant en la tirant par l'arrière pour vous assurer que le support anti-basculement engage le pied de la cuisinière et empêche tout basculement. La cuisinière ne doit pas bouger de plus de 1" (2,5 cm).

## Retrait de la porte

Il n'est pas nécessaire de retirer la porte pour installer la cuisinière, mais cela est une commodité supplémentaire. Reportez-vous au Guide d'utilisation et d'entretien pour obtenir les instructions de retrait de la porte du four.





# INSTRUCCIONES DE MONTAJE ESTUFA DE GAS DE 36”

**LAS OPERACIONES DE INSTALACIÓN Y SERVICIO TÉCNICO DEBEN SER LLEVADAS A CABO POR UN INSTALADOR CUALIFICADO.**

**IMPORTANTE: GUARDE ESTAS INSTRUCCIONES PARA USO DEL INSPECTOR ELÉCTRICO LOCAL.**

**LEA Y GUARDE ESTAS INSTRUCCIONES PARA FUTURAS REFERENCIAS.**

**⚠ ADVERTENCIA** POR SU SEGURIDAD: No almacene o emplee gasolina u otros vapores o líquidos inflamables cerca de este o cualquier otro aparato.

## Índice

<b>INSTRUCCIONES IMPORTANTES DE SEGURIDAD</b> .....	<b>42</b>
Dimensiones del producto .....	44
Distancias del armario .....	44
Posición de las salidas eléctricas y de gas ...	45
Montaje del respaldo .....	46
Montaje del zócalo delantero/lateral.....	46
Instalación de la manija de la puerta.....	47
Instalación de isla.....	47
Desembalaje, desplazamiento y ubicación de la estufa.....	48
Conexión eléctrica.....	49

Seguridad del gas .....	50
Conexión del gas .....	51
Conversión a gas propano (GLP) .....	54
Fijación a la pared y al suelo .....	58
Desmontaje de la puerta.....	60

## Important Notes to the Installer

1. Lea todas las instrucciones de montaje antes de instalar la estufa.
2. Quite todo el material de embalaje del horno y de los compartimentos del cajón antes de conectar la estufa a la alimentación eléctrica y de gas.
3. Respete los códigos y las normativas vigentes. Asegúrese de dejar estas instrucciones al consumidor.

## Nota importante para el cliente

Mantenga estas instrucciones con la guía del propietario para futuras referencias.

**⚠ ADVERTENCIA** Si las instrucciones recogidas en este manual no se siguen con exactitud, podría producirse un incendio o una explosión, causando daños materiales, lesiones personales o la muerte.

### PARA SU SEGURIDAD:

- No almacene o emplee gasolina u otros vapores o líquidos inflamables cerca de este o cualquier otro aparato.

### QUÉ HACER SI SIENTE OLOR A GAS:

- No intente encender ningún aparato.
- No toque interruptores eléctricos; no utilice ningún teléfono en el edificio.
- Llame inmediatamente al proveedor de gas desde el teléfono de un vecino. Siga las instrucciones del proveedor de gas.
- Si no es posible ponerse en contacto con su proveedor de gas, llame a los bomberos.

**Las operaciones de instalación y mantenimiento deben ser llevadas a cabo por un instalador cualificado, una empresa de asistencia técnica o el proveedor de gas.**

Nota: Para los aparatos instalados en el Estado de Massachusetts, vaya a la página 50.

Nota: Cuando opere a altitudes superiores a 2000 pies sobre el nivel del mar, la clasificación del aparato debe reducirse en un 4 por ciento por cada 1000 pies adicionales.

## INSTRUCCIONES IMPORTANTES DE SEGURIDAD

Este manual contiene símbolos e instrucciones importantes con relación a la seguridad. Preste atención a estos símbolos y siga las instrucciones proporcionadas.

**⚠️ ADVERTENCIA** Este símbolo le alertará de situaciones que podrían causar lesiones graves, la muerte o daños a la propiedad.

**⚠️ ATENCIÓN** Este símbolo le alertará de situaciones que podrían causar lesiones o daños a la propiedad.

La instalación de esta estufa debe realizarse en conformidad con los códigos locales o, en ausencia de ellos, con el Código Nacional de Gas Combustible ANSI Z223.1/NFPA .54 (última edición) o con las normas CAN/CGAB149.1 y CAN/CGA-B149.2.

Cuando se instale en una casa prefabricada (rodante), la instalación debe cumplir con la Ley Nacional de Construcción y Normas de Seguridad de Viviendas Prefabricadas, Título 24 CFR, Parte 3280 [anteriormente, las Normas Federales de Construcción y Seguridad de Viviendas Prefabricadas, Título 24, HUD (Parte 280)] o bien, cuando dicha norma no sea aplicable, con el Estándar de Instalación de Viviendas Prefabricadas ANSI/NCSBCS A.225.1 o con los códigos locales en Estados Unidos, con ANSI Z225.1/NFPA 501A (última edición) o con CAN/CSAZ240MH en Canadá.

El diseño de esta estufa ha sido certificado por CSA International. Como sucede con todos los aparatos que utilizan gas y generan calor, se deben seguir algunas precauciones de seguridad. Las encontrará en la "Guía de uso y cuidado". Le rogamos que la lea con atención.

- **Asegúrese de que un instalador o técnico de servicio cualificado instale y ponga a tierra correctamente la estufa.**
- **Esta estufa debe ser puesta a tierra conforme a los códigos locales o, en ausencia de estos, conforme al Código de Electricidad Nacional, ANSI/NFPA N.º 70 (última edición), en Estados Unidos, o al Estándar CSA C22.1, Código de Electricidad de Canadá, Parte 1, en Canadá.** Vea las Instrucciones para la puesta a tierra en la sección de "Requisitos eléctricos" de estas "Instrucciones de montaje".

- Antes de instalar la estufa en una zona cubierta por linóleo u otros revestimientos de suelo sintéticos, asegúrese de que el revestimiento del suelo puede soportar una temperatura de al menos 90°F por encima de la temperatura ambiente sin encogerse, deformarse o decolorarse. No instale la estufa encima de una alfombra, a no ser que coloque un tapete aislante o una placa de madera contrachapada de ¼" (10,16 cm) de espesor entre la estufa y la alfombra.
- Asegúrese de que el revestimiento de la pared que rodea la estufa puede soportar el calor generado por la misma.
- No obstruya el flujo de aire de combustión en la abertura de ventilación del horno ni alrededor de la base o debajo del panel frontal inferior de la estufa. Evite tocar las aberturas de ventilación o las superficies cercanas, ya que podrían calentarse mientras el horno está funcionando. Esta estufa requiere aire fresco para la combustión adecuada del quemador.
- No deberán utilizarse cortinas de aire ni campanas extractoras superiores, que operan soplando aire hacia la estufa, en conjunto con estufas de gas, a menos que ambas hayan sido diseñadas, probadas y aprobadas por un laboratorio de ensayo independiente para su uso conjunto.

**⚠️ ADVERTENCIA** Los niños no deben permanecer solos o sin vigilancia en el área en la que se esté usando el aparato. Cuando los niños crezcan, instrúyales sobre el uso correcto y seguro de todos los aparatos. Nunca deje abierta la puerta del horno cuando la estufa esté sin vigilancia.

**⚠️ ATENCIÓN** Subirse, apoyarse o sentarse sobre la puerta o el cajón de esta estufa puede provocar graves lesiones y puede causar asimismo daños al aparato.

- No guarde artículos de interés para los niños en los armarios que se encuentran encima de la estufa. Los niños podrían sufrir quemaduras graves si se subieran a la estufa para alcanzar algún objeto.
- Para eliminar la necesidad de alcanzar algún objeto sobre los quemadores de la superficie, evite el almacenamiento en armarios sobre los quemadores.
- Ajuste el tamaño de la llama del quemador de la superficie para que no se extienda más allá del borde del utensilio de cocina. Una llama excesivamente grande es peligrosa.
- No usar el horno como lugar de almacenamiento. Esto crea una situación potencialmente peligrosa.

# INSTRUCCIONES DE MONTAJE DE LA ESTUFA DE GAS DE 36"

- No usar por ningún motivo la estufa para calentar el ambiente. Un uso prolongado de la estufa sin la ventilación adecuada puede ser peligroso.
- No almacenar ni emplear gasolina u otros vapores o líquidos inflamables cerca de este o de cualquier otro aparato. Podrían provocar explosiones o incendios.
- En caso de un corte de alimentación eléctrica, los quemadores se pueden encender manualmente. Para encender un quemador de superficie, sostenga un fósforo encendido en la cabeza del quemador y gire lentamente la perilla de control de la superficie hasta LITE. Tenga cuidado al encender manualmente los quemadores de la superficie.
- A diferencia de la estufa de gas estándar, ESTA PLACA DE COCCIÓN NO SE PUEDE EXTRAER. No intente retirar la placa de cocción.

**ADVERTENCIA** No repare, sustituya ni elimine las piezas de este aparato, a menos que así lo recomienden específicamente los manuales. La instalación, el servicio o el mantenimiento inadecuados pueden causar lesiones o daños a la propiedad. Utilice este manual como guía. Las demás operaciones de mantenimiento deben encargarse a un proveedor de servicios autorizado.

- El aparato debería utilizarse solo si el montaje lo lleva a cabo un técnico cualificado, siguiendo estas instrucciones de montaje y todas las normas y códigos aplicables. El fabricante no se hace responsable de los daños que deriven de una instalación incorrecta.
- No altere por ningún motivo el aparato. Por ejemplo, no quite las patas de nivelación, los paneles, las cubiertas de los cables ni las abrazaderas/tornillos antivuelco.
- Para eliminar el riesgo de quemaduras o incendios al estirar los brazos sobre las superficies calientes, evite el almacenamiento en armarios sobre las superficies de cocción. Si se ha previsto un armario de almacenamiento, el riesgo se puede reducir instalando una campana que se proyecte horizontalmente un mínimo de 5 pulgadas (127 mm) por encima de la parte inferior del armario. Asegúrese de que la profundidad de los armarios sobre la placa sea de un máximo de 13" (330 mm).

## ADVERTENCIA



## Peligro de vuelco

- Tanto un niño como un adulto podrían volcar la estufa, lo que podría causar su muerte.
- Instale el dispositivo antivuelco en el suelo o en la pared siguiendo las instrucciones de montaje.
- Enganche a la estufa el dispositivo antivuelco siguiendo las instrucciones de montaje.
- Asegúrese de que el dispositivo antivuelco haya sido enganchado nuevamente cuando desplace la estufa.
- No hacer funcionar la estufa sin el dispositivo antivuelco en la posición correcta.
- Al no seguir estas instrucciones, podrían producirse la muerte o quemaduras graves en niños y adultos.



Para comprobar que el soporte antivuelco esté instalado correctamente, utilice los dos brazos y sujete el borde trasero de la estufa. Intente inclinar la estufa hacia delante con mucho cuidado. Si está correctamente instalada, la estufa no debería inclinarse hacia delante.

Consulte las instrucciones de montaje del soporte antivuelco suministradas con la estufa para una instalación adecuada.

## Códigos de seguridad y normas

Este aparato cumple con una o varias de las siguientes normas:

- ANSI Z21.1/CSA 1.1 Aparatos domésticos de cocción que utilizan combustibles gaseosos.

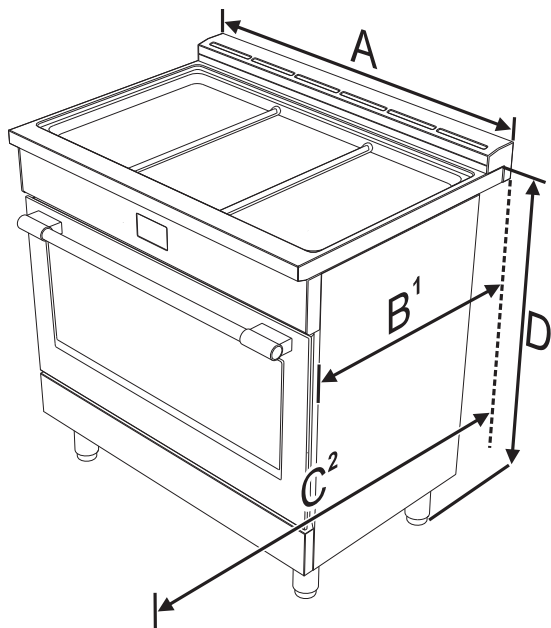
Es responsabilidad del propietario y del instalador determinar si se aplican requisitos y/o

normas adicionales a instalaciones específicas.

La instalación debe realizarse en conformidad con los códigos locales o, en ausencia de ellos, con el Código Nacional de Gas Combustible, ANSI Z223.1/NFPA 54 o, en Canadá, con el Código de Instalación de Gas Natural y Propano, CSA B149.1. El aparato debe ser puesto a tierra conforme a los códigos locales o, en ausencia de estos, conforme al Código de Electricidad Nacional, NFPA 70 (última edición) o, en Canadá, al Código de Electricidad de Canadá, CSA C22.1-02.

# INSTRUCCIONES DE MONTAJE DE LA ESTUFA DE GAS DE 36"

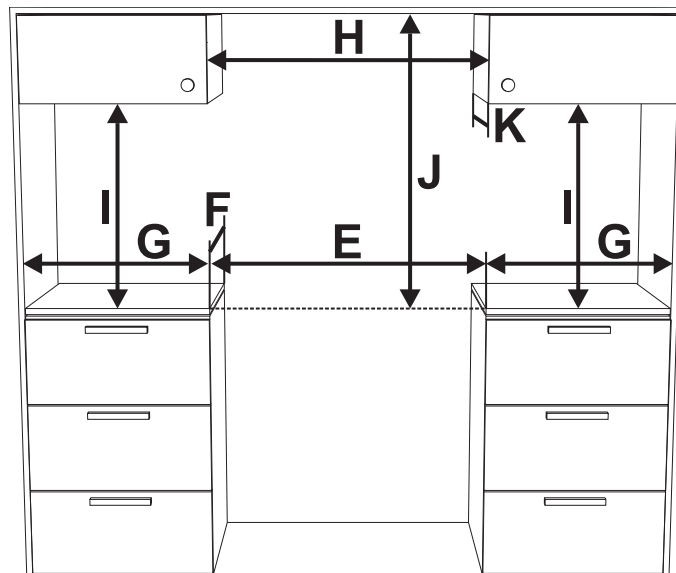
## Dimensiones del producto



<b>A</b>	912.4 mm	35 15/16"
<b>B<sup>1</sup></b>	min: 654 mm max: 658 mm	min: 25 3/4" max: 25 7/8"
<b>C<sup>2</sup></b>	1116 mm	43 15/16"
<b>D</b>	min: 903 mm max: 929 mm	min: 35 9/16" max: 36 9/16"

1. La medida **B** varía según el modelo: el mínimo se obtiene sin los separadores traseros (vea «Instalación de isla») y el máximo se obtiene para la instalación tradicional (instalación con ranura - con los separadores traseros).
2. La medida **C** hace referencia a la puerta abierta.

## Distancias del armario



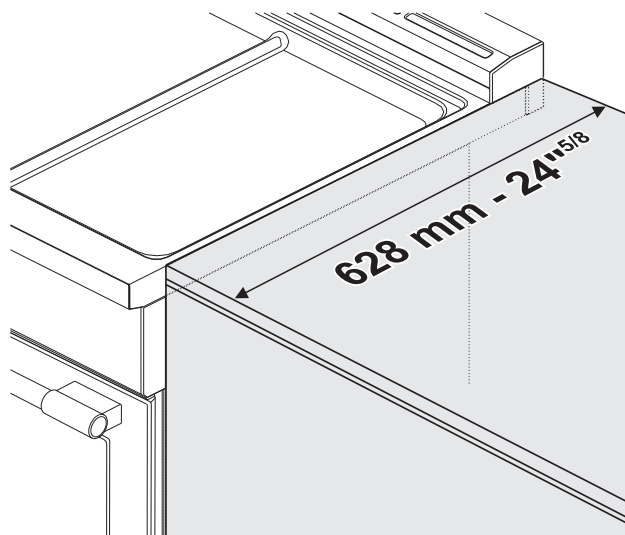
<b>E</b>	mín. 914 mm	mín. 36"
<b>F</b>	628 mm	24" 5/8
<b>G</b>	mín. 508 mm	mín. 20"
<b>H</b>	mín. 914 mm	mín. 36"
<b>I</b>	mín. 457 mm	mín. 18"
<b>J</b>	vea las notas a continuación	
<b>K</b>	máx. 330 mm	máx. 13"

La distancia **J** puede tener los siguientes valores:

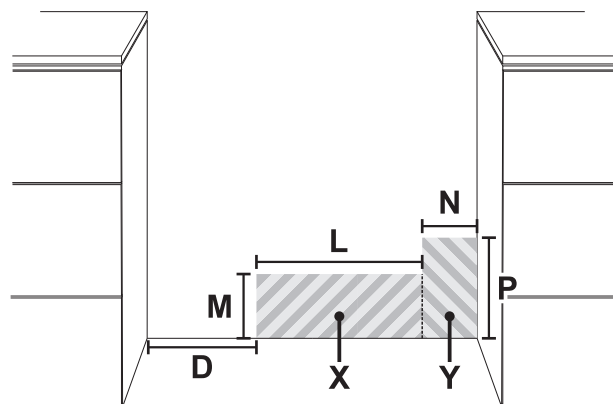
- **J = 42" / 1067 mm** distancia mínima entre la superficie de cocción y la base de un armario de madera o metal sin protección.
- **J = 30" / 762 mm** como mínimo cuando el fondo del armario de madera o metal está protegido por una madera resistente al fuego de no menos de 1/4 pulgadas de grosor, cubierta por una lámina metálica de MSG de número 28 como mínimo, por acero inoxidable de 0,015 pulgadas de grosor, por aluminio de 0,024 pulgadas de grosor o por cobre de 0,020 pulgadas de grosor. Las distancias de materiales no combustibles están fuera del alcance de la ANSI Z21.1 y no están certificadas por CSA. Las distancias de menos de 30" deben ser aprobadas por los códigos locales y/o por la autoridad local competente.

# INSTRUCCIONES DE MONTAJE DE LA ESTUFA DE GAS DE 36"

La profundidad lateral del armario (distancia **F**) debe coincidir con el borde delantero del panel lateral de la estufa:



## Posición de las salidas eléctricas y de gas



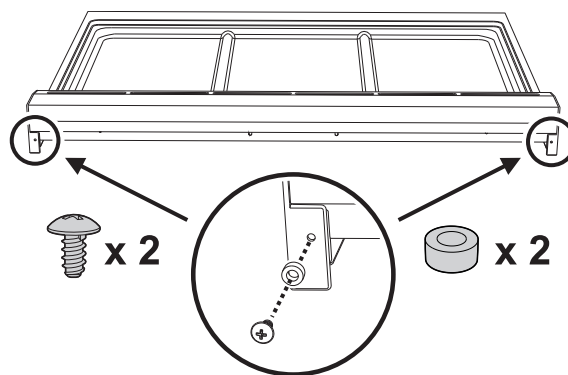
<b>D</b>	Mín.: 11" 7/8	Mín.: 300 mm
Toma a tierra ( <b>X</b> )	<b>L</b> Mín.: 11" 7/8 Máx.: 18" 2/8	Mín.: 300 mm Máx.: 462 mm
	<b>M</b> Mín.: 2" Máx.: 9" 7/8	Mín.: 51 mm Máx.: 250 mm
Línea de suministro de gas ( <b>Y</b> )	<b>N</b> Mín.: 2" Máx.: 6"	Mín.: 51 mm Máx.: 152 mm
	<b>P</b> Mín.: 2" Máx.: 10" 7/8	Mín.: 51 mm Máx.: 275 mm

## Montaje del respaldo

El respaldo suministrado es una parte integral del aparato y siempre debe estar posicionado y asegurado correctamente en la placa.

Puede encontrar las instrucciones de montaje del respaldo en la hoja de instrucciones proporcionada.

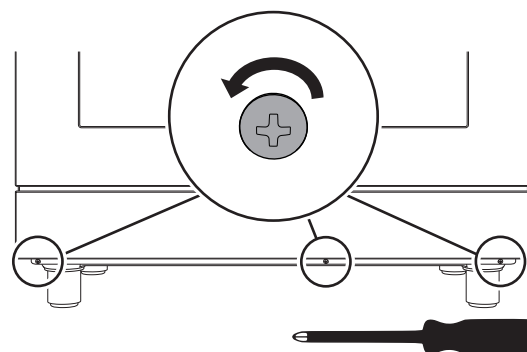
Una vez fijado el respaldo al aparato, debe introducir los tornillos y los separadores suministrados que se necesitan para la instalación con ranura.



## Montaje del zócalo delantero/lateral

El zócalo delantero siempre debe estar colocado correctamente y fijado al aparato.

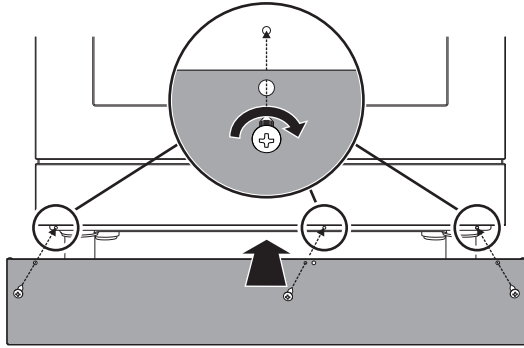
1. Utilice un destornillador para extraer los tornillos delanteros.



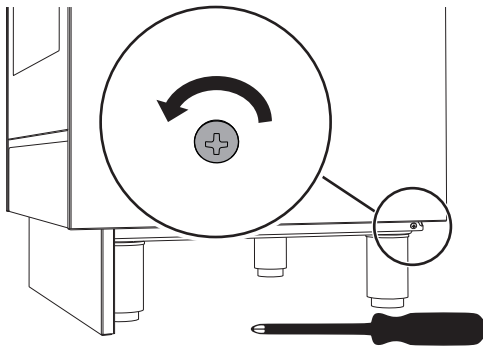
2. Coloque el zócalo delantero en la parte trasera del aparato y alinee los agujeros del lateral del zócalo con los agujeros de la base del aparato.

# INSTRUCCIONES DE MONTAJE DE LA ESTUFA DE GAS DE 36"

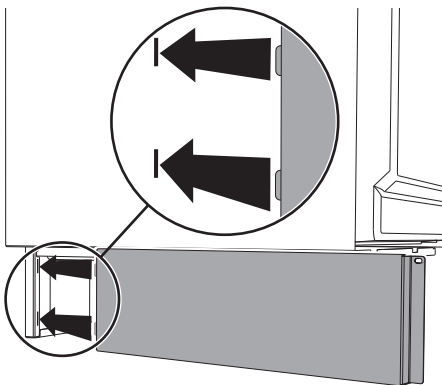
3. Fije el zócalo delantero al aparato utilizando los tornillos extraídos anteriormente.



4. Una vez instalado el zócalo delantero, se puede fijar correctamente el zócalo lateral al aparato. Utilice un destornillador para extraer los tornillos laterales.

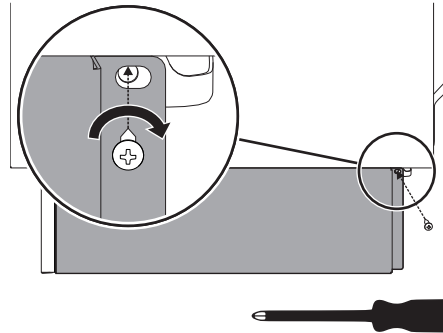


5. Introduzca las aletas del zócalo lateral en las ranuras de la parte trasera del zócalo delantero.



6. Alinee el agujero del zócalo lateral con el agujero trasero de la base del aparato.

7. Fije el zócalo lateral al aparato utilizando el tornillo extraídos anteriormente.

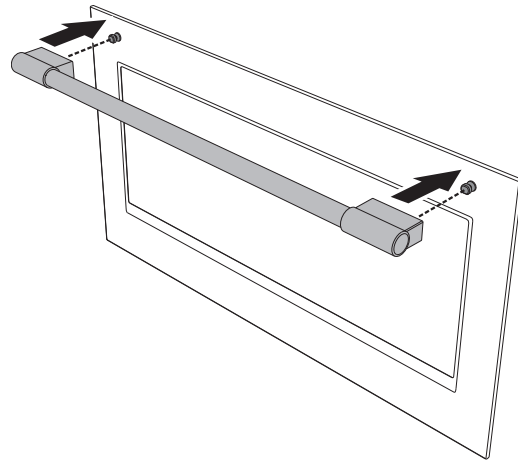


8. Repita el procedimiento para la otra sección del zócalo lateral.

## Instalación de la manija de la puerta

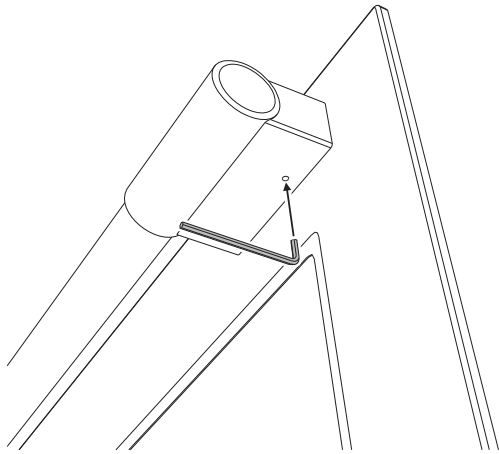
La manija de la puerta suministrada viene suelta del aparato y debe asegurarse a la puerta del horno durante la instalación.

1. Coloque la manija en los pasadores de fijación de la puerta del horno.

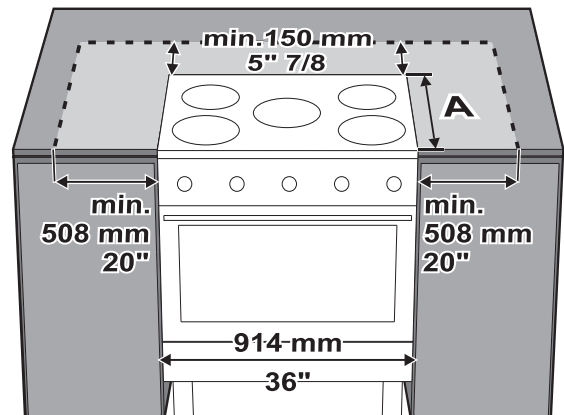


# INSTRUCCIONES DE MONTAJE DE LA ESTUFA DE GAS DE 36"

2. Asegure la manija apretando los tornillos debajo de ambos extremos. Utilice la llave hexagonal Allen de 3/32" incluida.



Mantenga una distancia mínima de 20" (508 mm) entre el aparato y cualquier elemento de mobiliario inflamable.

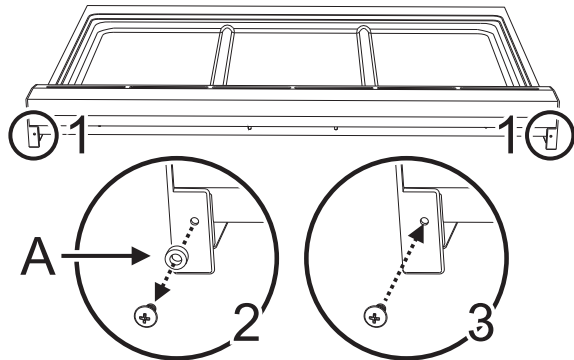


La profundidad lateral del armario (distancia **A**) debe coincidir con el borde delantero del panel lateral de la estufa:

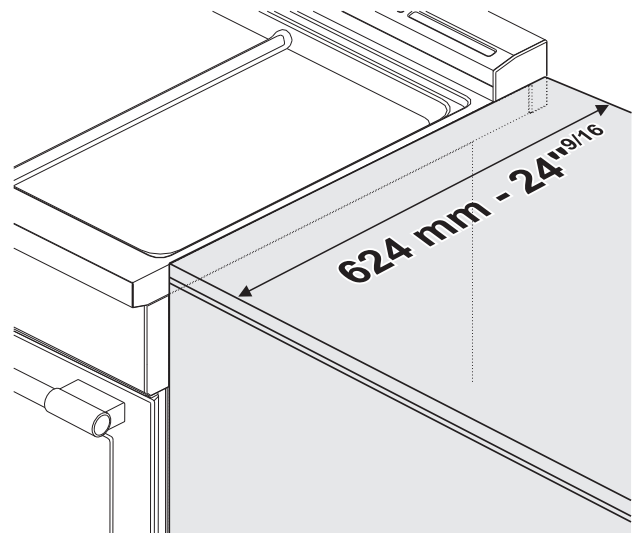
## Instalación de isla

Si el aparato se instala de forma aislada:

1. Desenrosque los tornillos indicados.
2. Retire los separadores (**A**).
3. Introduzca los tornillos retirados anteriormente en su sitio.



Mantenga una distancia mínima de 5 7/8" (150 mm) entre el aparato y otros muebles o elementos decorativos siguiendo el diagrama que se muestra a continuación.



## Desembalaje, desplazamiento y ubicación de la estufa

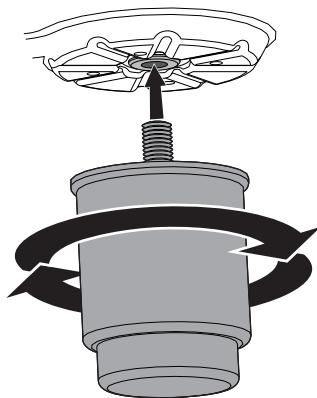
**¡ATENCIÓN!** Esta unidad ha sido diseñada como aparato de cocción. Por motivos de seguridad, nunca debe utilizarse para calentar ambientes.

- Se recomienda quitar el panel de protección frontal, el respaldo y las rejillas del horno para facilitar el desplazamiento. De esta manera se reducirá el peso para las operaciones de desplazamiento.
- Al ubicar el aparato durante la instalación, no utilice la manija de la puerta para levantar o mover el aparato.
- Utilice guantes para evitar cortarse los dedos con los bordes afilados durante la instalación.
- Quite el cartón y el material de embalaje exterior y sepárelo del resto de la unidad.



# INSTRUCCIONES DE MONTAJE DE LA ESTUFA DE GAS DE 36"

- El aparato se puede mover con una carretilla o con una carretilla elevadora con pinzas (no con un montacargas) solo si todavía está embalado.
- Retire por completo la cinta y el embalaje antes de usar el aparato. Elimine el embalaje después de desembalar el aparato. No permita nunca que los niños jueguen con el material de embalaje.
- Debido a su peso, una vez retirado el material de embalaje, muévela con la ayuda de otra persona.
- Antes de mover la estufa, asegúrese de que las patas estén completamente instaladas. Ajuste el nivel solo cuando el aparato esté en la posición final.
- Antes de mover la estufa, asegúrese de que las patas estén completamente instaladas.
- Se recomienda proteger el suelo sobre el cual se pondrá la estufa (con madera, tiras de tela, tapetes, paneles, etc.) antes de arrastrar la unidad a su posición.
- Es necesario instalar el dispositivo antivuelco y realizar las conexiones eléctricas/de gas antes de ubicar la estufa en su posición definitiva.
- Las patas deben montarse cuando el aparato se encuentra cerca del lugar definitivo de instalación, ya que no son seguras para desplazamientos largos. Mantenga la unidad levantada para poder enroscar las patas en sus respectivos acoplamientos y luego bájela suavemente para evitar que las patas y las herramientas de montaje se deformen.



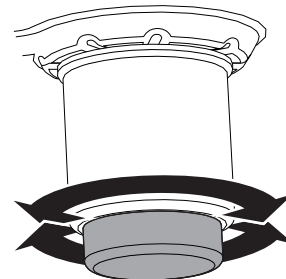
**NOTA:** Introduzca primero los pies delanteros y, después, los traseros.

Este es el orden correcto de instalación y posicionamiento:

1. Instale y ajuste las patas.
2. Instale el zócalo delantero/lateral.
3. Monte y fije el soporte antivuelco al suelo o a la pared.
4. Haga las conexiones de gas y electricidad.
5. Mueva la estufa a su posición final.

El aparato debe colocarse en el suelo de forma nivelada para garantizar su estabilidad.

- Enrosque o desenrosque la parte inferior del pie hasta que el aparato esté estable y nivelado en el suelo. El rango de ajuste del tornillo es de 1,37 pulgadas (35 mm).



**NOTA:** el aparato debe usarse únicamente con las patas específicas suministradas por el fabricante.

## Recomendaciones de ventilación:

- Recomendamos encarecidamente instalar una campana de ventilación encima de este aparato. La campana debe instalarse de acuerdo con las instrucciones suministradas con la misma.

**¡ATENCIÓN!** El aparato no debe instalarse con un sistema de ventilación que dirija el aire hacia abajo hacia los quemadores. Esta clase de sistema de ventilación podría causar problemas de encendido y combustión con el aparato de cocción de gas y podría provocar lesiones personales o funcionamiento involuntario.

# INSTRUCCIONES DE MONTAJE DE LA ESTUFA DE GAS DE 36"

## Conexión eléctrica

**ADVERTENCIA**



**Peligro de descarga eléctrica**

- El aparato cuenta con un enchufe de puesta a tierra con cuatro dientes para la protección contra descargas eléctricas y debe conectarse directamente a una toma de corriente debidamente puesta a tierra. No cortar o quitar por ningún motivo el diente de puesta a tierra del enchufe.
- El diente de puesta a tierra debe enchufarse a un conector de puesta a tierra del mismo tipo y debe conectarse a un circuito de 240 voltios correctamente polarizado. Si tiene alguna duda acerca de la conexión a tierra correcta de la toma de corriente de pared, llame a un electricista cualificado para que lo verifique.

La inobservancia de lo anterior podría producir un incendio, lesiones personales o una descarga eléctrica.

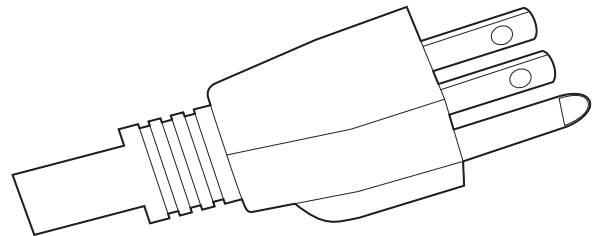
**ADVERTENCIA**



**Peligro de descarga eléctrica**

- Para su seguridad personal, el aparato debe conectarse a tierra adecuadamente. Para la máxima seguridad, el cable de alimentación debe estar conectado de manera segura a una toma eléctrica o a una caja de conexiones con la tensión correcta, correctamente polarizada y conectada a tierra y protegida por un cortacircuitos, de acuerdo con los códigos locales.
- Es responsabilidad personal del consumidor dotarse de la toma o caja de conexiones apropiada, con una toma de corriente adecuada y debidamente puesta a tierra e instalada por un electricista cualificado. Es responsabilidad y obligación del consumidor contactar con un instalador cualificado para garantizar que la instalación eléctrica sea la adecuada y cumpla con todos los códigos y normativas locales.

Esta estufa dispone de un cable de alimentación conectado de fábrica. El cable debe conectarse a una toma de corriente con conexión a tierra de 120/240 voltios o 120/208 voltios. Si no hay tomas disponibles, llame a un electricista cualificado para su instalación.

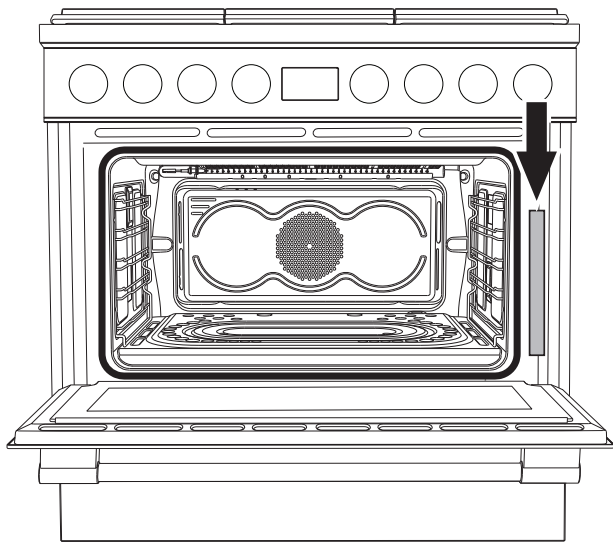


**ATENCIÓN** No utilice tomas múltiples, cables alargadores ni adaptadores.

Vea la placa de identificación para las especificaciones técnicas. La placa de identificación se encuentra visiblemente ubicada a la derecha del marco de la puerta del horno.

# INSTRUCCIONES DE MONTAJE DE LA ESTUFA DE GAS DE 36"

Dicha placa de identificación no debe quitarse por ningún motivo.



## Seguridad del gas

**ADVERTENCIA** La quema de gas combustible genera algunos subproductos que están en la lista de sustancias que el Estado de California sabe que causan cáncer o daños reproductivos. Para reducir al mínimo la exposición a estas sustancias, utilice siempre este equipo de acuerdo con las instrucciones contenidas en este folleto y proporcione una buena ventilación.

Instale una válvula de cierre de gas cerca del aparato. Debe quedar fácilmente accesible en caso de emergencia.

Las pruebas para controlar la presencia de escapes deben ser realizadas por el instalador de acuerdo con las instrucciones de este manual. El aparato y su válvula de cierre individual se deben desconectar del sistema de tuberías de suministro de gas durante cualquier prueba de presión con presiones superiores a 1/2 psi (3,5 kPa).

El aparato debe aislarse del sistema de tuberías de suministro de gas,

cerrando su válvula de cierre manual individual durante las pruebas de presión del sistema de suministro de gas cuando las presiones son iguales o inferiores a 1/2 psi (3,5 kPa). La presión mínima de suministro debe ser de 1" de columna de agua por encima de la presión establecida impresa en la etiqueta de clasificación. La presión máxima de suministro no debe exceder de 14,0 pulgadas de columna de agua (34,9 milibares).

**AVISOS IMPORTANTES SOBRE LA SEGURIDAD:** La quema de gas combustible genera algunos subproductos que están en la lista de sustancias que el Estado de California sabe que causan cáncer o daños reproductivos. Para reducir al mínimo la exposición a estas sustancias, utilice siempre este equipo de acuerdo con las instrucciones contenidas en este folleto y proporcione una buena ventilación.

### **ADVERTENCIA** sobre la Propuesta 65 del Estado de California:

Este producto puede contener una sustancia química que, conforme al Estado de California, puede causar cáncer y otros daños reproductivos. Por lo tanto, el embalaje de su producto puede llevar la siguiente etiqueta según lo exigido por California. Para más información, visite la página web [www.P65Warnings.ca.gov](http://www.P65Warnings.ca.gov)

## Instalación de gas propano

El tanque de gas propano debe disponer de su propio regulador de alta presión. Además, también debe utilizarse el regulador suministrado con esta unidad. El aparato sale de la fábrica listo para el uso con gas natural. Se debe convertir para usarlo con propano. La conversión debe ser realizada por un técnico o instalador cualificado. Este aparato está certificado para un funcionamiento seguro hasta una altura de 10.000 pies. Excepción: Para usarlo con gas propano, el aparato debe convertirse de acuerdo con las instrucciones de conversión a propano.

### Para instalaciones en Massachusetts:

- El montaje debe ser realizado por un contratista, plomero o instalador de tuberías de gas cualificado o autorizado por el estado, provincia o región de instalación del aparato.
- La válvula de cierre debe ser un grifo de gas con perilla en forma de "T".
- El conector flexible de gas no debe superar las 36 pulgadas de longitud.

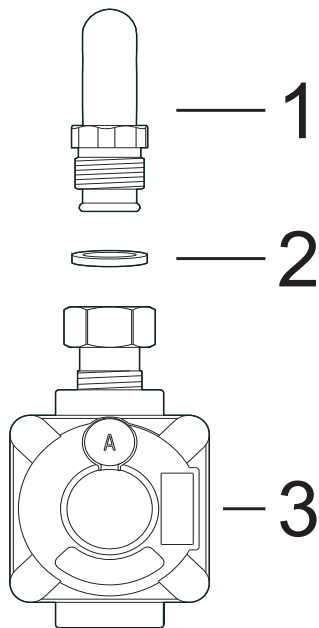
Instalador - muestre al propietario dónde se encuentra la válvula de cierre de gas.

## Conexión del gas

El aparato sale de la fábrica listo para el uso con gas natural a una presión de 5" de columna de agua. Al comprobar si el regulador funciona correctamente, la presión de entrada debe ser al menos 1" mayor que la presión de funcionamiento (del colector) anterior. Cuando se utiliza con gas natural, la presión suministrada al regulador debe estar entre 6" y 10,5" de columna de agua.

# INSTRUCCIONES DE MONTAJE DE LA ESTUFA DE GAS DE 36"

Para convertir el aparato a gas propano, vea «Conversión a gas propano (GLP)». La conversión debe ser realizada por un técnico o instalador cualificado. Use una tubería de gas flexible con una longitud de al menos 5 pies (1,5 m). La entrada de gas a la unidad se encuentra en la parte trasera derecha del aparato. Instale el regulador de presión (suministrado con la unidad) en la entrada de gas. Instale la empaquetadura (suministrada con la unidad) entre la entrada y el regulador. Coloque el regulador de manera que la tapa D quede fácilmente accesible. Apriete la tuerca de la entrada de gas de modo que esté apretada a mano más 1/3 de vuelta. Conecte la tubería de gas al regulador con cinta de teflón o compuesto para juntas de tuberías (resistente al gas propano y al gas natural). Gírela de modo que esté apretada a mano más 1/3 de vuelta. No exceda 1 vuelta para la alineación, a fin de evitar posibles daños al regulador de presión de gas.



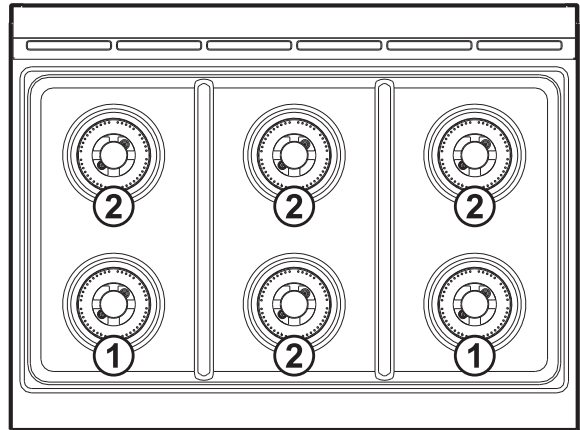
- 1 Entrada de gas (fijada al aparato).
- 2 Empaquetadura.
- 3 Regulador de presión.

**¡ATENCIÓN** No permita que el regulador gire en la tubería al apretar los accesorios.

**¡ADVERTENCIA** No intente ajustar el regulador de presión, excepto al convertirlo a propano. Los ajustes podrían provocar fugas o causar una presión de gas incorrecta en el aparato.

## Tablas técnicas de quemadores y de boquillas

### Quemadores de la placa de cocción



#### Potencia del quemador y tabla de derivación

Quemador n.º	1	2
Potencia máx. (BTU)	18000	12000
Potencia mín. (BTU)	750	750
Derivación (mm)	75 / 26	55 / 26

#### Tabla de las boquillas de gas natural (Presión en c.d.a.: 5")

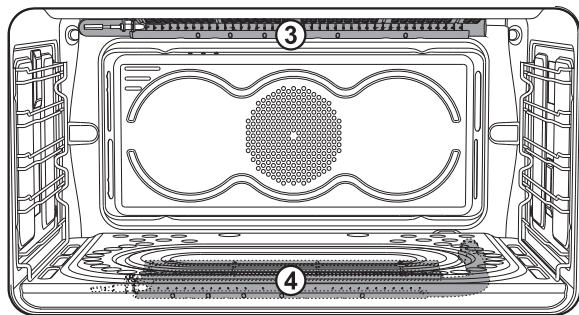
Quemador n.º	1	2
Número de la boquilla exterior	180	135
Número de la boquilla interior	75	75

#### Tabla de las boquillas de gas propano (Presión en c.d.a.: 10")

Quemador n.º	1	2
Número de la boquilla exterior	115	91
Número de la boquilla interior	48	48

# INSTRUCCIONES DE MONTAJE DE LA ESTUFA DE GAS DE 36"

## Quemadores de la cavidad del horno



3: Parrilla de gas

4: Quemador del horno

### Potencia de quemador del horno y de la parrilla de gas

Quemador n.º	3	4
Potencia (BTU)	14000	17000

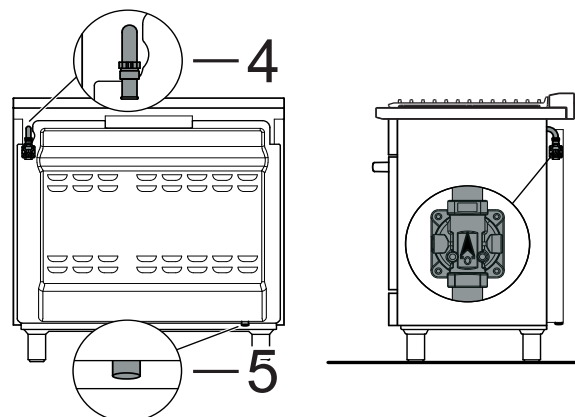
### Tabla de las boquillas de gas natural (Presión en c.d.a.: 5")

Quemador n.º	3	4
Número de la boquilla	165	180

### Tabla de las boquillas de gas propano (Presión en c.d.a.: 10")

Quemador n.º	3	4
Número de la boquilla	110	117

## Posición de las conexiones de gas y eléctricas del aparato



4 Conexión del gas

5 Conexión eléctrica

Conecte la línea de suministro de gas al regulador de presión de la unidad mediante un conector de línea de gas flexible de 1/2" entre la válvula de cierre manual y el regulador de presión. Se debe utilizar una línea metálica flexible o una tubería metálica fija para conectar el gas al aparato. Si no se puede utilizar una línea de gas de metal, consulte a su electricista certificado local o los códigos eléctricos locales para una conexión a tierra correcta.

Compruebe si hay fugas en las conexiones de la línea de suministro con una solución jabonosa o un fluido de detección de fugas no corrosivo. No utilice llamas de ningún tipo.

**⚠ ADVERTENCIA** Instale una válvula de cierre de gas cerca del aparato. Después de la instalación, debe quedar fácilmente accesible en caso de emergencia.

1. Encienda el gas.
2. Aplique una solución jabonosa o un fluido de detección de fugas no corrosivo a todas las juntas y accesorios de la conexión de gas entre la válvula de cierre y la placa de cocción. Incluya los accesorios de gas y las juntas de la placa si las conexiones pudieran haber sido perturbadas durante la instalación. La presencia de burbujas cerca de las conexiones y los accesorios indica la presencia de escapes.
3. Si detecta una fuga, apague la válvula de cierre de la línea de suministro de gas y apriete las conexiones.
4. Vuelva a comprobar si hay fugas encendiendo la válvula de cierre de la línea de suministro de gas. Una vez completada la comprobación de fugas (no aparecen burbujas), la prueba habrá finalizado.



# INSTRUCCIONES DE MONTAJE DE LA ESTUFA DE GAS DE 36"

5. Limpie todos los residuos de la solución jabonosa o del líquido de detección.

## Notas importantes para la conexión del gas:

- El aparato y su válvula de cierre de gas individual se deben desconectar del sistema de tuberías de suministro de gas durante las pruebas de presión del sistema con presiones superiores a 1/2 psi (3,5 kPa).
- El aparato debe aislarse del sistema de tuberías de suministro de gas, cerrando la respectiva válvula de cierre manual durante las pruebas de presión del sistema de suministro de gas cuando las presiones son iguales o inferiores a 1/2 psi (3,5 kPa).

## Comprobación de fugas de gas

**⚠ ADVERTENCIA** NUNCA utilice una llama para comprobar la existencia de fugas de gas.

Se debe realizar la comprobación de fugas de gas antes de comprobar el encendido eléctrico de los quemadores:

1. Encienda el suministro de gas.
2. Aplique un fluido de detección de fugas no corrosivo (por ejemplo, agua jabonosa) a todas las juntas y conductos.
3. Si aparecen burbujas, significa que hay una fuga. Apague el suministro de gas y apriete las conexiones.
4. Vuelva a realizar la prueba. Si no aparecen burbujas, la prueba habrá sido superada. Limpie todos los residuos del líquido de detección.

## Comprobación del encendido eléctrico del quemador


Esta prueba debe realizarse tras haber comprobado cuidadosamente las fugas de los conectores de la estufa y de la línea de suministro y después de que la estufa se haya conectado al suministro de energía eléctrica:

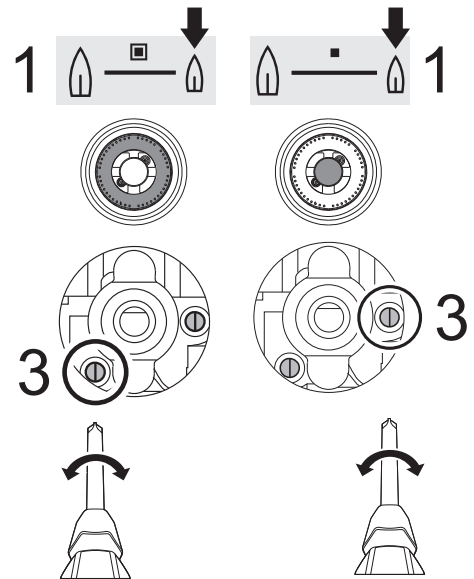
1. Apriete y gire una de las perillas del quemador de la superficie a la posición de llama baja. Escuchará las chispas del encendedor.
2. El quemador de la superficie debería encenderse al suministrar gas a los quemadores de la placa. Cada quemador debería encenderse en cuatro (4) segundos, una vez purgado el aire de las líneas de suministro. Compruebe visualmente que el quemador se haya encendido.
3. Cuando se enciende el quemador, la perilla de control se debe alejar de la posición de llama baja.
4. Hay dispositivos de encendido independientes para cada quemador. Pruebe las perillas juntas y por separado hasta comprobar todas las válvulas de los quemadores.

## Ajuste de la configuración mínima de gas

Como todos los quemadores de la placa son de llama doble, la configuración mínima de gas se debe ajustar tanto para el anillo exterior como para el interior.

Estas instrucciones hacen referencia a un quemador individual. Repita los siguientes pasos para cada quemador de la placa.

1. Presione la perilla de control del quemador y enciéndala a la posición mínima .
2. Retire la perilla de control del quemador, junto con el resorte cónico y el anillo de la perilla.
3. Apriete o afloje los tornillos destacados para ajustar la altura mínima de la llama.



## Conversión a gas propano (GLP)

### ⚠ ADVERTENCIA

- Antes de proceder a la conversión del gas, es preciso cortar el suministro de gas antes de desconectar la alimentación eléctrica.
- Se debe realizar una comprobación de fugas de gas una vez llevada a cabo la conversión de gas.

### Proporcione siempre un suministro de gas adecuado.

Este aparato sale de la fábrica listo para el uso con gas natural. Utilice este kit para convertir el aparato para el uso con gas propano, en caso de ser necesario. Cumpla con lo siguiente: Asegúrese de haber convertido la estufa para su uso con el gas apropiado antes de utilizarla.

# INSTRUCCIONES DE MONTAJE DE LA ESTUFA DE GAS DE 36"

Este aparato está diseñado para funcionar a una presión de 10" de columna de agua cuando se utiliza con gas propano. Al comprobar si el regulador funciona correctamente, la presión de entrada debe ser al menos 1" mayor que la presión de funcionamiento (del colector) anterior. Cuando se convierte para su uso con gas propano, la presión suministrada al regulador debe estar entre 11" y 13" de columna de agua.

El regulador de presión situado en la entrada del colector de la estufa debe permanecer en la línea de suministro.

Utilice un conector flexible y metálico o una tubería rígida para conectar la estufa al suministro de gas. El conector debe tener un diámetro interior de 1/2" y una longitud de 5 pies (1,5 m) o menos.

(Excepción: La longitud máxima del conector en las instalaciones de Massachusetts es de 3 pies (0,9 m). En Canadá, el conector debe ser de metal de una sola pared e inferior a 6 pies (1,8 m).

Conserve las boquillas que se quiten del aparato para usarlas en el futuro.

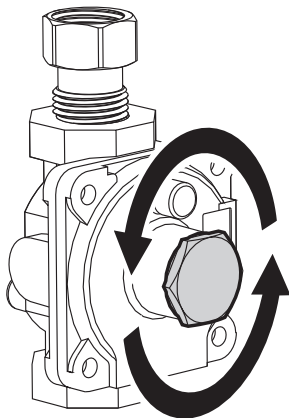
**¡ATENCIÓN!** Antes de proceder a la conversión del gas, es preciso cortar el suministro de gas antes de desconectar la alimentación eléctrica.

## Piezas incluidas con el kit de boquillas de gas propano:

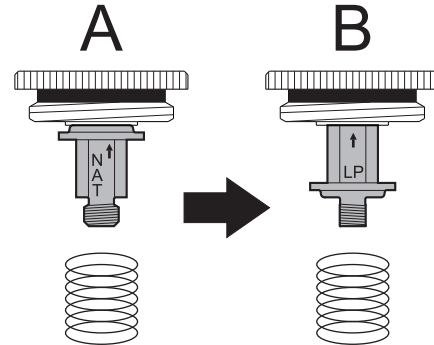
- 6 x boquillas número 48
- 4 x boquillas número 91
- 2 x boquillas número 115
- 1 x boquilla número 110
- 1 x boquilla número 117
- 1 x etiqueta adhesiva para boquillas LPG
- 1 x etiqueta de advertencia para el cambio de las boquillas
- 1 x junta de sello

## Configuración del regulador de presión para gas propano

1. Desenrosque la tapa reguladora.



2. Desenrosque el vástago regulador de plástico de la tapa reguladora. La configuración "A" es para gas natural.
3. Invierta el vástago regulador de plástico para conseguir la configuración "B" de gas propano y enrósquelo firmemente.



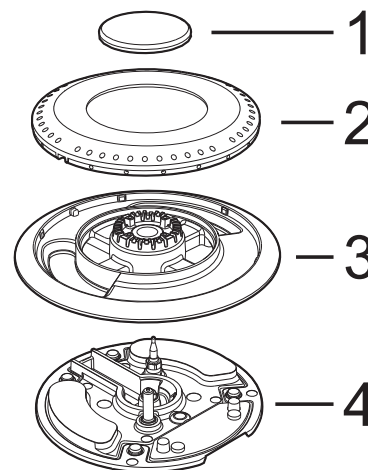
4. Enrosque el vástago y la tapa reguladores en su lugar.

### NOTA:

Cuando se convierte para su uso con gas propano, la presión suministrada al regulador debe estar entre 11" y 13" de columna de agua.

## Sustitución de las boquillas de los quemadores de la placa de cocción

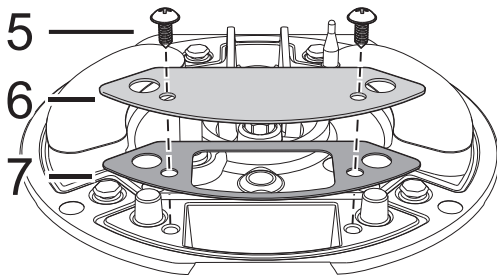
1. Retire las rejillas de la placa.
2. Retire la tapa del quemador (1), la corona esparcidora de llama (2) y el zócalo del quemador (3) de la base del quemador (4).



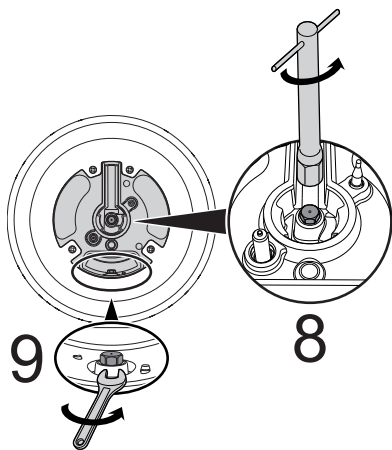


# INSTRUCCIONES DE MONTAJE DE LA ESTUFA DE GAS DE 36"

3. Retire los tornillos de fijación (5), la placa protectora (6) y la empaquetadura (7).



4. Retire las boquillas internas (8) y externas (9) y sustítuyalas con las boquillas de gas propano (vea «Tabla de las boquillas de gas propano (Presión en c.d.a.: 10"»)).



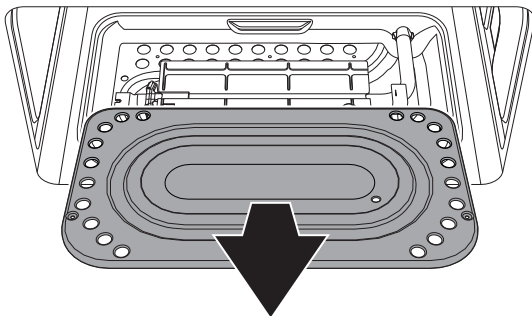
**¡ATENCIÓN** Este procedimiento se debe llevar a cabo para cada quemador.

5. Vuelva a montar los componentes del quemador siguiendo las instrucciones anteriores al revés.

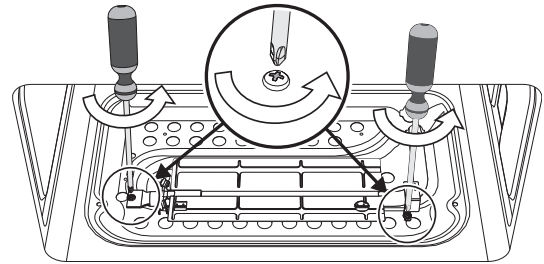
## Sustitución de la boquilla del quemador del horno

**¡ATENCIÓN** Procure no dañar el termopar o el encendedor durante las siguientes operaciones.

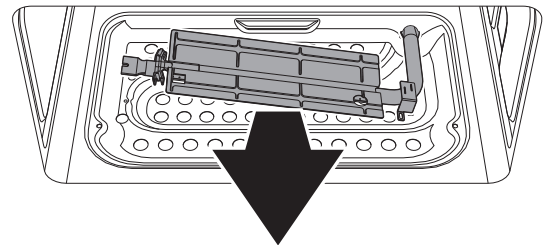
1. Abra la puerta del horno y quite todos los accesorios del interior del horno.
2. Quite el estante.



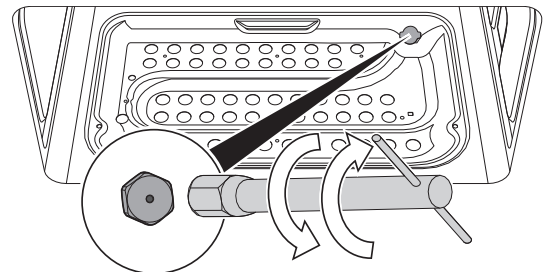
3. Quite los tornillos de fijación del quemador del horno de la base.



4. Levante suavemente el quemador por el lateral y tire de él hacia fuera para extraerlo de su sede.



5. Sustituya la boquilla utilizando una llave de tubo de 7 mm; instale la más adecuada para el tipo de gas utilizado.



## NOTA:

El par de apriete de la boquilla debe ser de 4 Nm.

6. Luego de sustituir la boquilla, vuelva a colocar el quemador en su lugar.
7. Apriete los tornillos de fijación del quemador.
8. Vuelva a colocar el estante en su lugar.

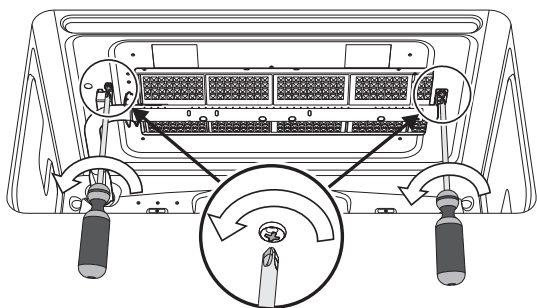
## Sustitución de la boquilla de la parrilla de gas

**¡ATENCIÓN** Procure no dañar el termopar o el encendedor durante las siguientes operaciones.

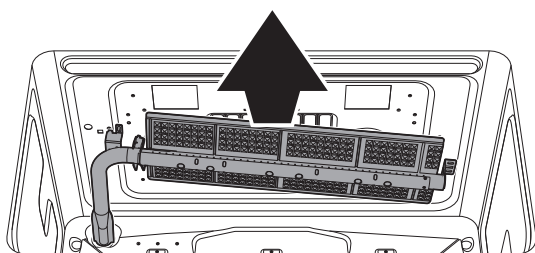
1. Abra la puerta y quite todos los accesorios del interior del horno.

# INSTRUCCIONES DE MONTAJE DE LA ESTUFA DE GAS DE 36"

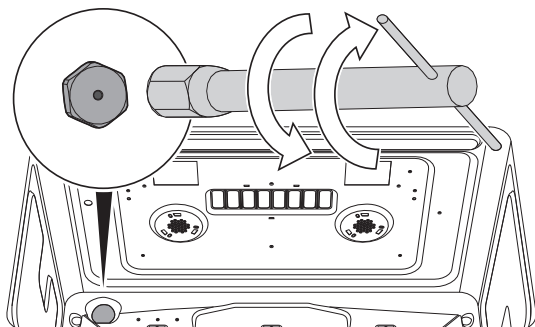
2. Afloje los tornillos que sujetan el quemador de gas con el grill a la parte superior del horno.



3. Sacar suavemente el quemador hasta que sea posible acceder a la boquilla.



4. Sustituya la boquilla con la más adecuada para el tipo de gas utilizado, mediante una llave de tubo de 7 mm.



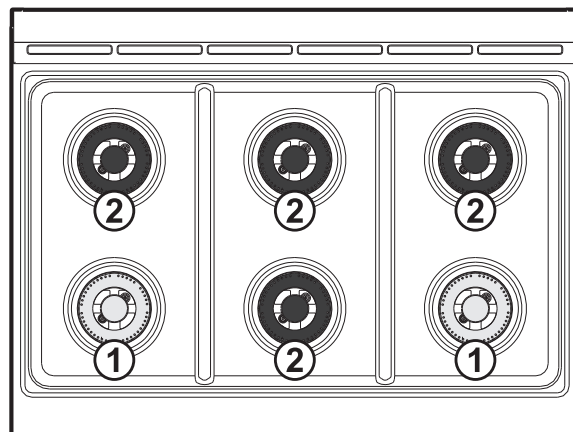
## NOTA:

El par de apriete de la boquilla debe ser de 4 Nm.

5. Luego de sustituir la boquilla, vuelva a colocar el quemador en su lugar.
6. Apriete los tornillos de fijación del quemador.

## Ubicación correcta de los quemadores de la placa de cocción

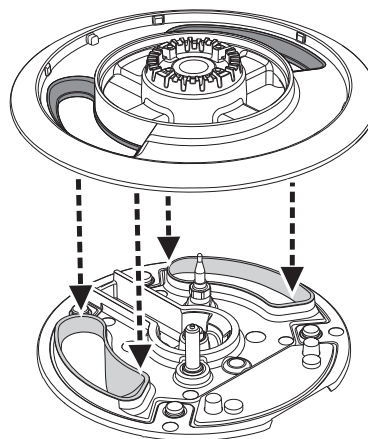
Preste atención a la hora de colocar los quemadores en las zonas correctas antes de proceder a su reinstalación.



1. Quemadores con recubrimiento de latón de 18000 BTU: deberán ubicarse en las zonas izquierda y derecha delanteras.
2. Quemadores con recubrimiento negro de 12000 BTU: deberán ubicarse en todas las demás zonas.

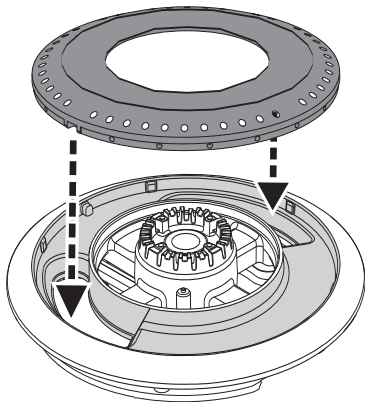
## Volver a montar los quemadores

Para una instalación correcta, la forma de las aberturas del zócalo del quemador debe coincidir con la forma de las aberturas de la base del quemador.

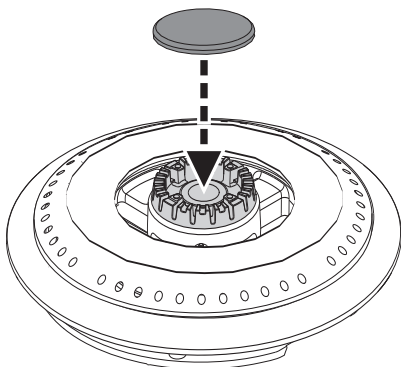


# INSTRUCCIONES DE MONTAJE DE LA ESTUFA DE GAS DE 36"

La corona esparcidora de llama debe estar centrada en el zócalo del quemador.



La tapa del quemador debe estar nivelada y centrada con respecto al zócalo del quemador.



Todos los componentes del quemador deben colocarse de manera horizontal y encajar correctamente entre sí.

Compruebe que estén fijados correctamente moviendo con cuidado cada componente. Si los componentes no encajan correctamente o están inclinados, ajuste la posición de cada uno de ellos hasta que se queden fijos en su lugar.

## Fijación a la pared y al suelo

### ⚠ ADVERTENCIA



### Peligro de descarga eléctrica

- Actúe con extrema precaución al taladrar agujeros en la pared o en el suelo. Podría haber cables eléctricos empotrados en la pared o debajo del suelo.
- Localice los circuitos eléctricos que podrían verse afectados por la instalación del dispositivo antivuelco y córtelos el suministro de corriente.
- El incumplimiento de estas instrucciones puede ocasionar descargas eléctricas u otras lesiones personales.

### ⚠ ATENCIÓN

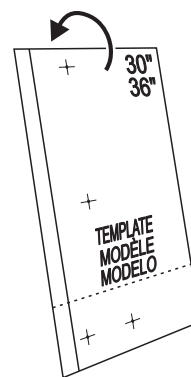
- Póngase en contacto con un instalador o constructor cualificado para determinar el método adecuado para taladrar agujeros en la pared o en el suelo (baldosas cerámicas, madera, etc.).
- El incumplimiento de estas instrucciones puede ocasionar daños a las paredes o al revestimiento del suelo.

### ⚠ ADVERTENCIA

Compruebe visualmente desde el interior del cajón que el soporte de montaje a la pared/suelo esté bien puesto en el gancho lateral correspondiente (a la izquierda).

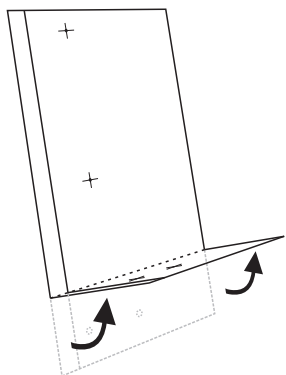
Coloque el soporte utilizando la plantilla:

1. Elija el lado correcto de la plantilla, en función del modelo.

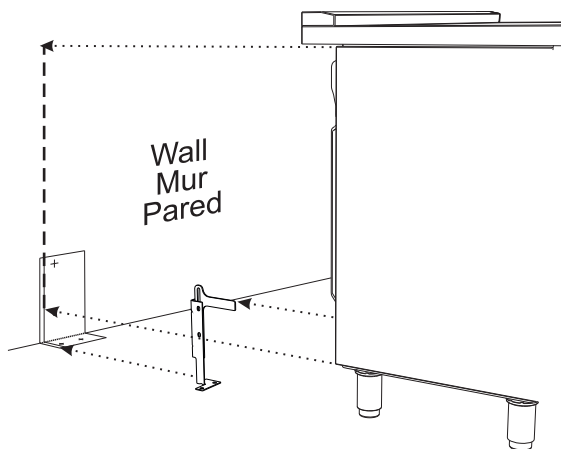


# INSTRUCCIONES DE MONTAJE DE LA ESTUFA DE GAS DE 36"

2. Doble la plantilla siguiendo la línea discontinua horizontal.



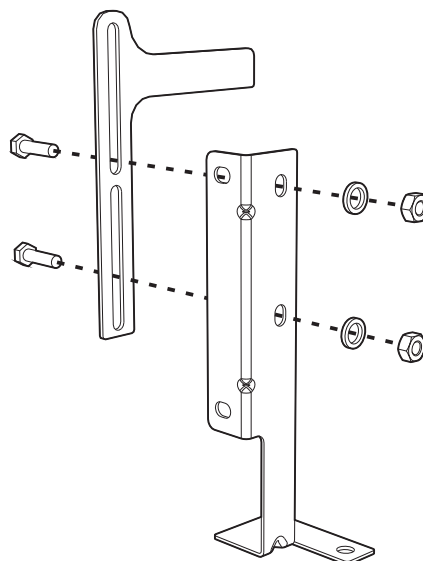
3. Coloque la plantilla de manera que la línea gruesa vertical dibujada sobre ella esté alineada con el borde del lado izquierdo del aparato.



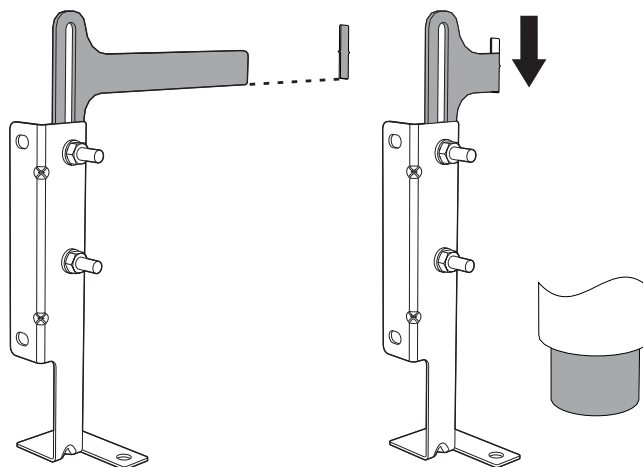
4. Marque la posición de los agujeros de los tornillos, en la pared o en el suelo, dependiendo de cómo desee fijar el soporte.
5. Fije el soporte antivuelco.

Instalación del soporte antivuelco:

1. Verifique que la conexión eléctrica esté en la posición correcta.
2. Monte el soporte.



3. Alinee la base del gancho del soporte con la base en la ranura del soporte de fijación de la pared trasera. Alinee la base del soporte de fijación con el suelo y apriete los tornillos para fijar las medidas.

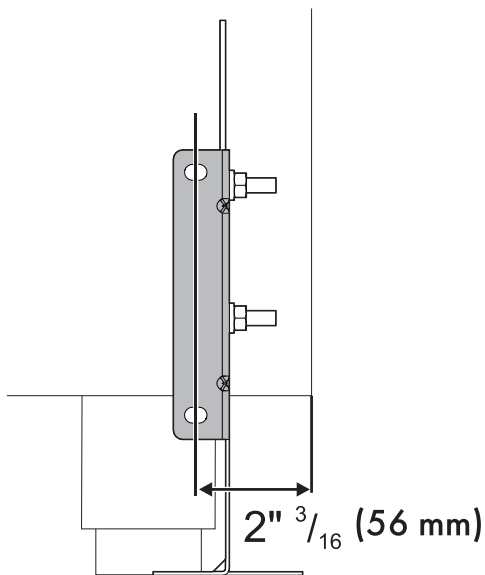


4. Para la fijación a la pared, vaya a los pasos 5, 6, 9 y 10. Para la fijación al suelo, vaya a los pasos 7, 8, 9 y 10.

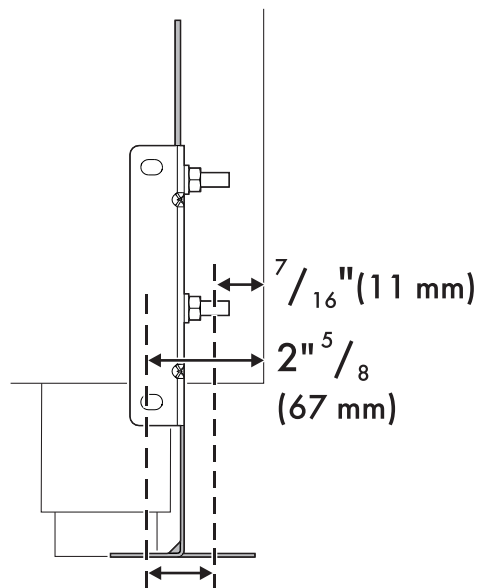
**NOTA:** Se recomienda la fijación a la pared si el aparato está colocado contra la misma. La fijación al suelo se recomienda en caso de instalación de isla.

# INSTRUCCIONES DE MONTAJE DE LA ESTUFA DE GAS DE 36"

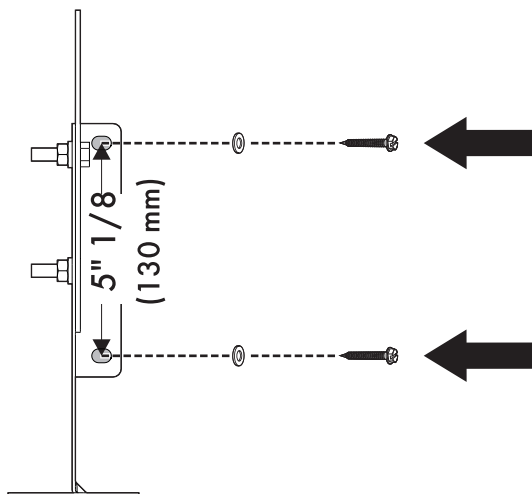
5. Use la distancia especificada desde el lateral del aparato hasta los agujeros del soporte.



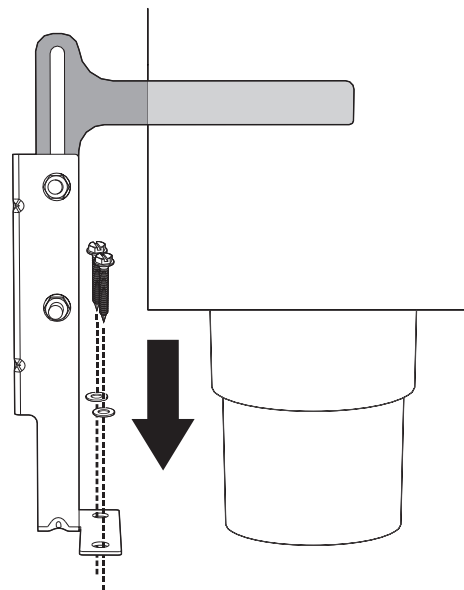
7. Use las siguientes distancias para la distancia desde el lateral del aparato hasta los agujeros del soporte.



6. Mueva el soporte a la pared y fíjelo con las dos arandelas y tornillos. Un técnico cualificado debe comprobar la idoneidad de los materiales de acuerdo con el tipo y la condición de la pared.

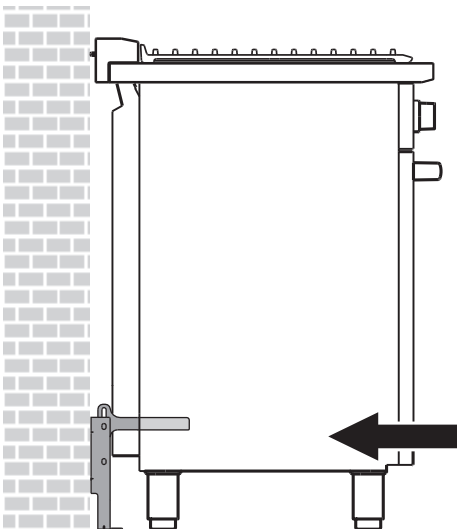


8. Tras haber colocado y nivelado el aparato, mueva el soporte cerca de la parte posterior del aparato y fíjelo al suelo utilizando las dos arandelas y tornillos. Un técnico cualificado debe comprobar la idoneidad de los materiales de acuerdo con el tipo y la condición del suelo.



## INSTRUCCIONES DE MONTAJE DE LA ESTUFA DE GAS DE 36"

9. Empuje la estufa hacia la pared y, al mismo tiempo, introduzca el soporte en la placa que está fijada a la parte trasera del aparato.

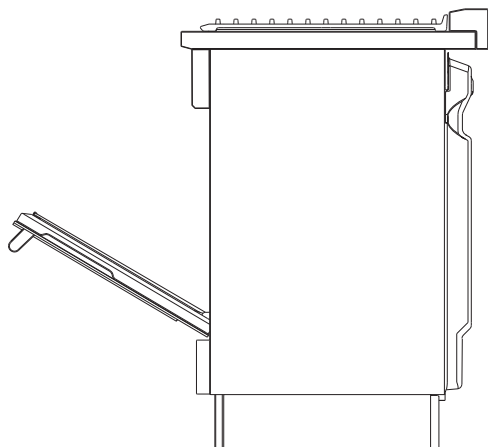


**ADVERTENCIA** Los bordes de la abertura de ventilación trasera tienen separadores de 3/16" (5 mm) para mantener el aparato ligeramente alejado de la pared trasera. No retire ni altere los separadores debido a posibles problemas de temperatura.

10. Compruebe la correcta instalación y utilización del soporte antivuelco. Incline cuidadosamente la estufa hacia adelante tirando de la parte trasera para garantizar que el soporte antivuelco esté enganchado a la pata de la estufa y evite que se vuelque. La estufa no debería moverse más de 1" (2,5 cm).

### Desmontaje de la puerta

No es necesario desmontar la puerta para instalar la estufa, pero es una comodidad más. Haga referencia a la "Guía de uso y cuidado" para las instrucciones desmontaje de la puerta del horno.



914780124-A-432021