

Frigidaire Professional



Electric Range

30" Front Control Electric Range with Air Fry

PCFE3078AF

Available Colors : Stainless Steel

Version : 07/21

Cooktop

Cooking Surface Type	Smooth
Element On Indicator Light	Yes

Cooktop Performance

Right Front Element Burner Size (Small)	9"
Right Front Element Burner Size (Large)	12"
Right Rear Element Burner Size	6"
Left Front Element Burner Size	7"
Left Rear Element Burner Size	7"
Right Front Element Burner (Small)	1,800 Watts
Right Front Element Burner (Large)	3,000 Watts
Right Rear Element Burner	1,200 Watts
Left Front Element Burner	1,800 Watts
Left Rear Element Burner	1,800 Watts
Keep Warm Burner Location	Center

Cooking Controls

Bake	Yes
Broil	Yes
Cancel	Yes
Convection Bake	Yes
Convection Broil	Yes
Convection Roast	Yes
Delay Clean	Yes
Keep Warm	Yes
Probe	Yes
Quick Preheat	Yes
Self Clean	Yes

Oven

Convection Element	900 Watts
Number of Rack Positions	6
Rack Position Type	Nickel Ladder
Rack Type 1	Handle
Rack Type 1 Quantity	1

Rack Type 2	Glide
Rack Type 2 Quantity	1
Rack Type 3	Air Fry Tray
Rack Type 3 Quantity	1
Window Type	Extra Large Window

Drawer

Drawer Type	Storage
-------------	---------

Controls

Sabbath Mode	Yes
--------------	-----

Display

Control Location	Front
Display Type	Capacitive Touch

Exterior

Cooktop Finish	Black
Drawer Finish	Stainless Steel
Exterior Finish	Smudge-Proof® Stainless Steel
Knob Color	Stainless Steel
Knob Material	Stainless Steel

Dimensions and Volume

Height	36 5/8"
Width	29 7/8"
Depth	26 3/4"
Depth With Door 90° Open	47"
Depth With Handle	29"
Oven Interior Height	19 7/8"
Oven Interior Width	24 3/8"
Oven Interior Depth	19 1/8"
Oven Capacity	5.4 Cu. Ft.

Electrical Specifications

Minimum Circuit Required	40 Amps
--------------------------	---------

Note: For planning purposes only. Always consult local and national electric, gas and plumbing codes.

Refer to Product Installation Guide for detailed installation instructions on the web at frigidaire.com / frigidaire.ca

Specifications subject to change. Accessories information available on the web at frigidaire.com / frigidaire.ca

USA • 10200 David Taylor Drive • Charlotte, NC 28262 • 1-800-FRIGIDAIRE • frigidaire.com

CANADA • 5855 Terry Fox Way • Mississauga, ON L5V 3E4 • 1-800-265-8352 • frigidaire.ca

Frigidaire Professional

30" Front Control Electric Range with Air Fry

PCFE3078AF

Version : 07/21

Voltage Rating	240 V
----------------	-------

Installation

Adjustable Leveling Legs	Yes
Power Supply Connection Location	Bottom Left

General Specifications

Product Weight	180 lbs
Prop 65 Label	Yes
Warranty - Labor	1 Year
Warranty - Parts	1 Year
Frigidaire Fit Promise	Yes

Certifications and Approvals

ADA Compliant	Yes
---------------	-----

Safety Certifications and Approvals

UL Listed	Yes
-----------	-----

Note: For planning purposes only. Always consult local and national electric, gas and plumbing codes.

Refer to Product Installation Guide for detailed installation instructions on the web at frigidaire.com / frigidaire.ca

Specifications subject to change. Accessories information available on the web at frigidaire.com / frigidaire.ca

USA • 10200 David Taylor Drive • Charlotte, NC 28262 • 1-800-FRIGIDAIRE • frigidaire.com

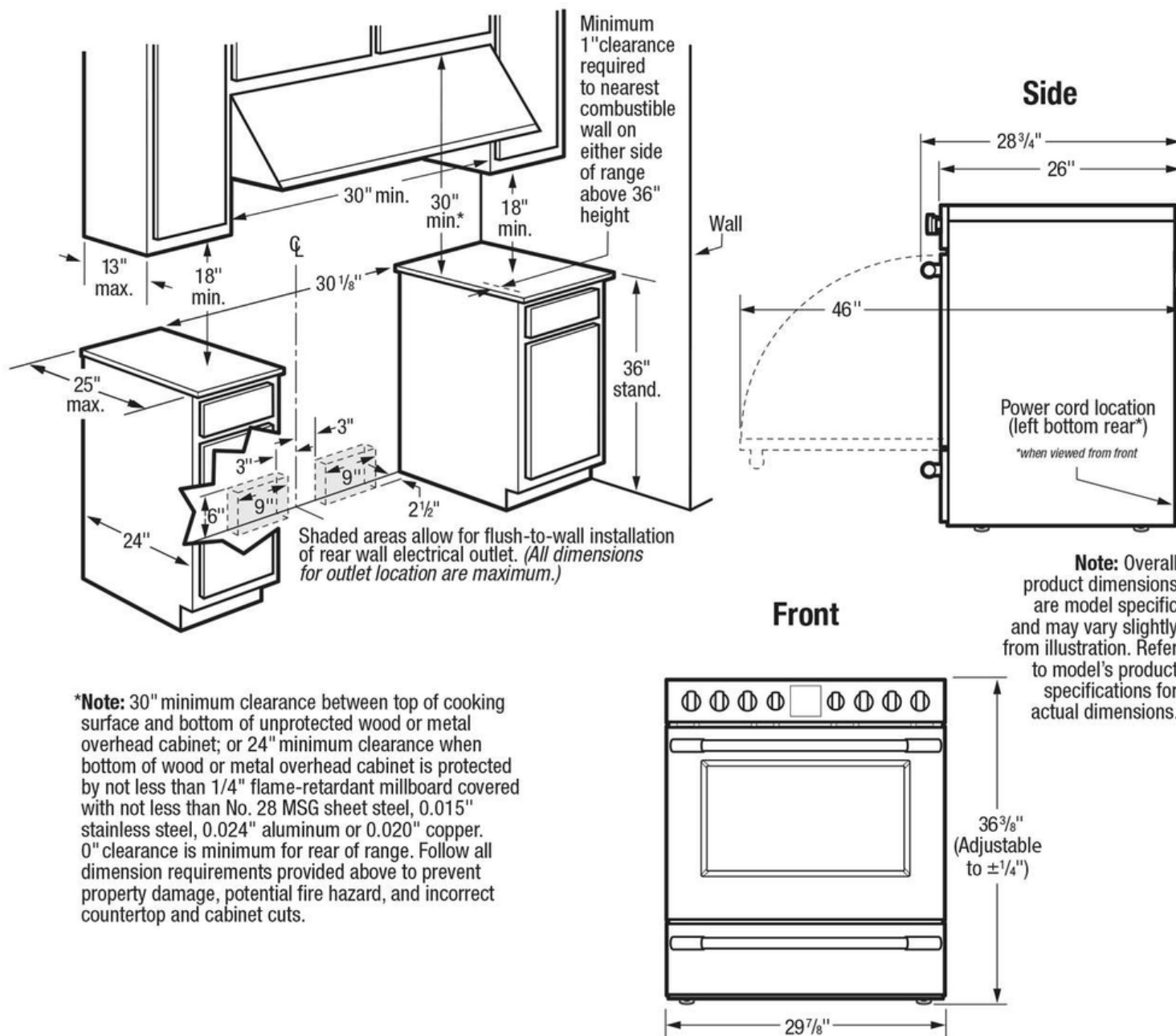
CANADA • 5855 Terry Fox Way • Mississauga, ON L5V 3E4 • 1-800-265-8352 • frigidaire.ca

Frigidaire Professional

30" Front Control Electric Range with Air Fry

PCFE3078AF

Version : 07/21



Note: Overall product dimensions are model specific and may vary slightly from illustration. Refer to model's product specifications for actual dimensions.

***Note:** 30" minimum clearance between top of cooking surface and bottom of unprotected wood or metal overhead cabinet; or 24" minimum clearance when bottom of wood or metal overhead cabinet is protected by not less than 1/4" flame-retardant millboard covered with not less than No. 28 MSG sheet steel, 0.015" stainless steel, 0.024" aluminum or 0.020" copper. 0" clearance is minimum for rear of range. Follow all dimension requirements provided above to prevent property damage, potential fire hazard, and incorrect countertop and cabinet cuts.

Note: For planning purposes only. Always consult local and national electric, gas and plumbing codes. Refer to Product Installation Guide for detailed installation instructions on the web at frigidaire.com / frigidaire.ca Specifications subject to change. Accessories information available on the web at frigidaire.com / frigidaire.ca