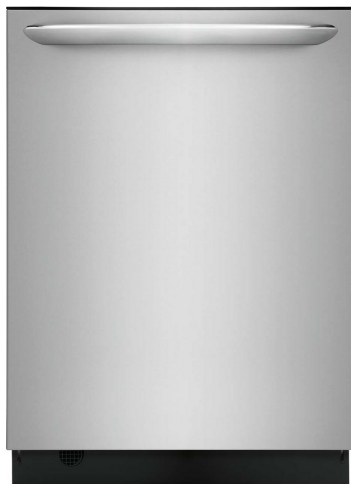


# FRIGIDAIRE

## GALLERY



### 24" Built-In Dishwasher with Dual OrbitClean® Wash System

Dishwasher

Available Products: FGID2468UD, FGID2468UF

Available Colors: Black Stainless Steel, Stainless Steel

Version: 11/22

## Product Specifications

### Dishwasher

|                                  |                 |
|----------------------------------|-----------------|
| Automatic Temperature Control    | Yes             |
| Filter Material                  | Stainless Steel |
| Filter Trap                      | Removable       |
| Filtered Water                   | 100 %           |
| Hard Food Disposer or Filtration | Yes             |
| Motor Speeds                     | 2               |
| Place Setting Capacity           | 14              |
| Rinse Aid Dispenser              | Yes             |
| Smart Soil Sensor                | Yes             |
| Spray Arm                        | Dual Orbit      |
| Tub Design                       | Tall Tub        |
| Tub Material                     | Plastic         |
| Wash Levels                      | 5               |
| Wash System                      | Direct Feed     |
| Water Pressure                   | 120 psi         |
| Water Usage                      | 8.5 Gallons     |

### Dishwasher Options

|                  |          |
|------------------|----------|
| Drying System    | MaxBoost |
| Heated Dry       | Yes      |
| High Temperature | Yes      |

### Upper Rack

|                          |            |
|--------------------------|------------|
| Cup Shelf                | Yes        |
| Fold-Down                | Yes        |
| Maximum Height Clearance | 8"         |
| Minimum Height Clearance | 7 3/8/100" |

### Controls

|                   |     |
|-------------------|-----|
| Delay Start Hours | 24  |
| Digital Display   | Yes |
| Control Lock      | Yes |

### Dimensions and Volume

|                      |         |
|----------------------|---------|
| Minimum Height       | 33 1/2" |
| Maximum Height       | 35 1/4" |
| Width                | 24"     |
| Depth                | 25"     |
| Depth With Door Open | 49 1/4" |

### Installation

|                         |                   |
|-------------------------|-------------------|
| Number of Leveling Legs | 4                 |
| Water Inlet Location    | Left Bottom Front |

### Dishwasher Cycles

|                  |     |
|------------------|-----|
| China Crystal    | Yes |
| Energy Saver     | Yes |
| Favorite         | Yes |
| Heavy            | Yes |
| Normal           | Yes |
| Number of Cycles | 8   |
| Quick            | Yes |
| Rinse Only       | Yes |
| Upper Rack       | Yes |

### Lower Rack

|                             |     |
|-----------------------------|-----|
| Maximum Height Clearance    | 13" |
| Minimum Height Clearance    | 11" |
| Number of Silverware Basket | 1   |

### Third Level Rack

|              |     |
|--------------|-----|
| Rack Handles | Yes |
|--------------|-----|

### Exterior

|            |         |
|------------|---------|
| Door Latch | Pull    |
| Door Type  | StayPut |

### Electrical Specifications

|                |       |
|----------------|-------|
| Voltage Rating | 120 V |
|----------------|-------|

### General Specifications

|                  |         |
|------------------|---------|
| Sound Level      | 49 dBA  |
| Annual Energy    | 268 kWh |
| Warranty - Labor | 1 Year  |
| Warranty - Parts | 1 Year  |

### Safety Certifications and Approvals

|               |     |
|---------------|-----|
| UL Listed     | Yes |
| NSF Certified | Yes |

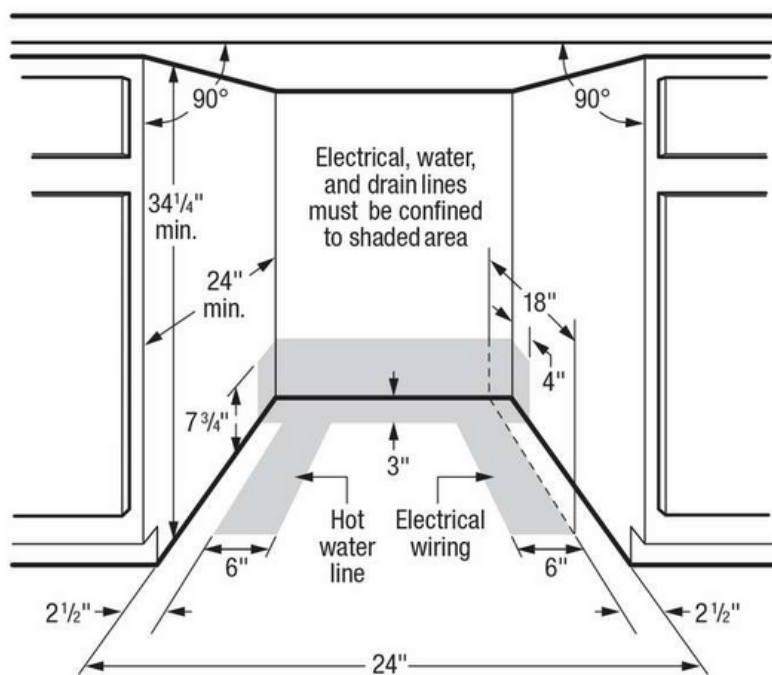
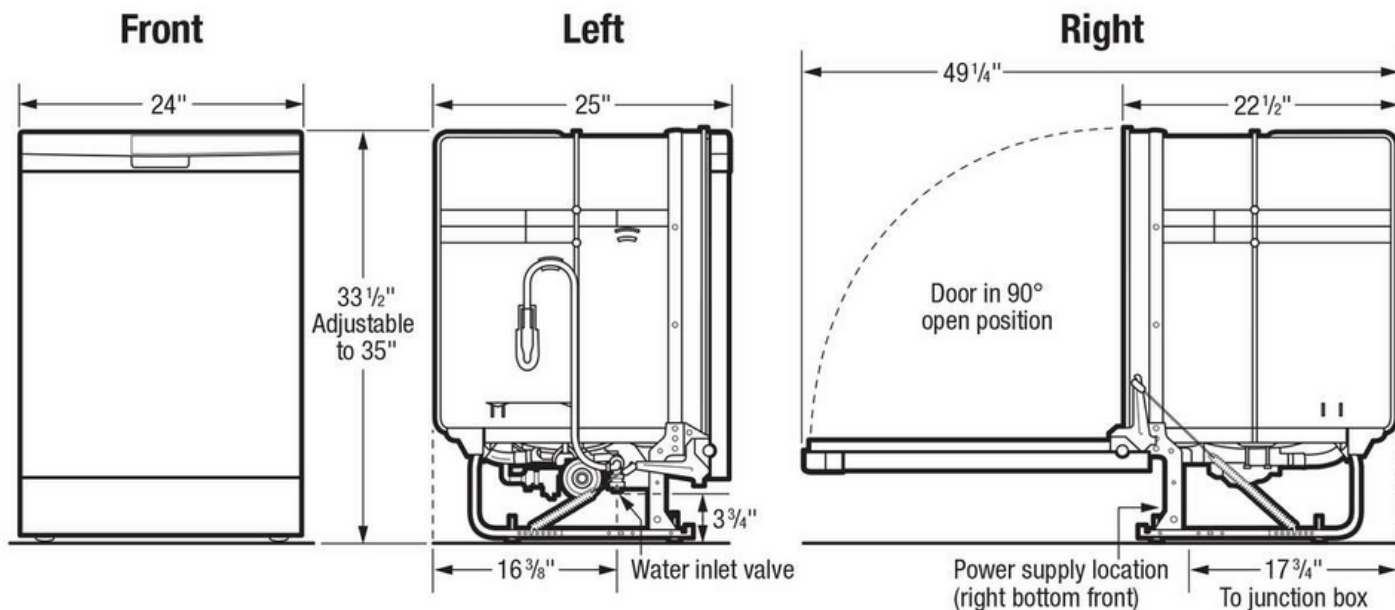
For planning purposes only. We reserve the right to change specifications or discontinue models without notice. Refer to Product Installation Guide for detailed installation instructions on the web at [frigidaire.com / frigidaire.ca](http://frigidaire.com/frigidaire.ca)  
Electrolux Major Appliances, N.A.

USA • 10200 David Taylor Drive • Charlotte, NC 28262 • Charlotte, NC 28262 • 1-877-4electrolux (1-877-435-3287) • [frigidaire.com](http://frigidaire.com)  
CANADA • 5855 Terry Fox Way • Mississauga, ON L5V 3E4 • 1-800-265-8352 • [frigidaire.ca](http://frigidaire.ca)

**Performance Certifications and Approvals**

|                       |        |
|-----------------------|--------|
| CEE Tier              | Tier 1 |
| ENERGY STAR Certified | Yes    |

**Installation Diagram**



24" Built-In Dishwasher with Dual OrbitClean® Wash System Dishwasher

---

Available Products: FGID2468UD, FGID2468UF

Available Colors: Black Stainless Steel, Stainless Steel

---

Version: 11/22

---