

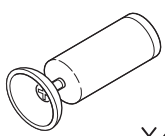
# FVN3310

## CONTENTO

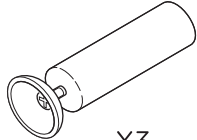
### INSTALLATION GUIDE



### PARTS:



X4



X3



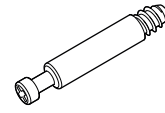
X5



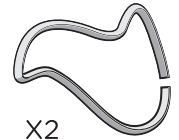
X7



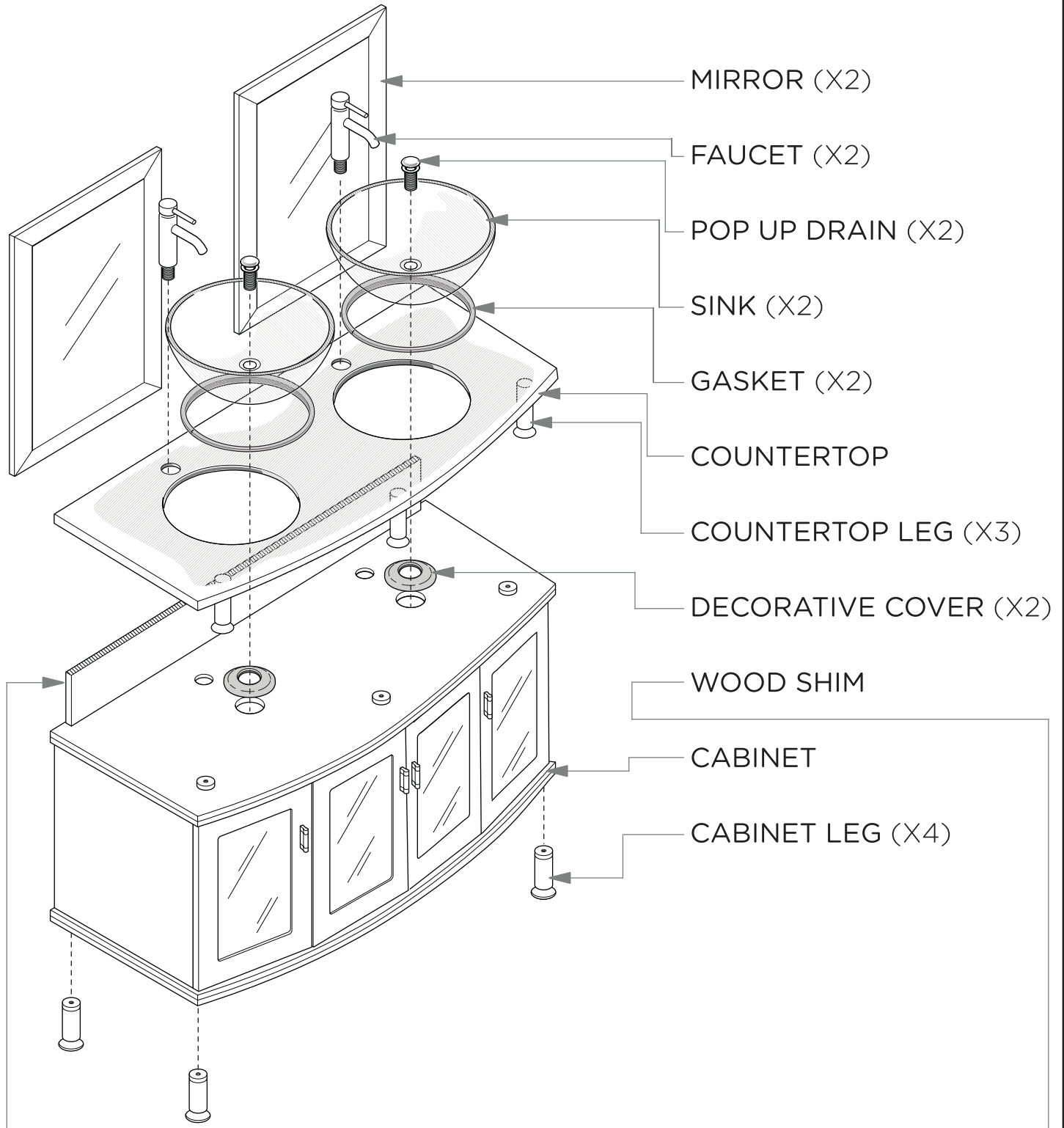
X2



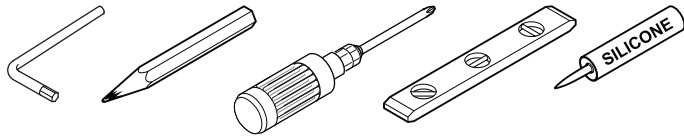
X5



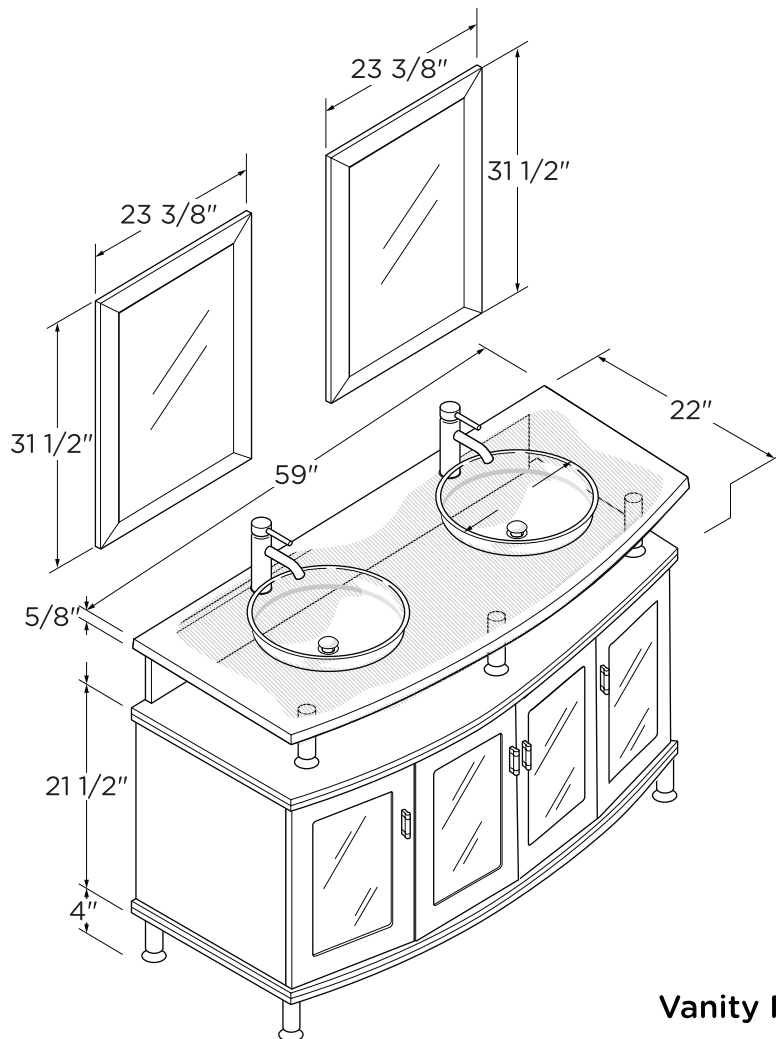
X2



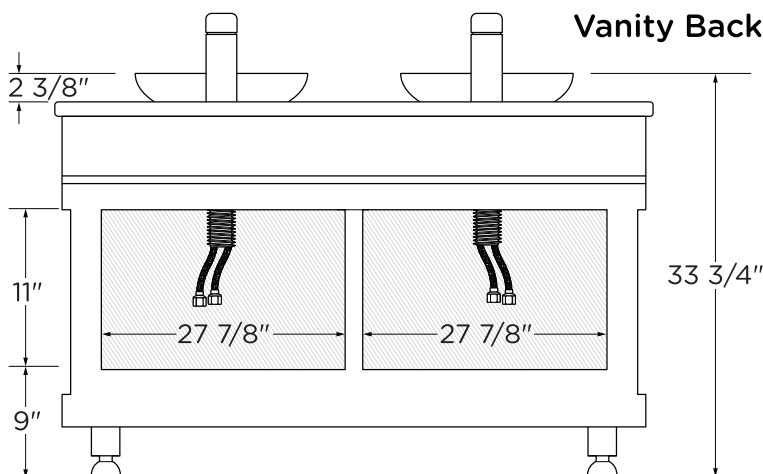
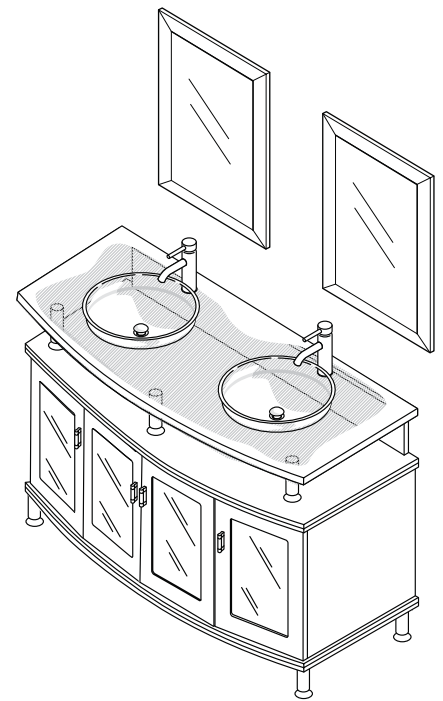
## TOOLS REQUIRED FOR ASSEMBLY



## DIMENSIONS:



Vanity Front



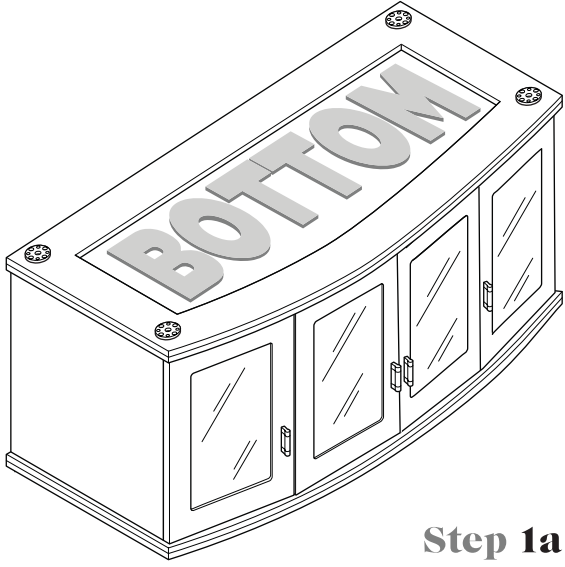
Vanity Back

### Note:

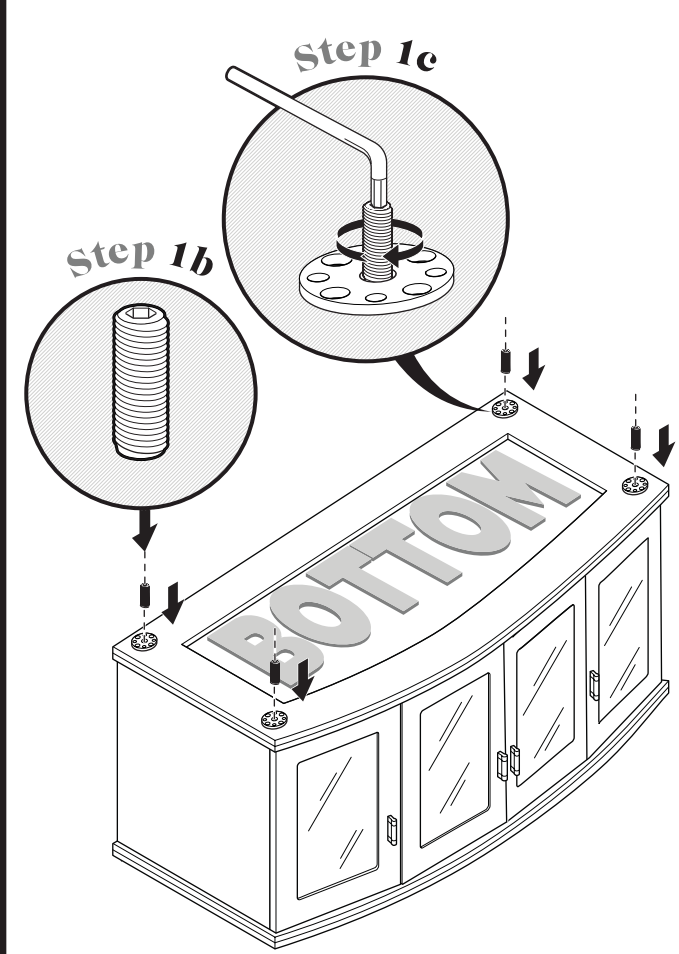
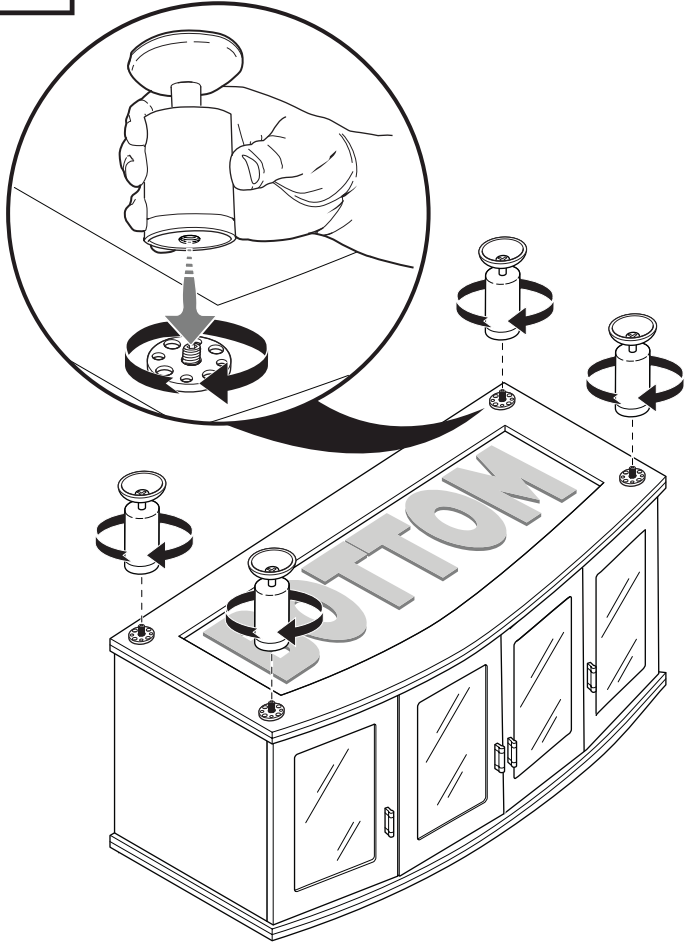
All dimensions & specifications are approximate and subject to change without notice.

# LEGS INSTALLATION:

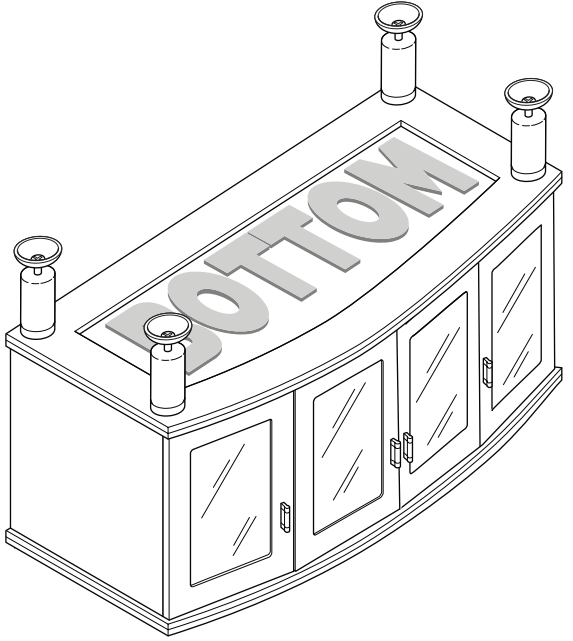
1.



2.

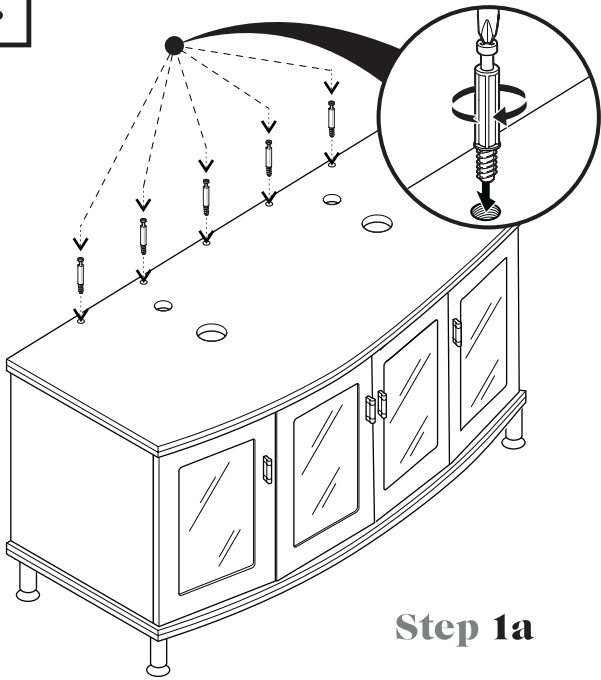


3.



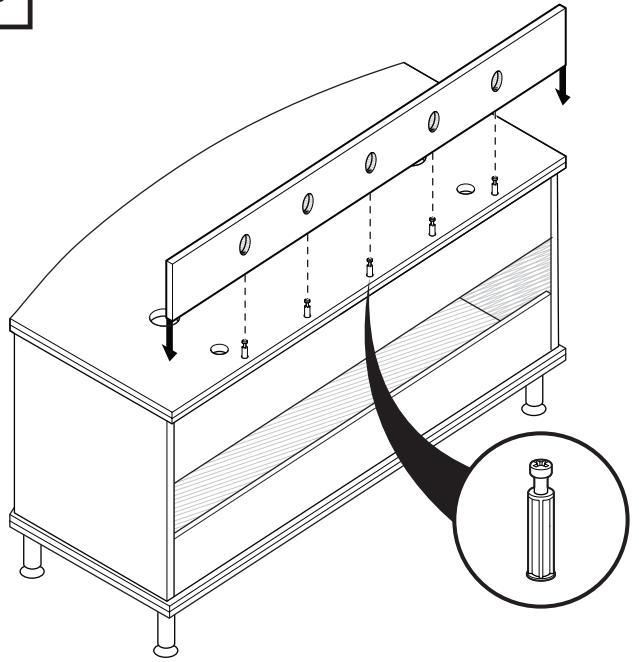
# WOOD SHIM INSTALLATION:

1.

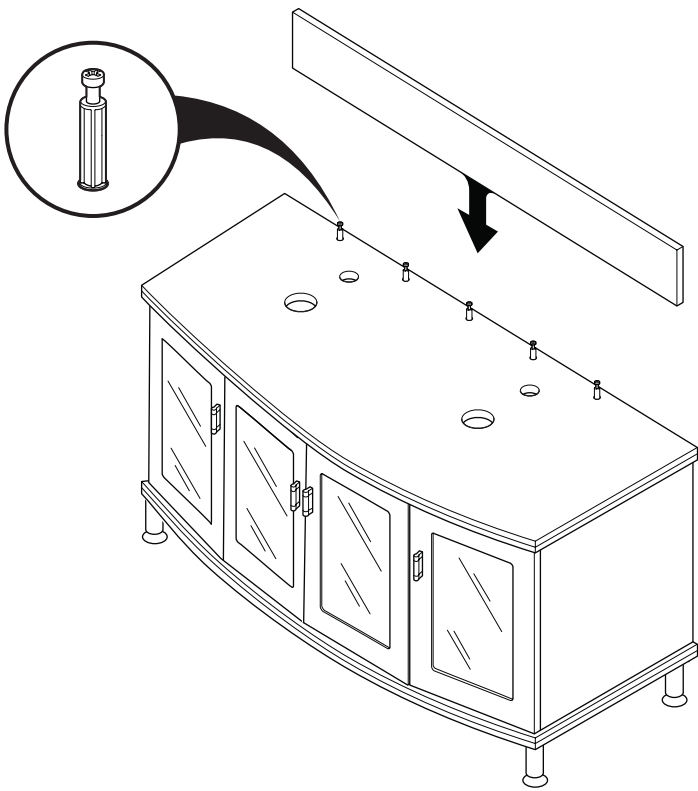


Step 1a

2.

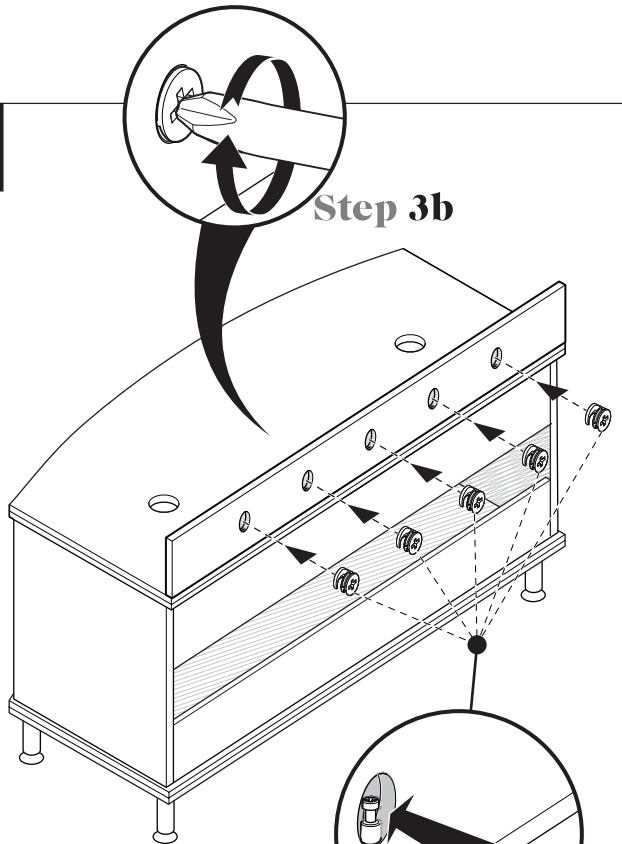


Vanity Back



Step 1b

3.

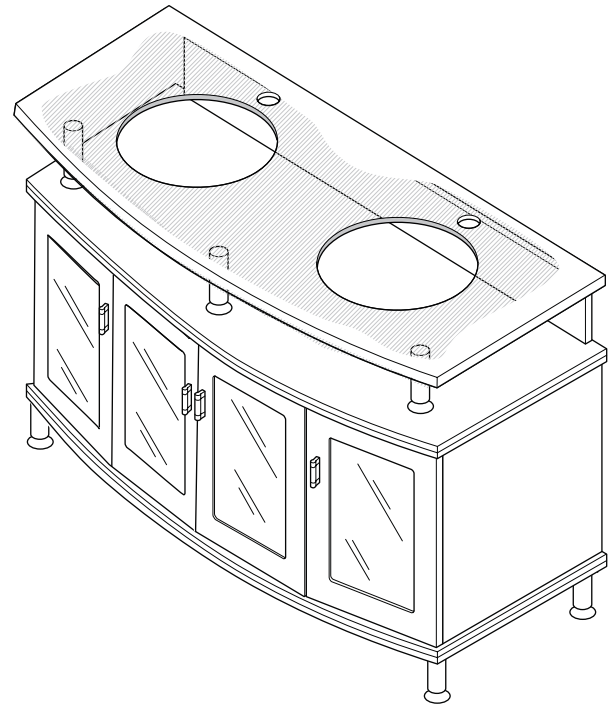
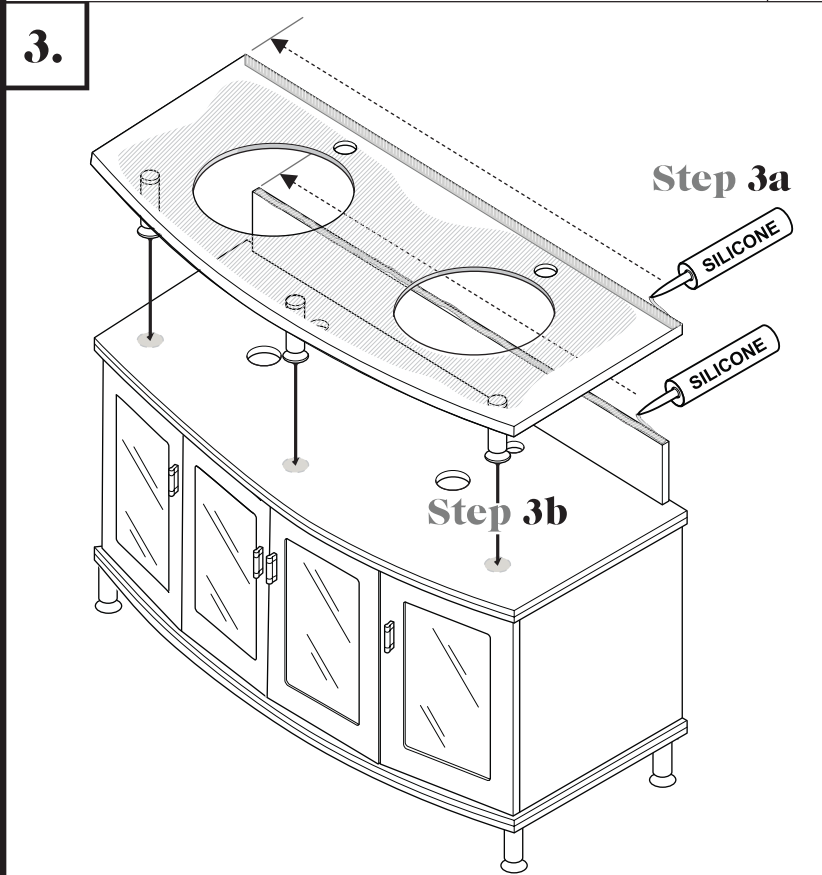
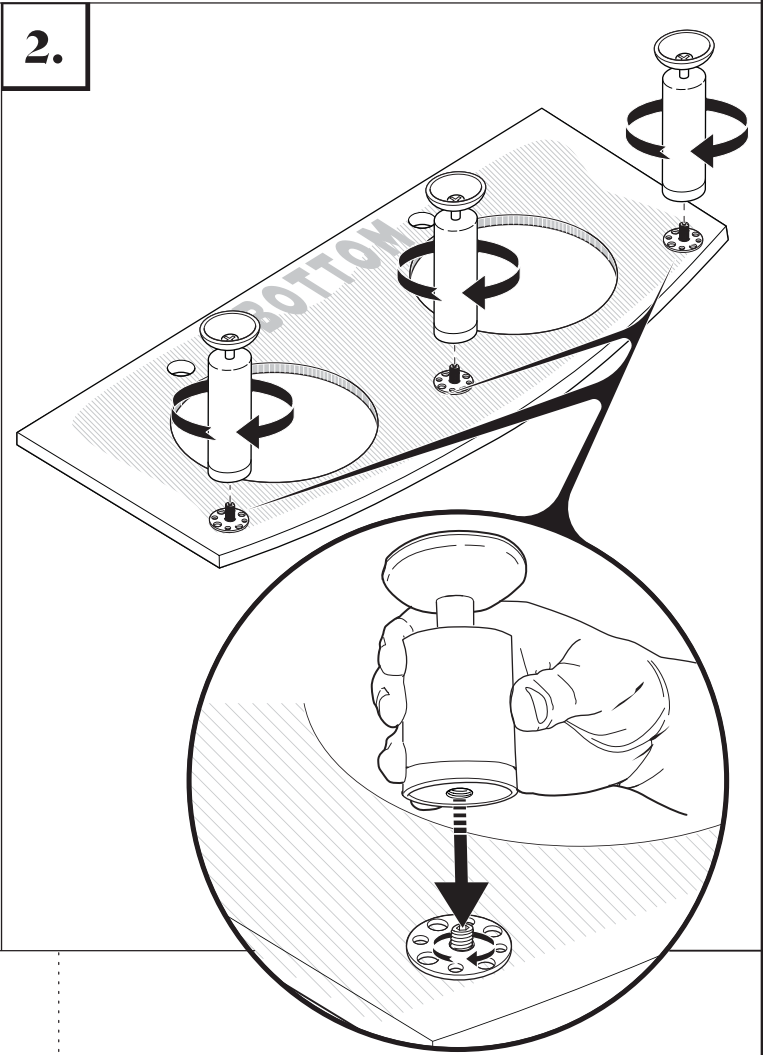
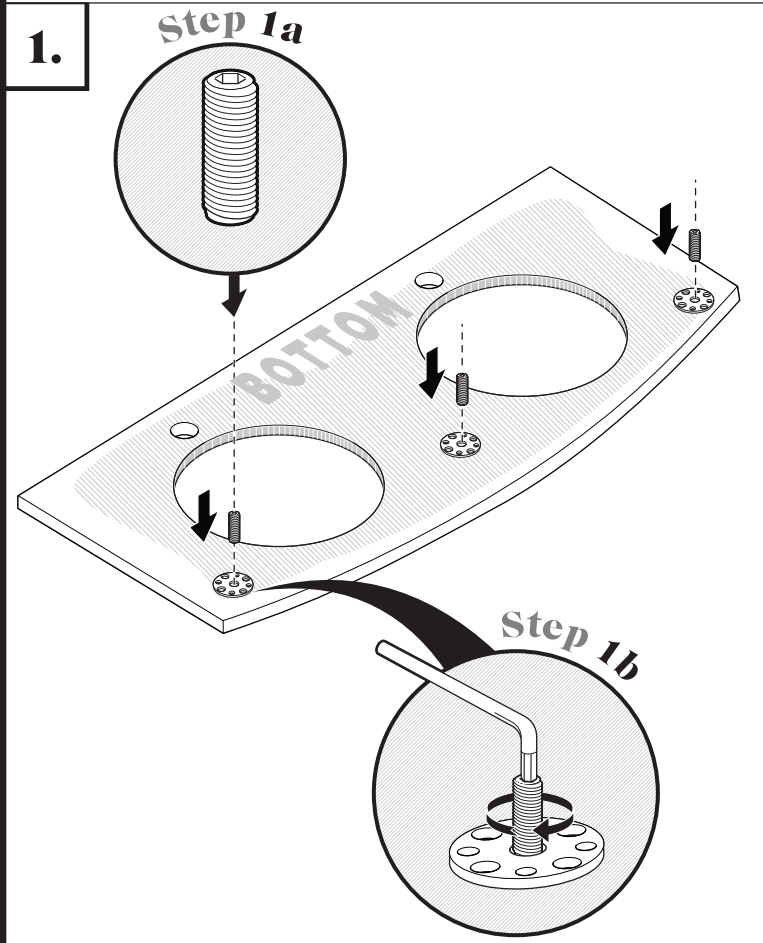


Step 3b

Vanity Back

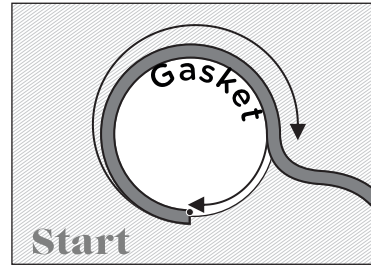
Step 3a

# COUNTERTOP INSTALLATION:

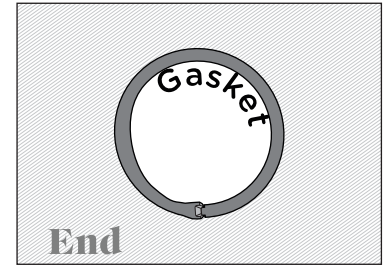


## GASKET & SINK INSTALLATION:

Countertop (Top View)

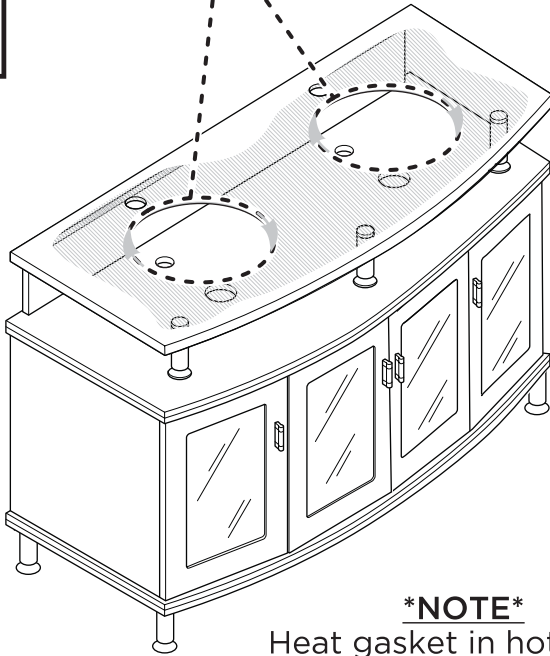


Countertop (Top View)



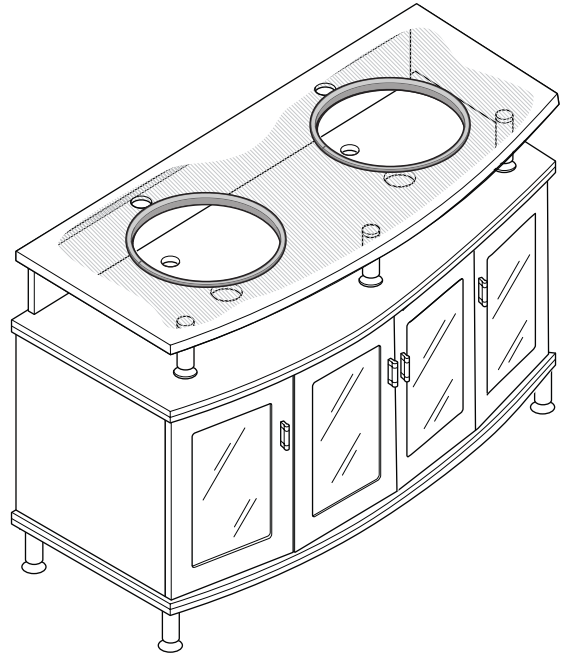
Step

1.

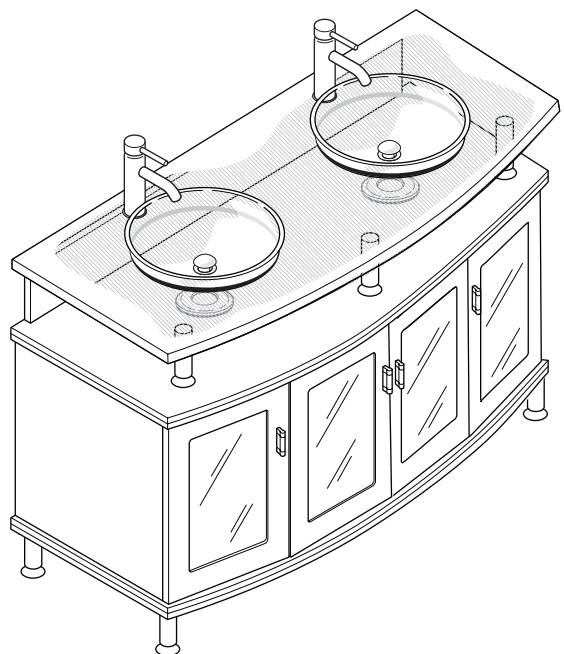
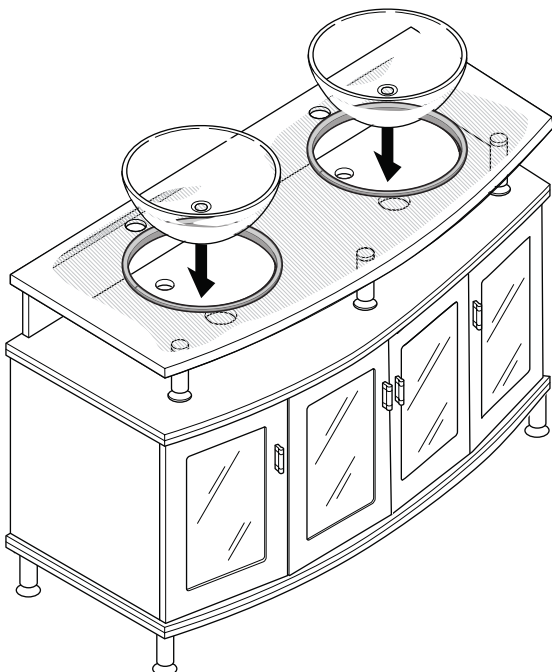


**\*NOTE\***  
Heat gasket in hot water  
for easy installation.

2.

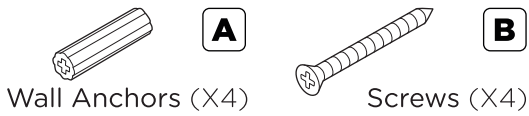


3.



# MIRROR INSTALLATION:

## PARTS

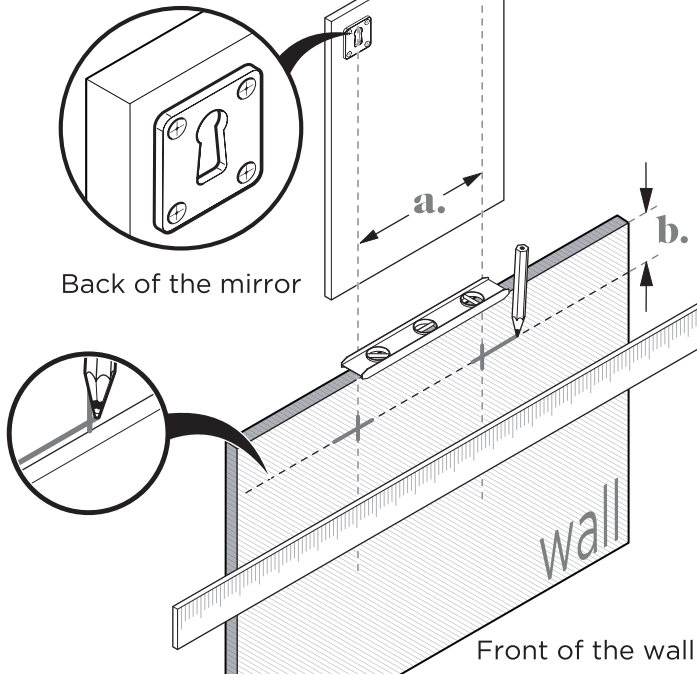


## TOOLS FOR ASSEMBLY



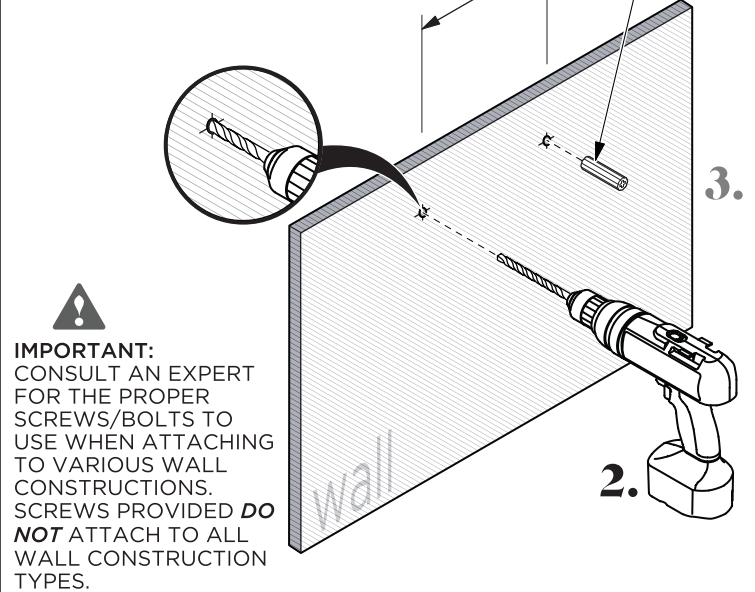
- 1.** Measure distance between both keyhole cutouts and mark the center points.

### Keyhole Cutout



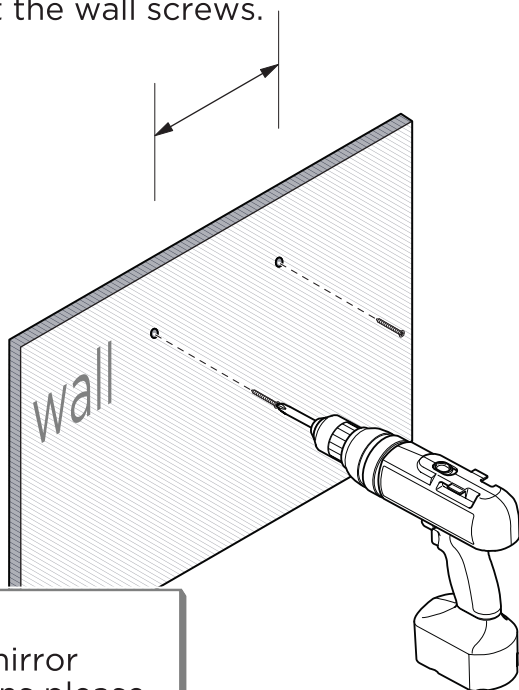
- 2.** Drill marked location of the screws on the wall.

- 3.** Insert the wall anchors (\*If applicable).



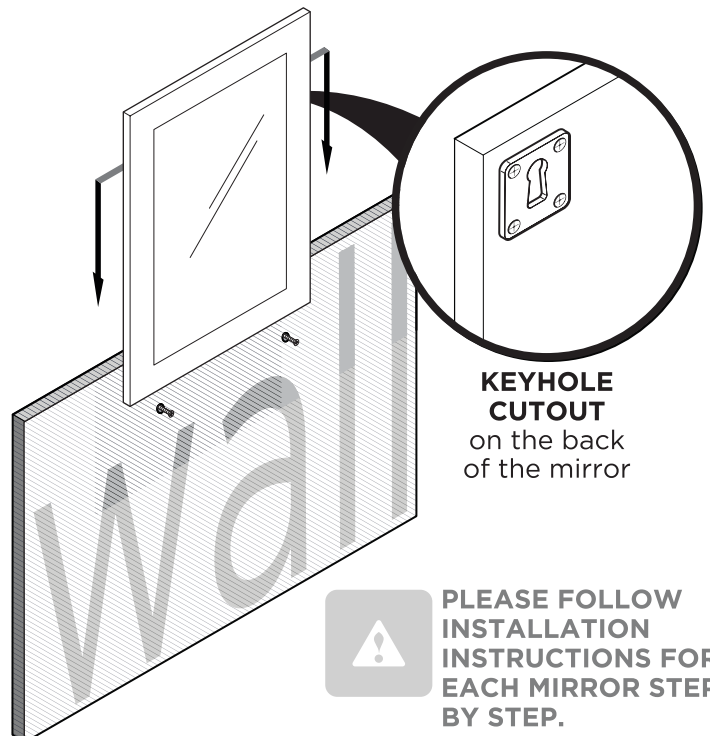
**IMPORTANT:**  
CONSULT AN EXPERT FOR THE PROPER SCREWS/BOLTS TO USE WHEN ATTACHING TO VARIOUS WALL CONSTRUCTIONS. SCREWS PROVIDED **DO NOT** ATTACH TO ALL WALL CONSTRUCTION TYPES.

- 4.** Insert the wall screws.



**Note:**  
For the mirror dimensions please see PAGE 2.

- 5.** Hang up the mirror by placing each keyhole cutout securely over the screws.

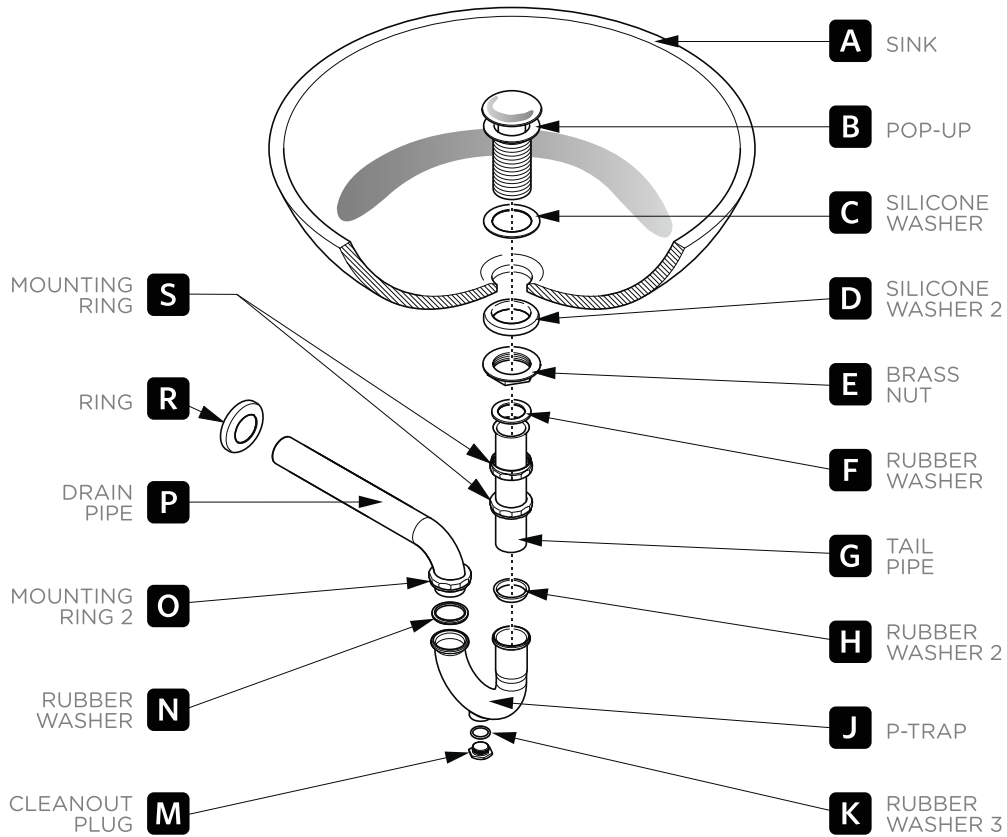


**PLEASE FOLLOW INSTALLATION INSTRUCTIONS FOR EACH MIRROR STEP BY STEP.**

# P-TRAP & POP-UP

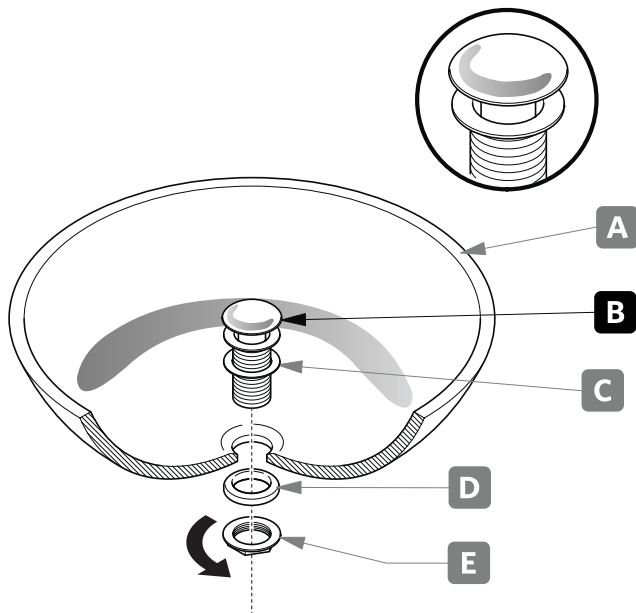
## INSTALLATION INSTRUCTIONS

YOUR ITEM MAY APPEAR SLIGHTLY DIFFERENT FROM THE ILLUSTRATION.



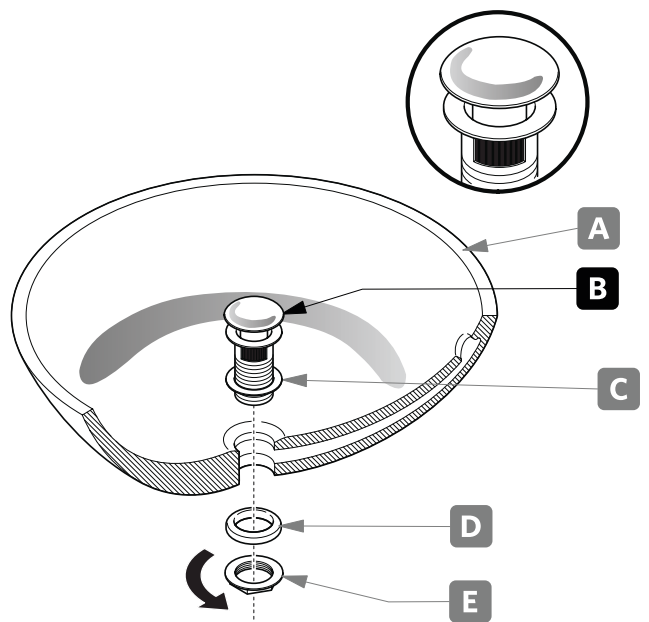
## POP-UP INSTALLATION

FOR SINKS  
WITHOUT OVERFLOW



OR

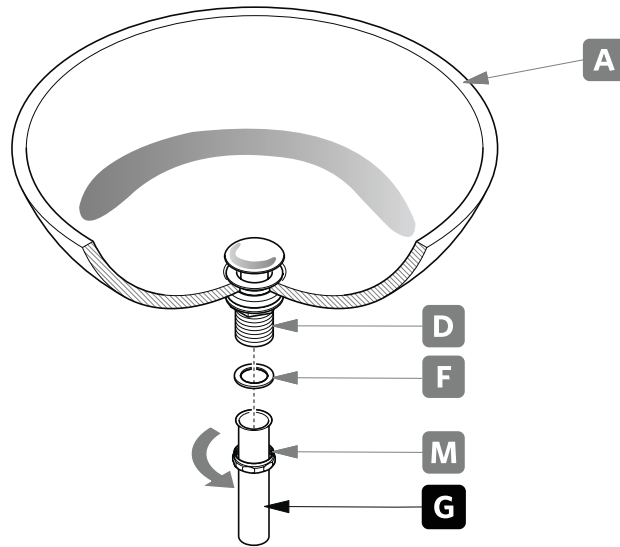
FOR SINKS  
WITH OVERFLOW





# P-TRAP INSTALLATION

1. Install tail pipe (G).



2. Install P-trap (J).

