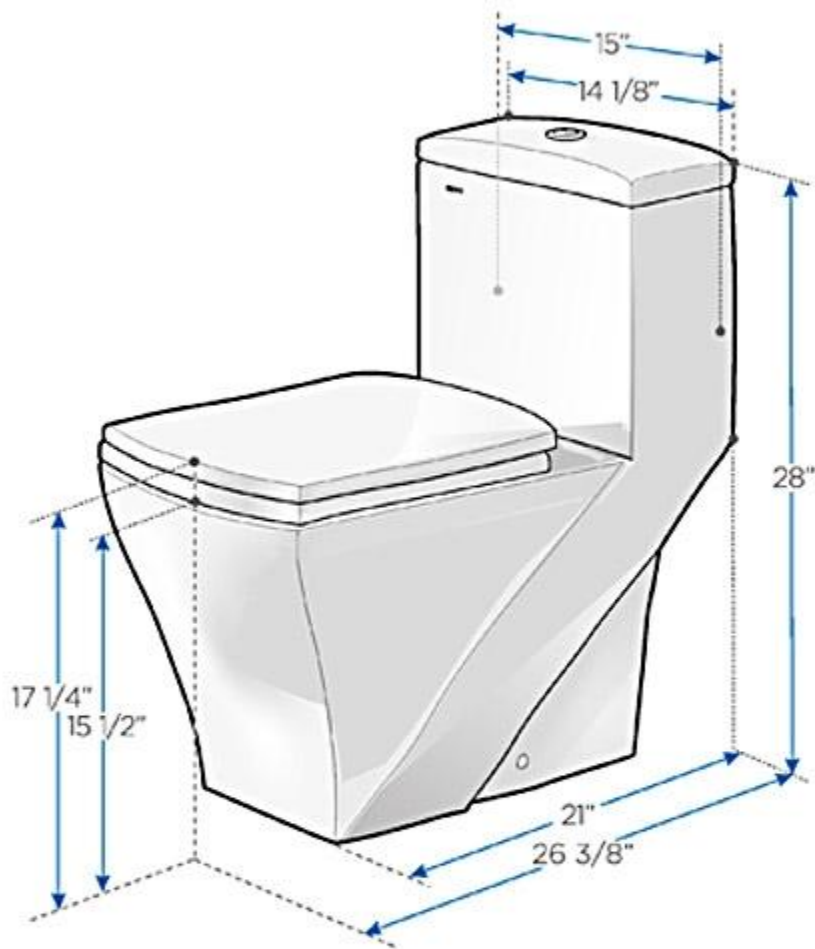


SALERNO

FTL1018

One-Piece Dual Flush Square Toilet



SPECIFICATIONS:

- Eco-Friendly Push Button Flush Mechanism
- 1.6/0.8GPF Water Consumption
- 12" Trap Distance
- One Piece / S-trap Construction
- High Quality Stain Resistant Polish w/ Fully Glazed Trapway
- Seat Included
- Elongated Bowl Type
- 3 Years Parts Warranty