



MANCHESTER

FVN2348

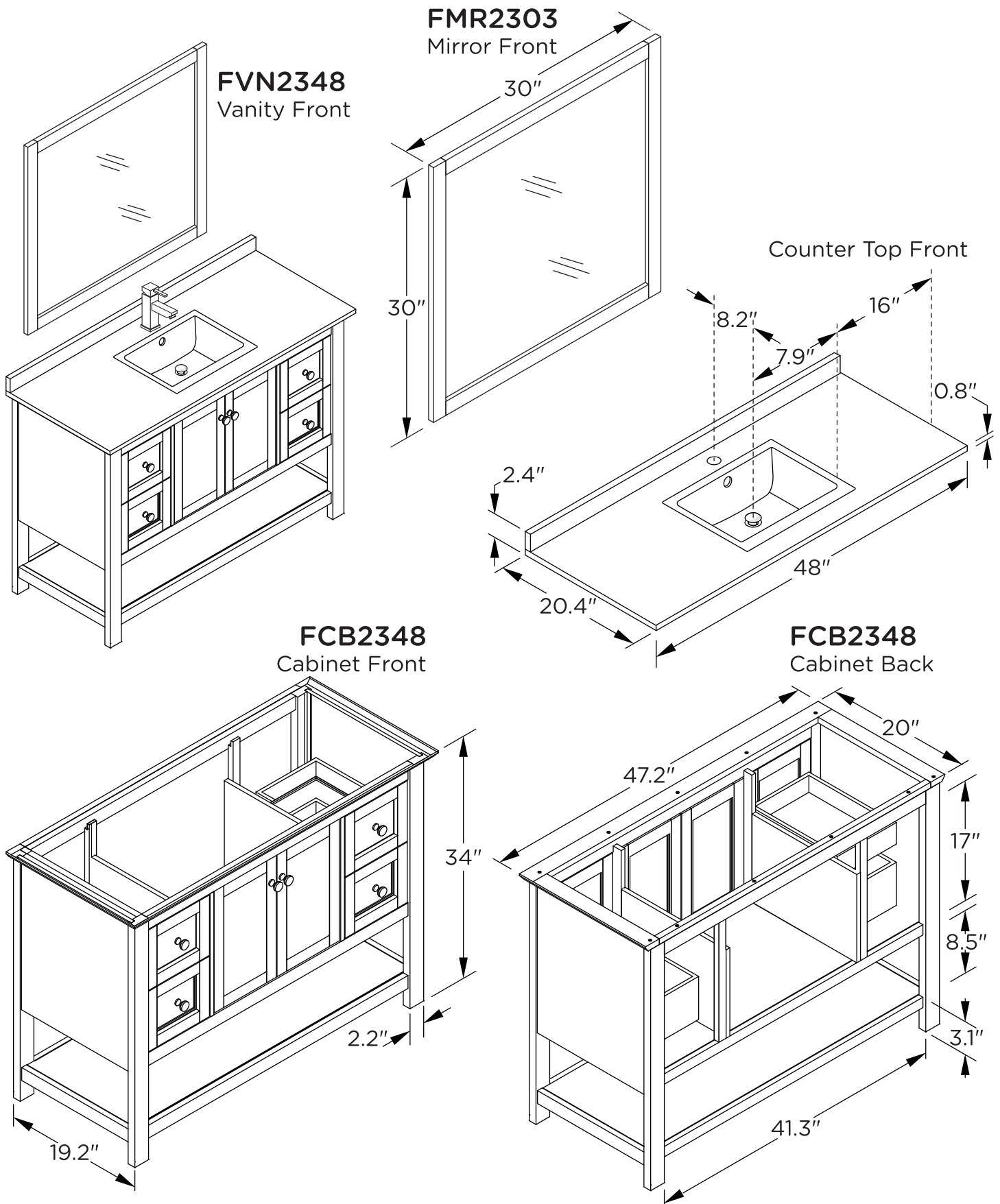
INSTALLATION GUIDE

CONTENTS:

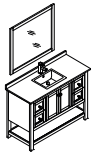
Mirror.....	PAGE 2
Cabinet.....	PAGE 3
Sink.....	PAGE 3



FVN2348 MANCHESTER INSTALLATION GUIDE



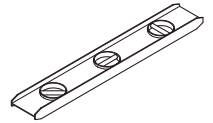
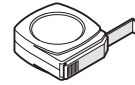
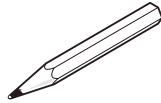
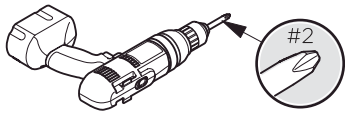
>All dimensions & specifications are approximate and subject to change without notice.



FVN2348 MANCHESTER INSTALLATION GUIDE



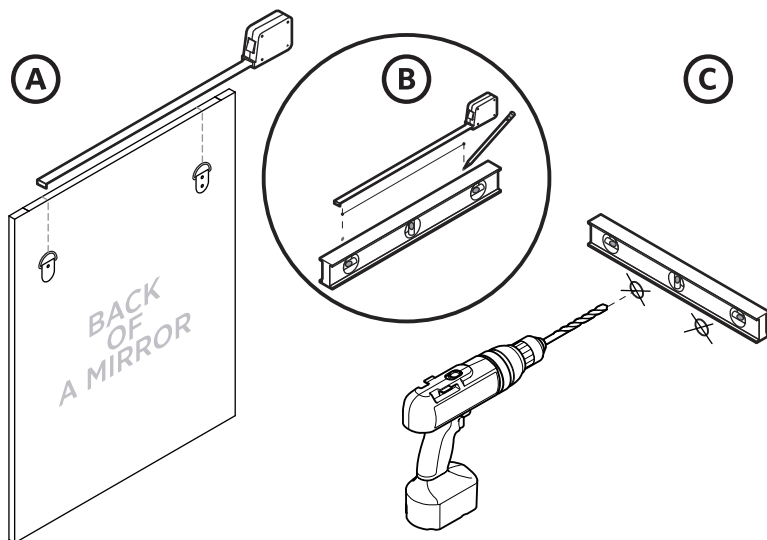
TOOLS REQUIRED FOR ASSEMBLY



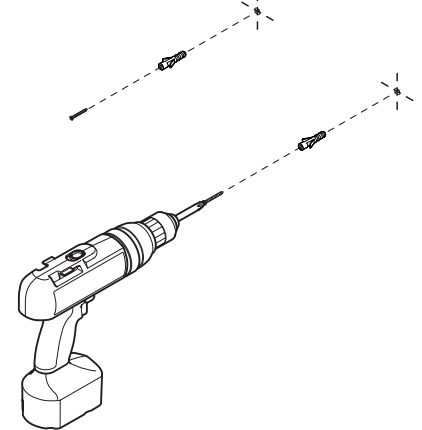
3/8" & 1/4"
Drill Bit

MIRROR INSTALLATION

- 1** Measure distance between the brackets on the back of a mirror and mark it on the wall using a level. Once marked, drill the holes in the wall.

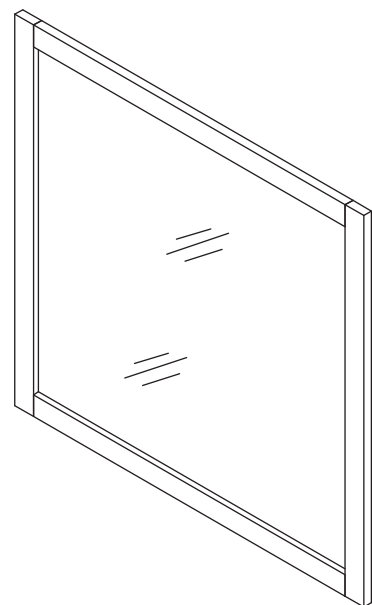
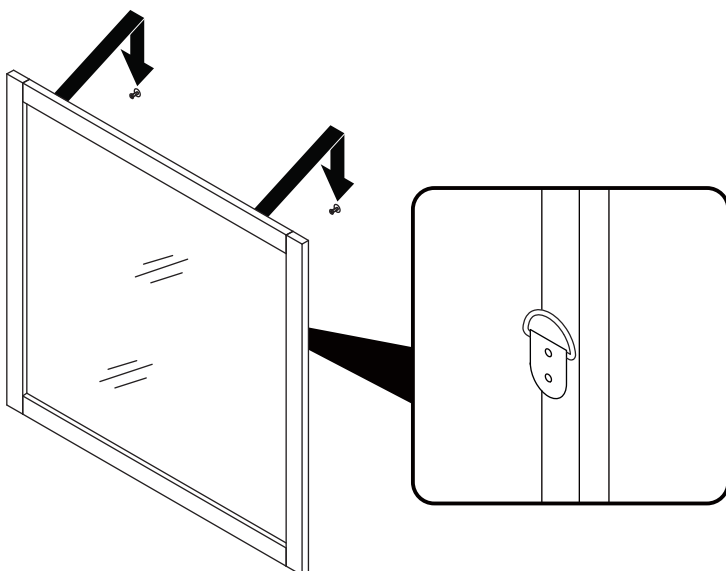


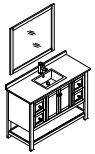
- 2** Press the anchors in the holes then insert screws with a drill or a screwdriver leaving just a tip outside of a wall.



IMPORTANT: Consult an expert for the proper screws/bolts to use when attaching to various constructions. Screws provided do not attach to all wall construction types. Anchors are not required if brackets are installed in stud.

- 3** Hang a mirror on the wall.



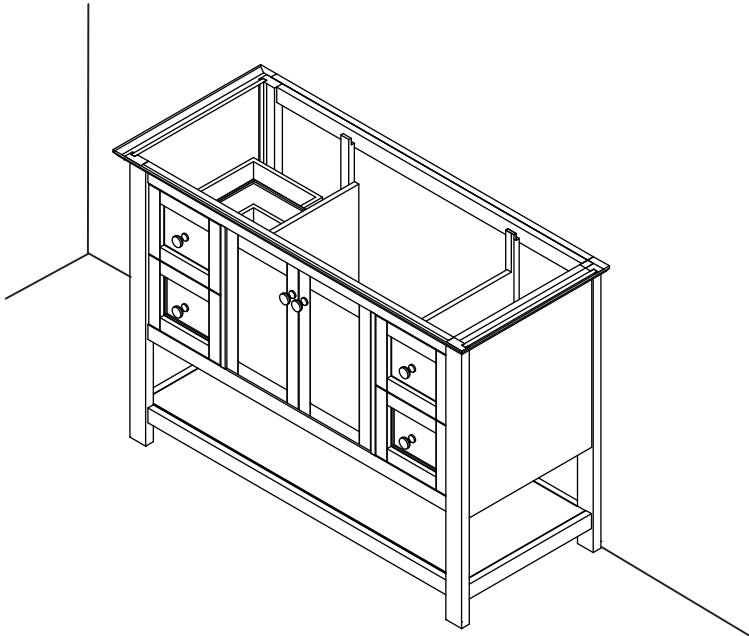


FVN2348 MANCHESTER INSTALLATION GUIDE

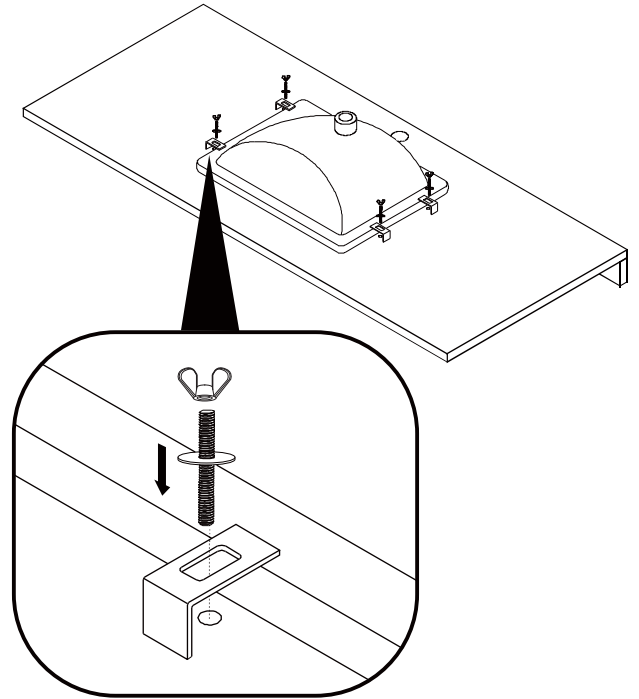


CABINET AND SINK INSTALLATION

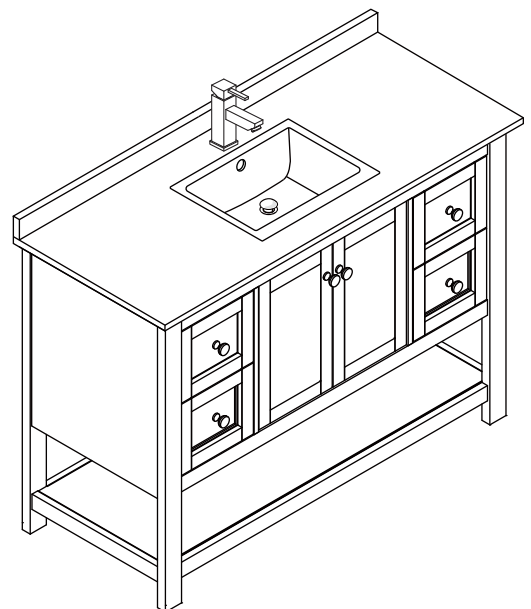
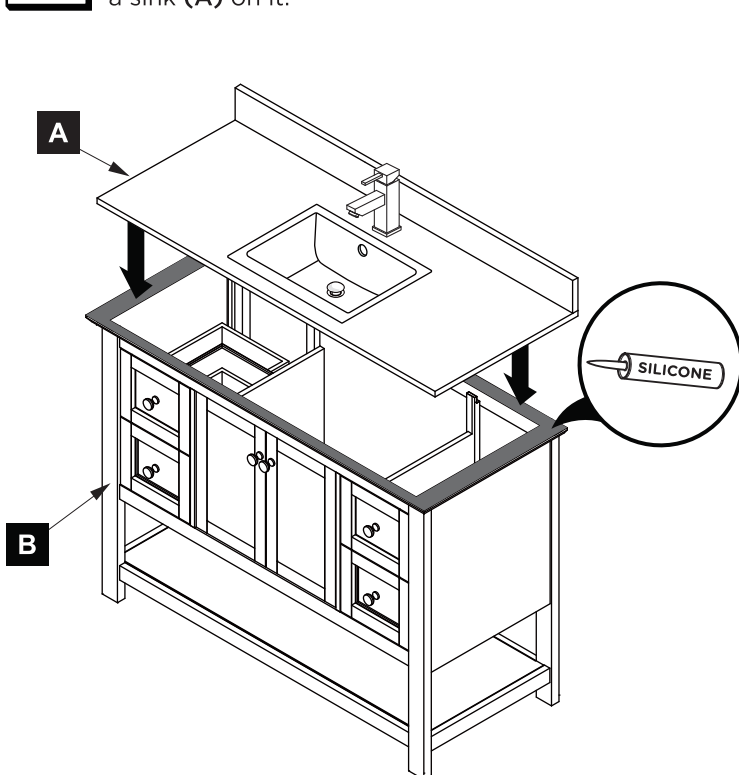
1 Attach a cabinet to the wall with a screws.

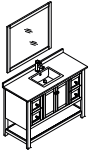


2 Attach a sink to the counter top with provided screws and brackets.



3 Connect a faucet to counter top. Apply a bead of silicone on the top of a cabinet (**B**) and place a sink (**A**) on it.



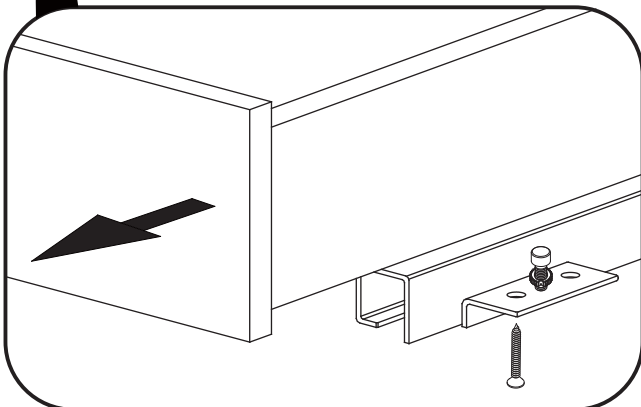
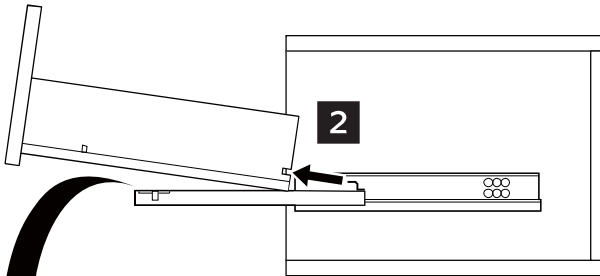
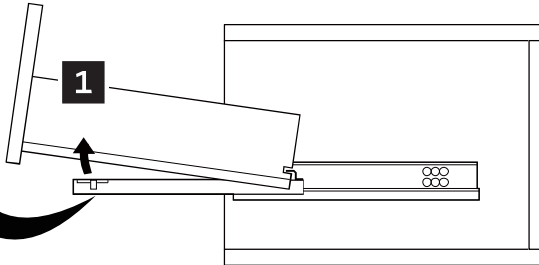
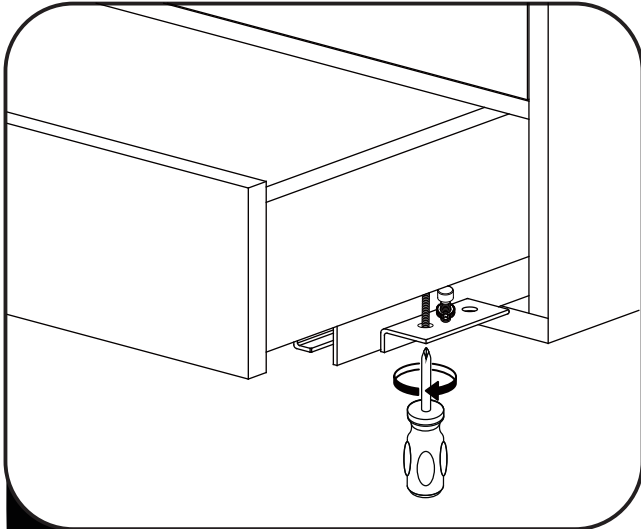


FVN2348 MANCHESTER INSTALLATION GUIDE

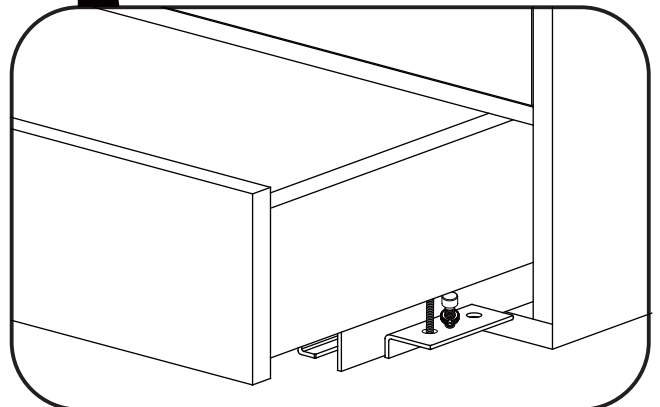
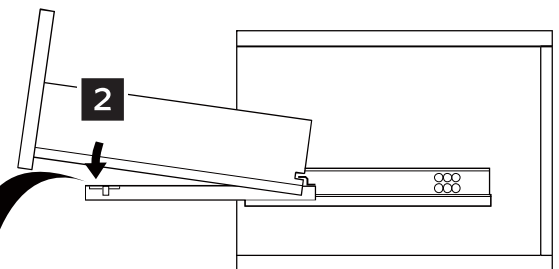
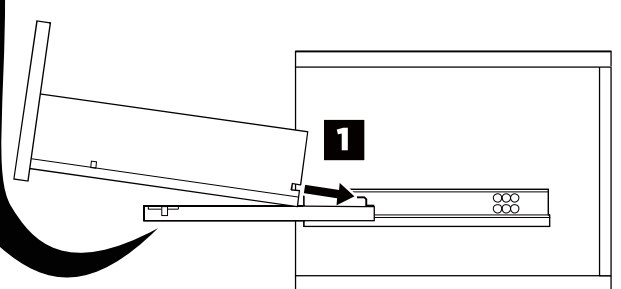
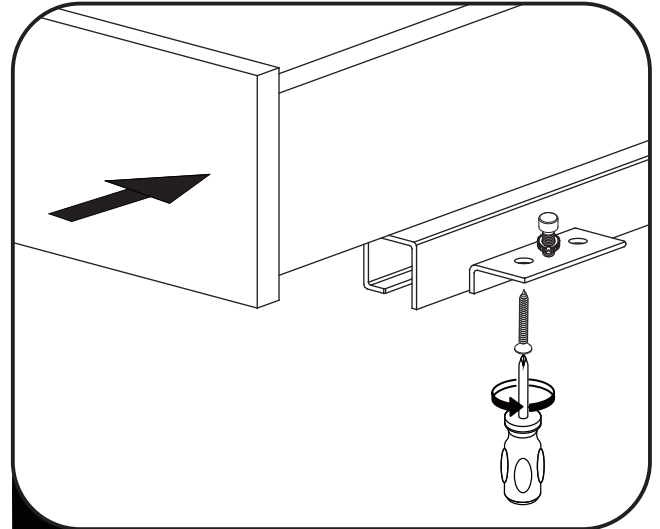


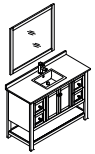
DRAWER REMOVAL & INSTALLATION

DRAWER REMOVAL



DRAWER INSTALLATION



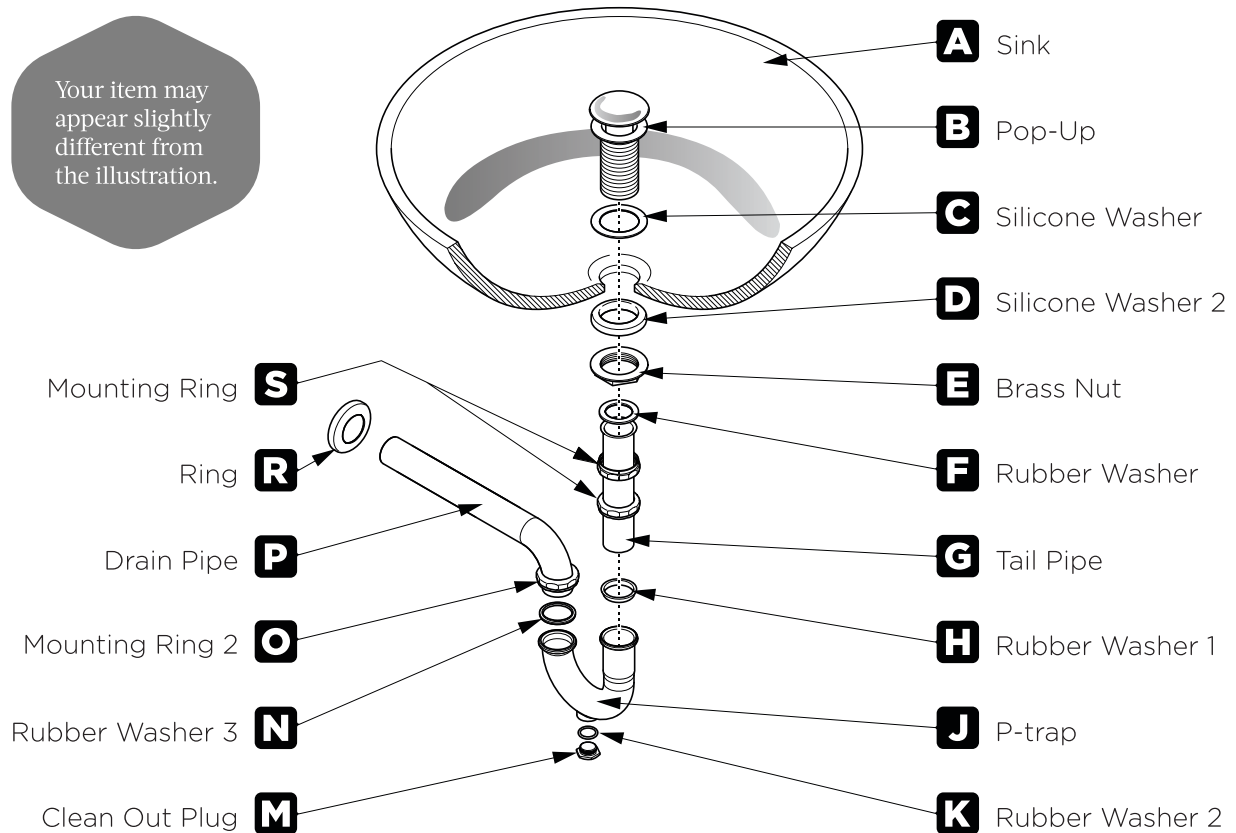


FVN2348 MANCHESTER INSTALLATION GUIDE



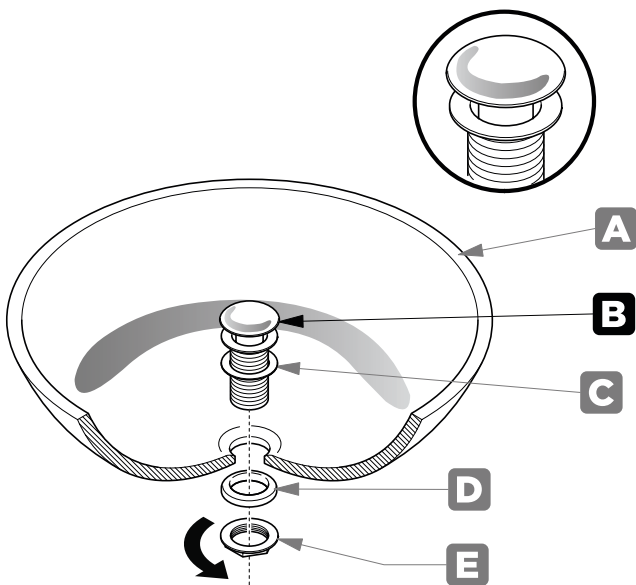
P-TRAP & POP UP INSTALLATION

Your item may appear slightly different from the illustration.



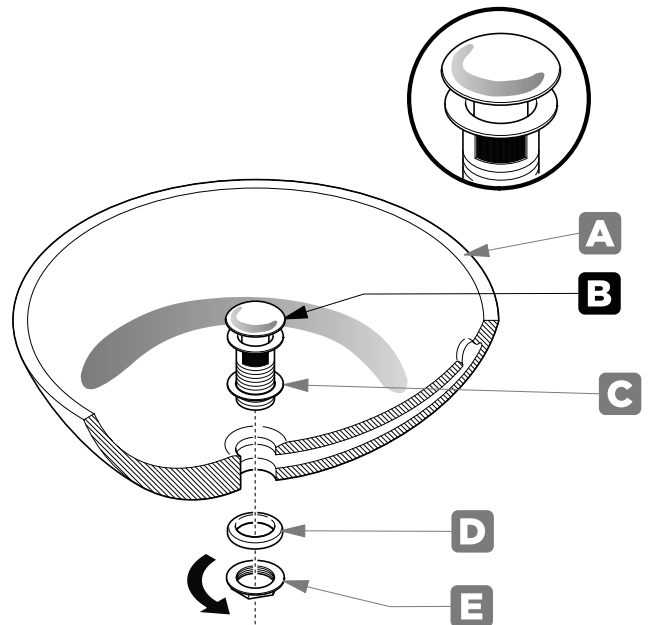
POP UP INSTALLATION

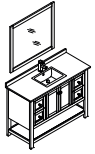
**FOR SINKS
WITHOUT OVERFLOW**



OR

**FOR SINKS
WITH OVERFLOW**



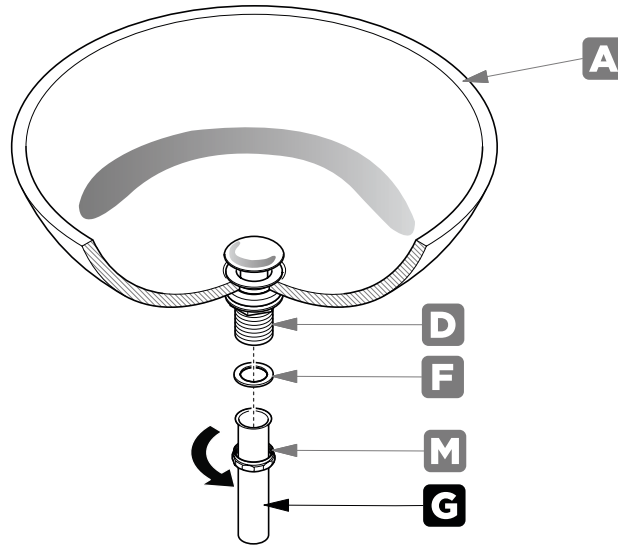


FVN2348 MANCHESTER INSTALLATION GUIDE



P-TRAP INSTALLATION

- 1** Install a tail pipe (G).



- 2** Connect a P-trap (J).

