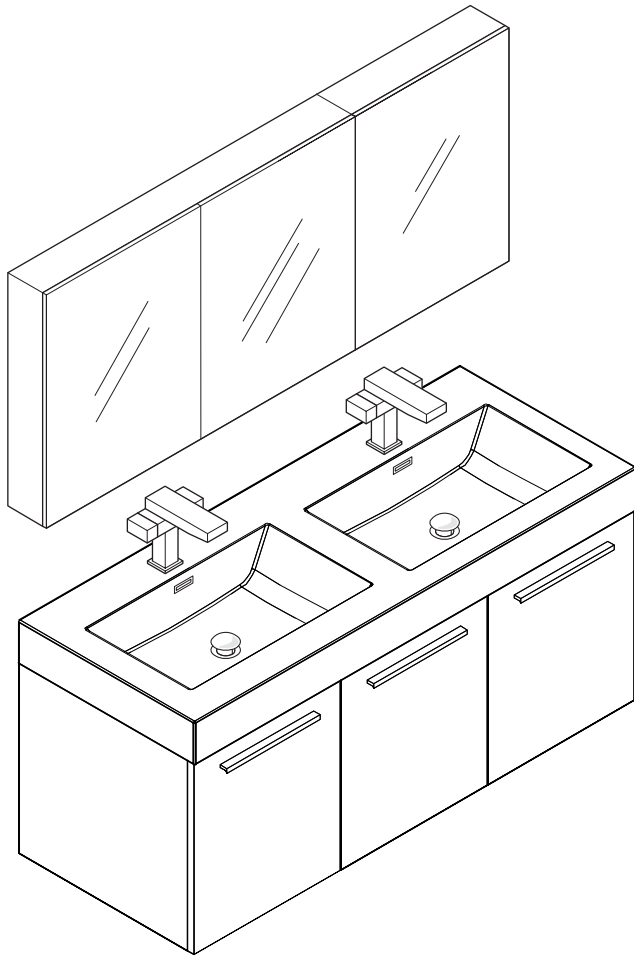
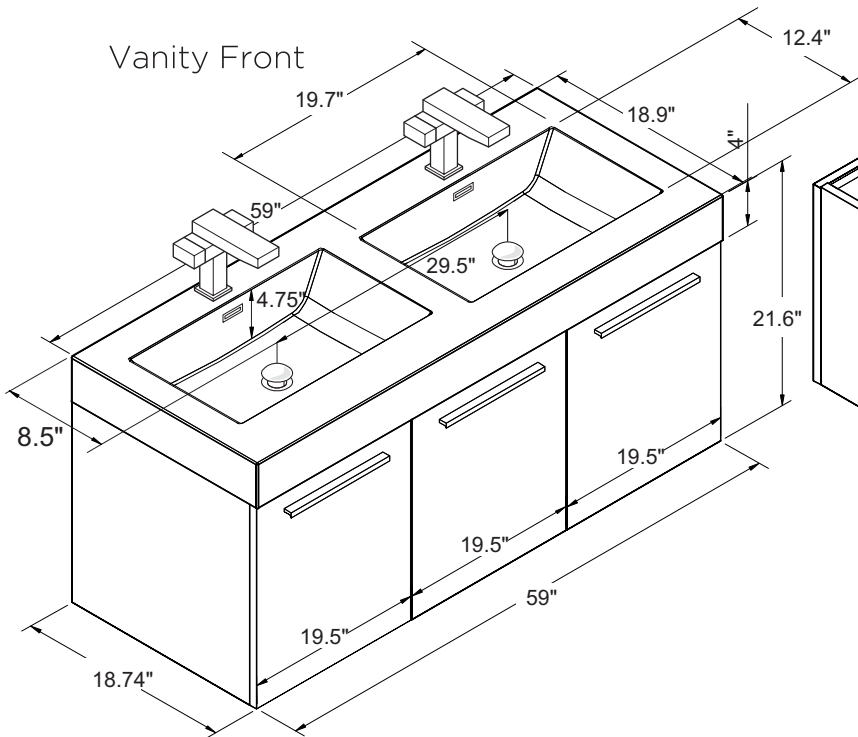
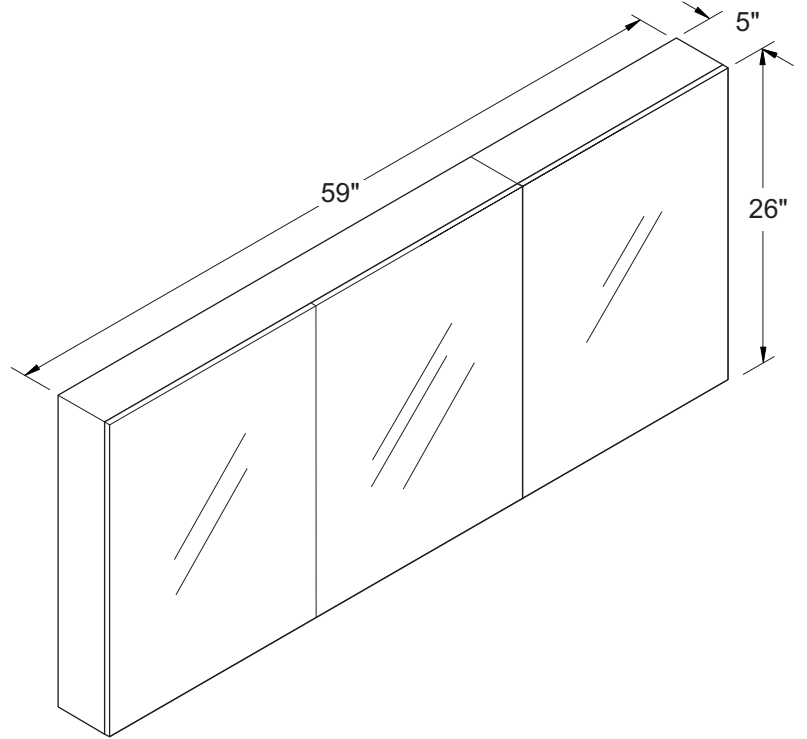


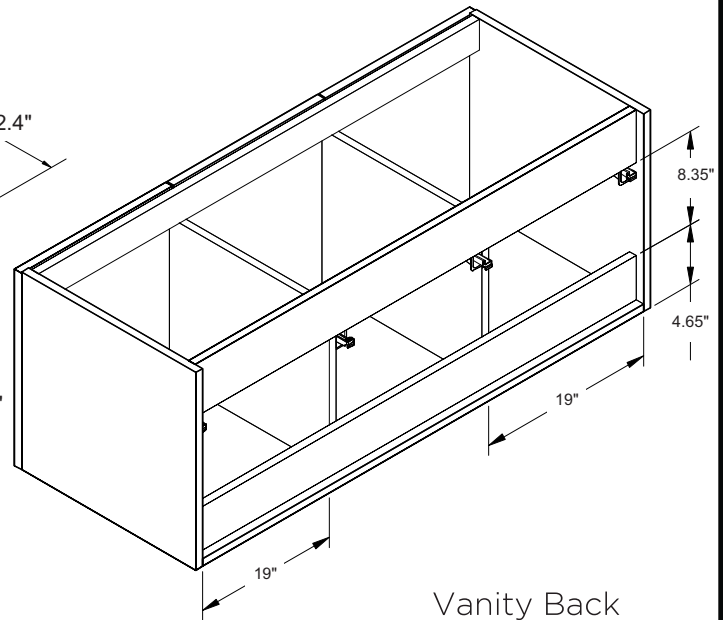
**FVN8093-D**  
**VISTA**  
**INSTALLATION GUIDE**



Medicine Cabinet



Vanity Front



Vanity Back

 ALL DIMENSIONS & SPECIFICATIONS ARE APPROXIMATE AND SUBJECT TO CHANGE WITHOUT NOTICE.