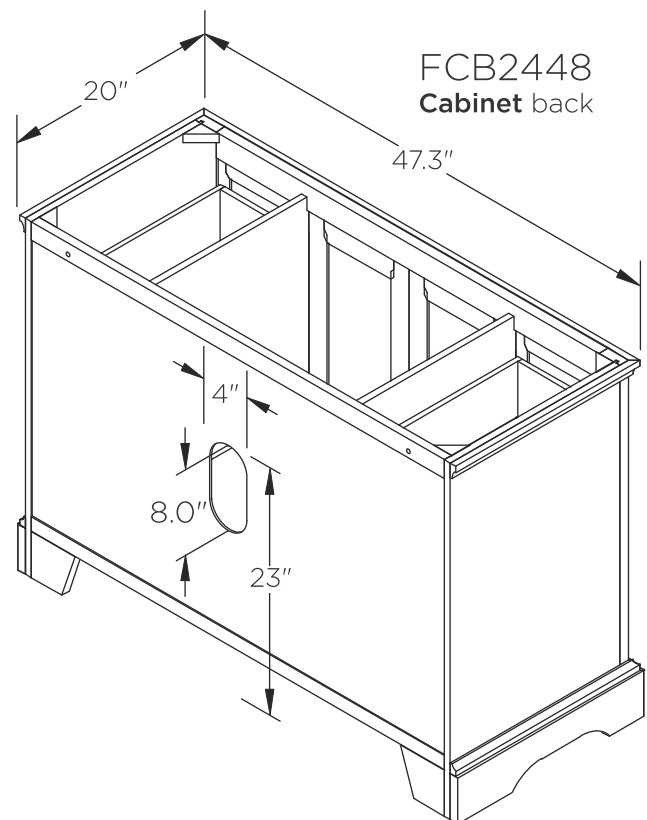
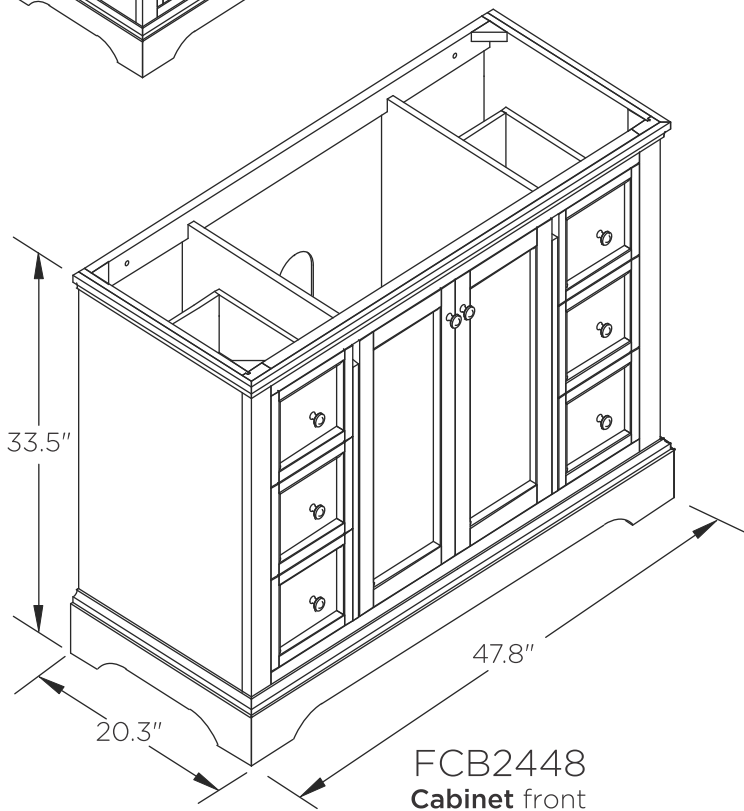
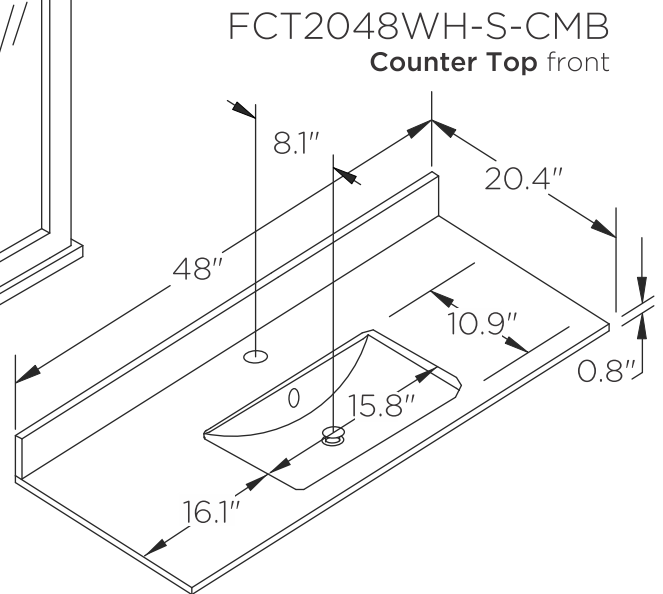
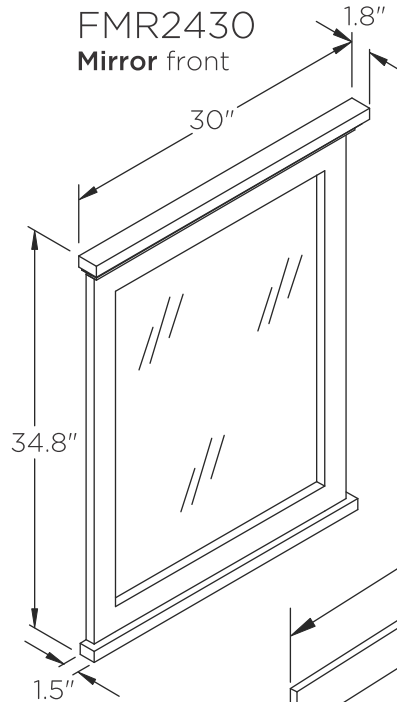
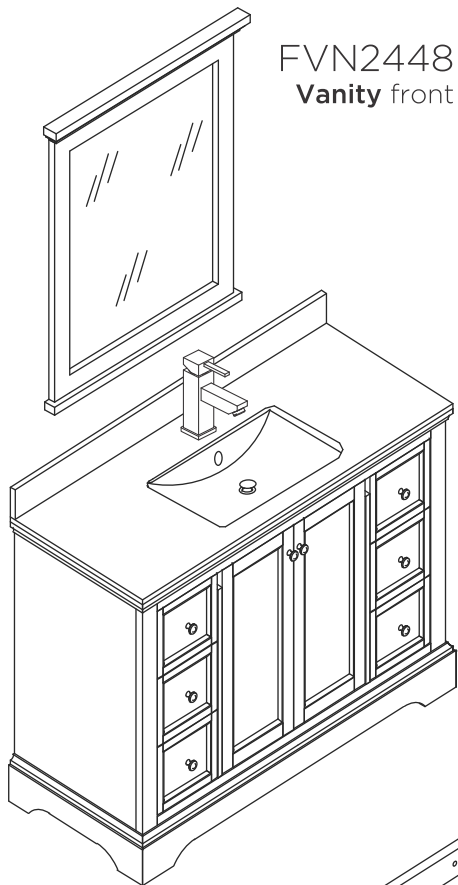


# FVN2448 WINDSOR INSTALLATION GUIDE



**NOTE:** All dimensions & specifications are approximate and subject to change without notice.



**FVN2448**

**WINDSOR**

**INSTALLATION GUIDE**