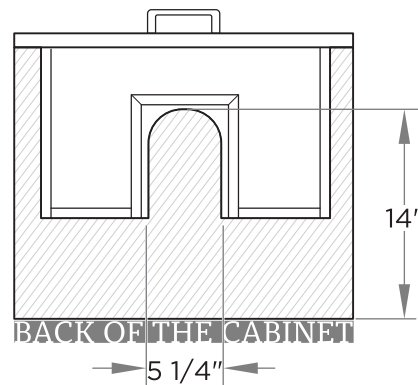
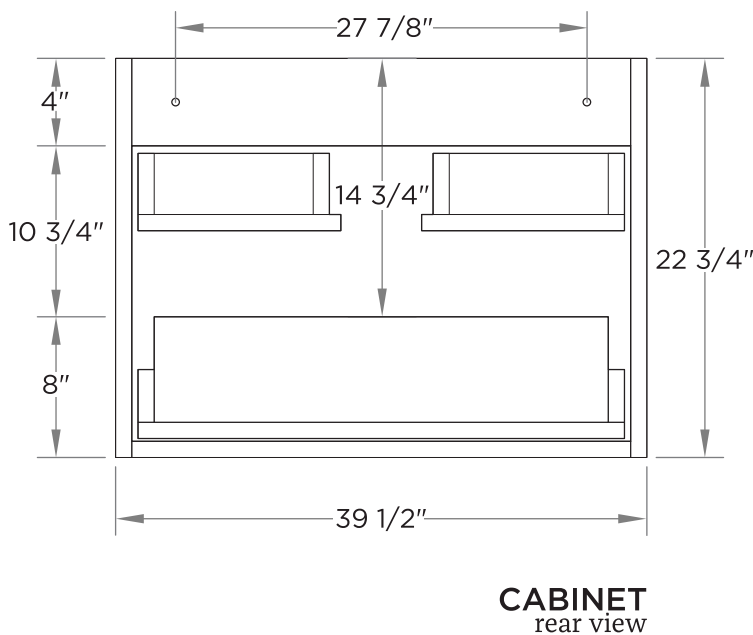
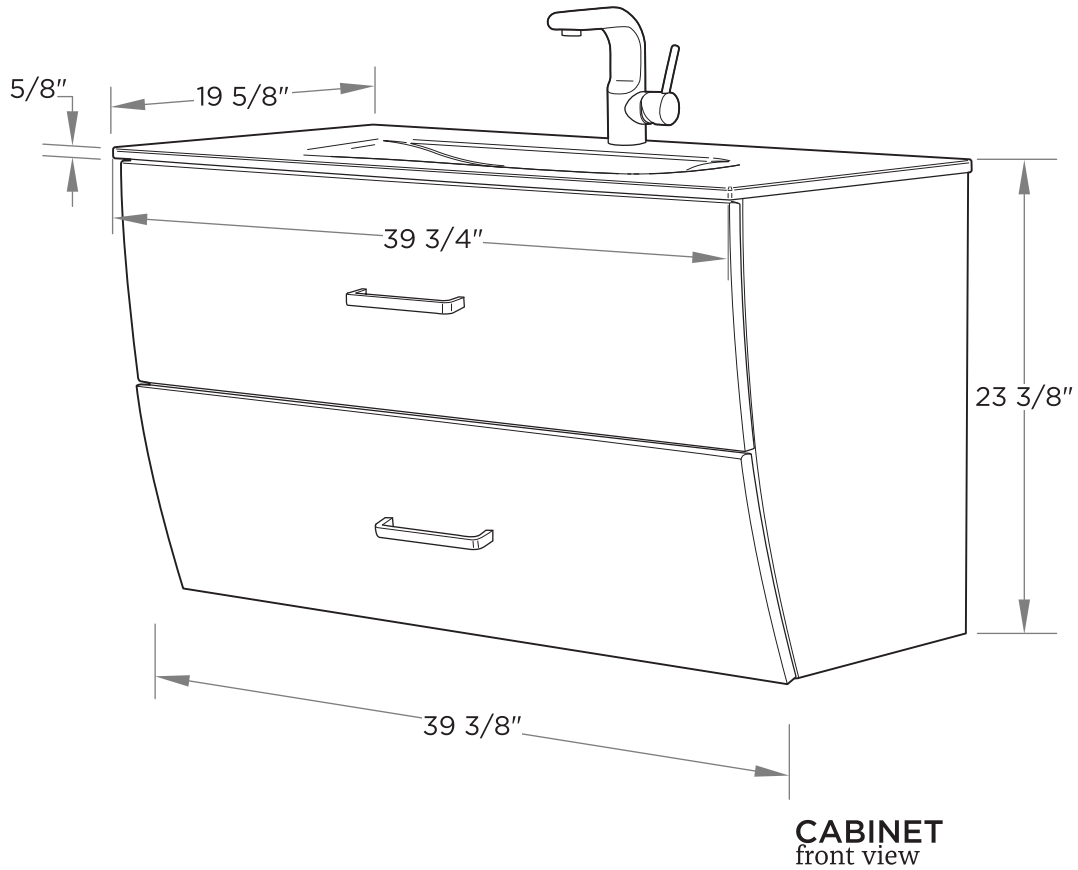




**FPVN7640**  
**WAVE**  
 INSTALLATION GUIDE



**DIMENSIONS:**

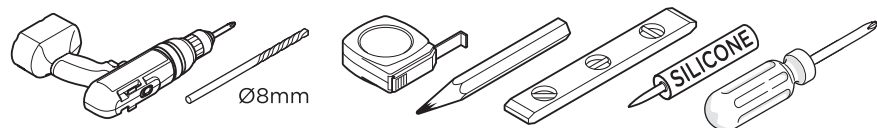


**DRAWER**  
top view

ALL DIMENSIONS & SPECIFICATIONS ARE APPROXIMATE AND SUBJECT TO CHANGE WITHOUT NOTICE.

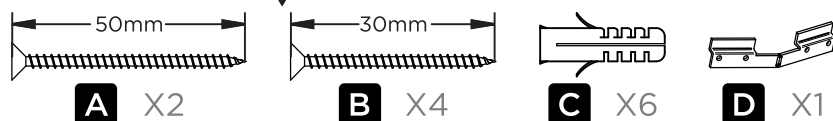
# INSTALLATION INSTRUCTIONS:

## TOOLS REQUIRED FOR ASSEMBLY



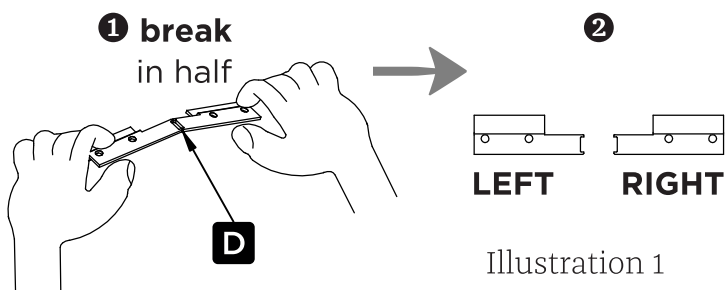
**Note:**  
Please read assembly instructions carefully before the installation.

## PARTS

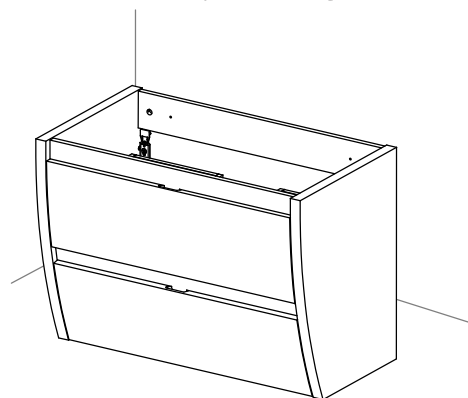


**Note:**  
The factory is not responsible for any damage caused by wrong installation.

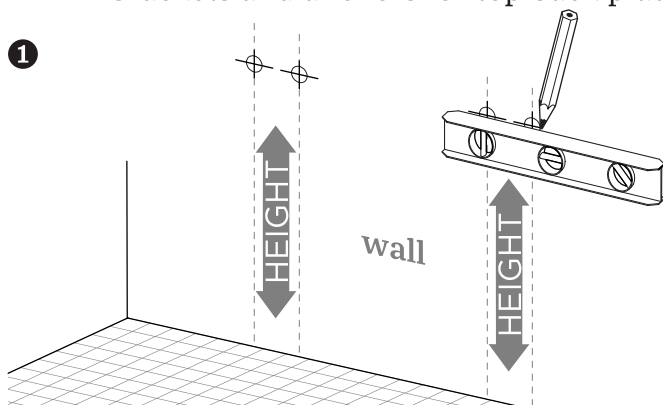
**1.** Fold the bracket (D) where the mark is and break it in half (See Illustration 1).



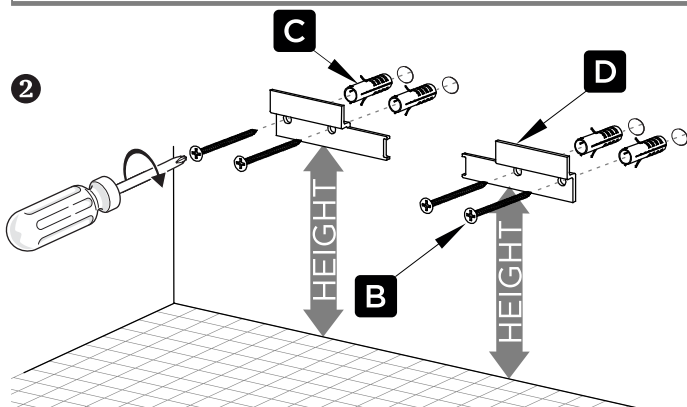
**2.** Place the vanity to designated position.



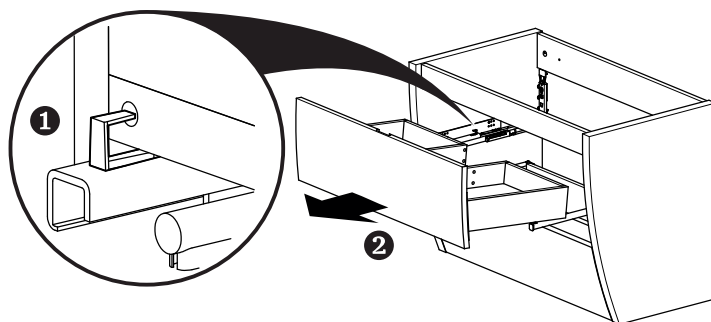
**3.** ① Measure the height at which the cabinet should be mounted. ② Install wall mount brackets and anchors for top back plate.



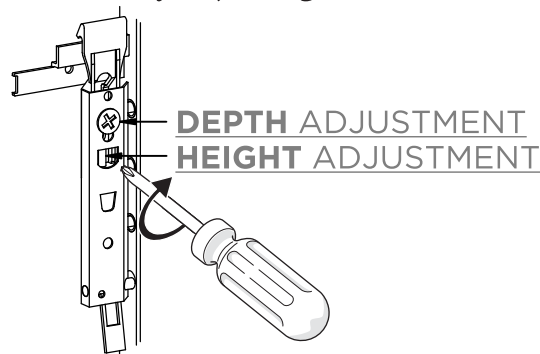
**Note:** Use anchors (C) only if stud (2"x 4" frame) is not available.



**4.** Remove drawers by pulling release hooks underneath.

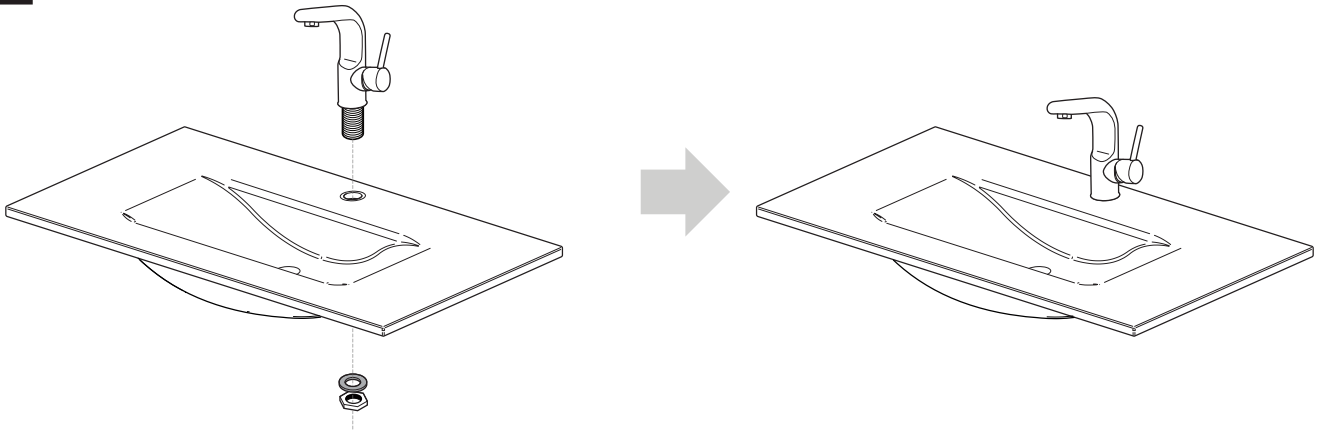


**5.** When hanging the cabinet you can adjust the height and level of the cabinet by adjusting the bracket.

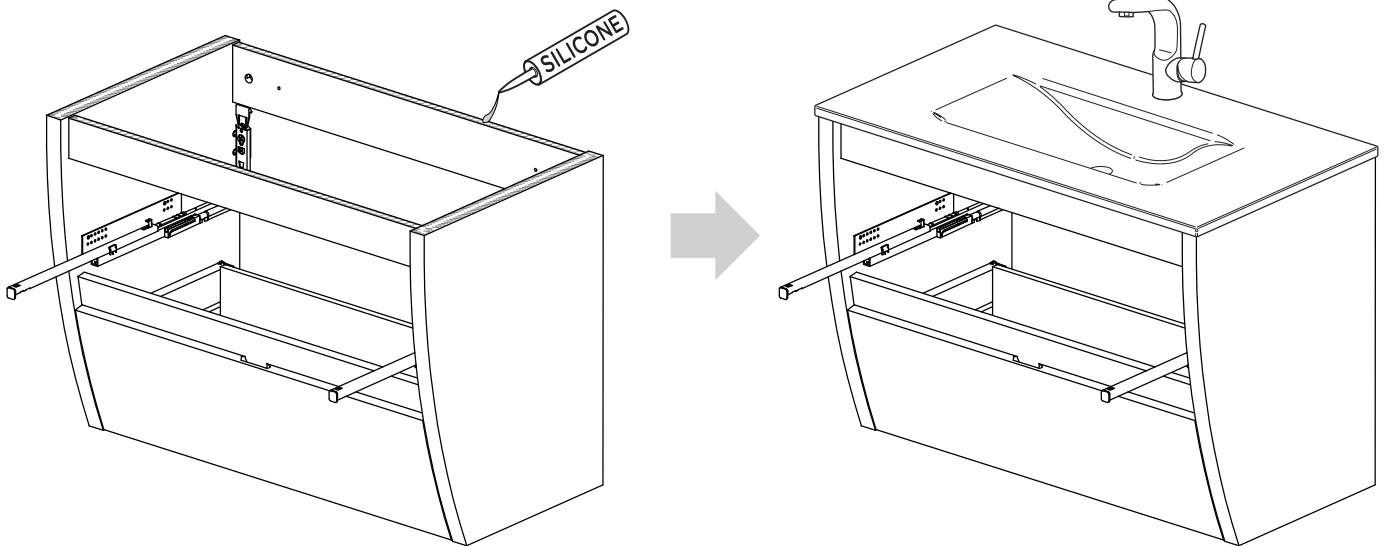


## INSTALLATION INSTRUCTIONS:

- 6.** Attach the faucet to the sink securing it with a rubber washer and brass nut.

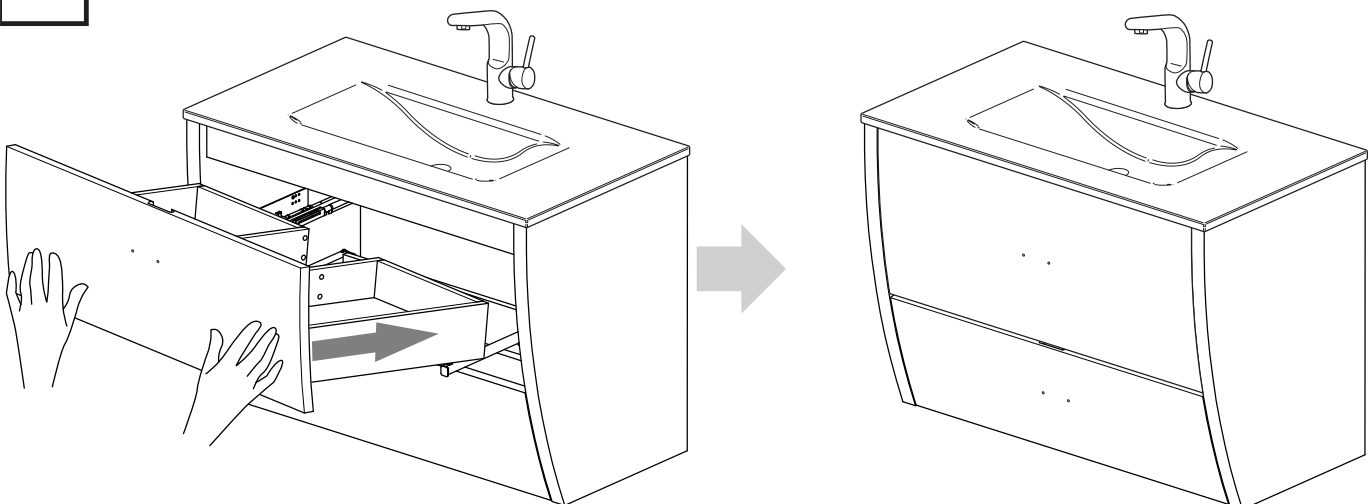


- 7.** Install the sink by placing it on top of the cabinet and securing with silicone.



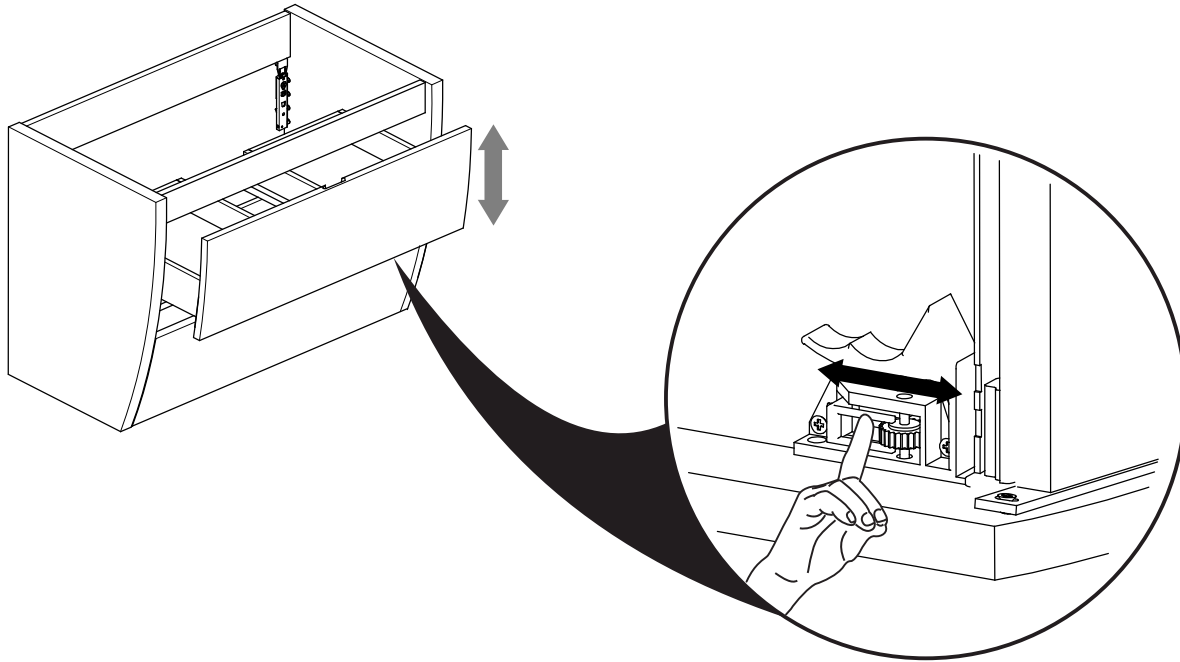
- 8.** Install all plumbing components (refer to pg. 5 & pg.6).

- 9.** Place the drawers back by simply inserting them back.

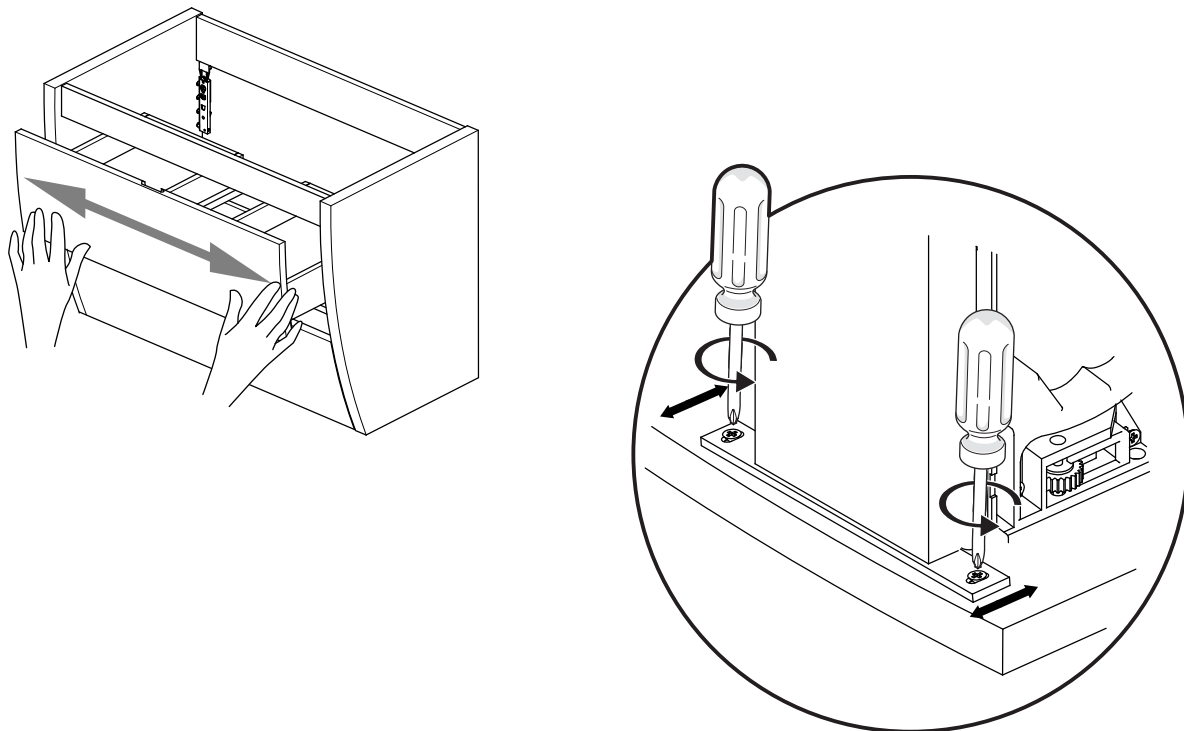


# FRONT DRAWER ADJUSTMENT:

## VERTICAL ADJUSTMENT



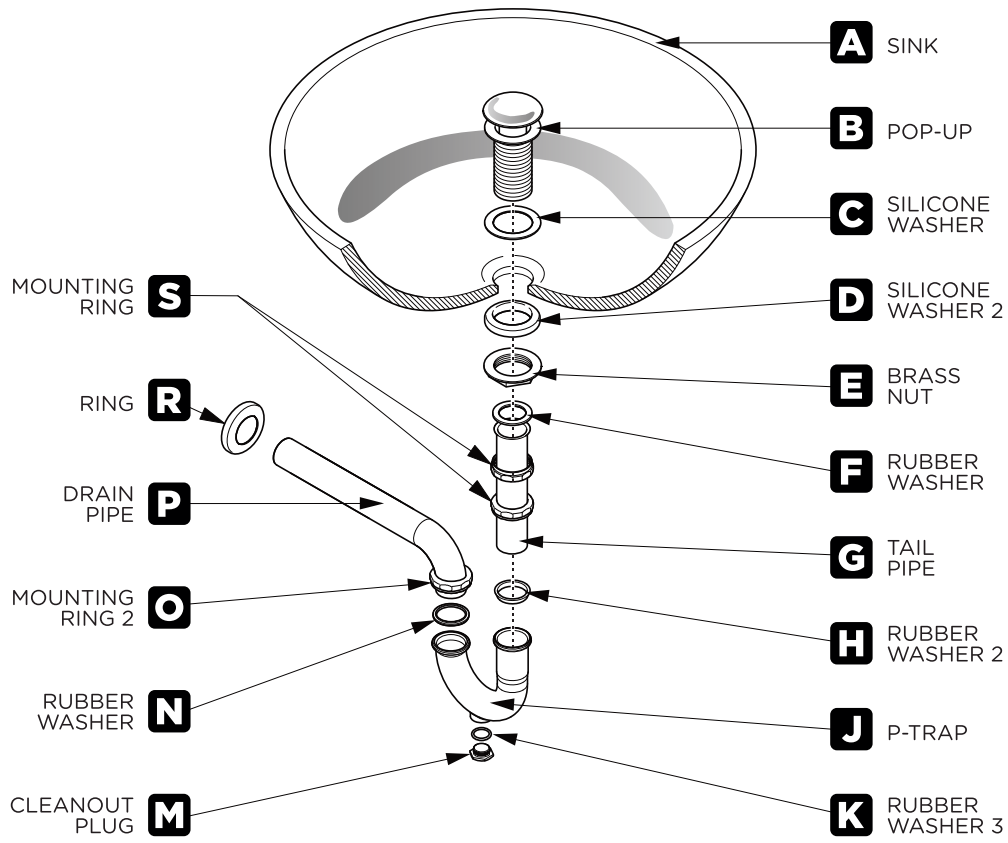
## HORIZONTAL ADJUSTMENT



# POP-UP & P-TRAP

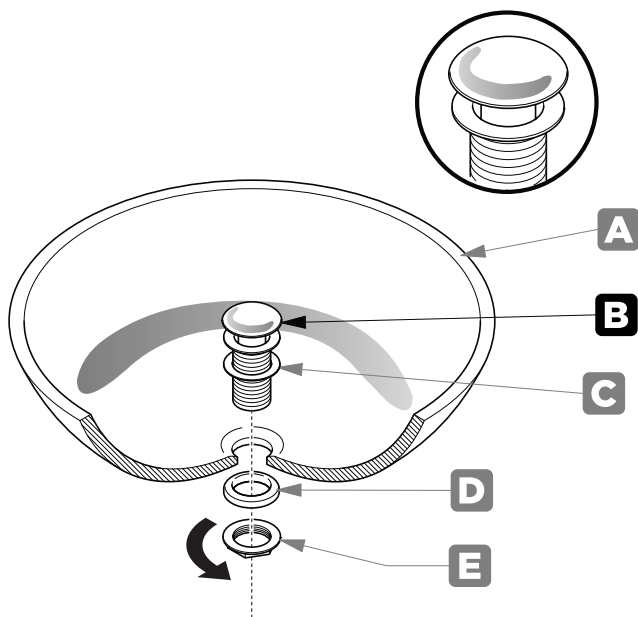
## INSTALLATION INSTRUCTIONS:

Your item may appear slightly different from the illustration.



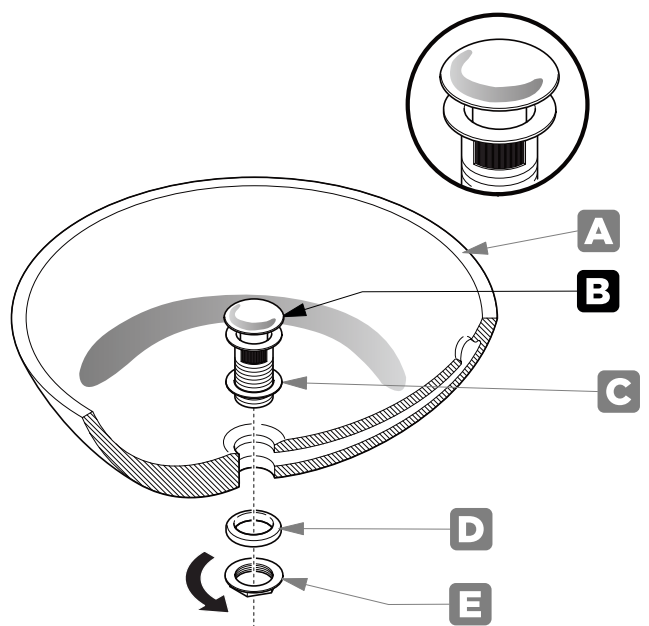
## POP-UP INSTALLATION

FOR SINKS  
WITHOUT OVERFLOW



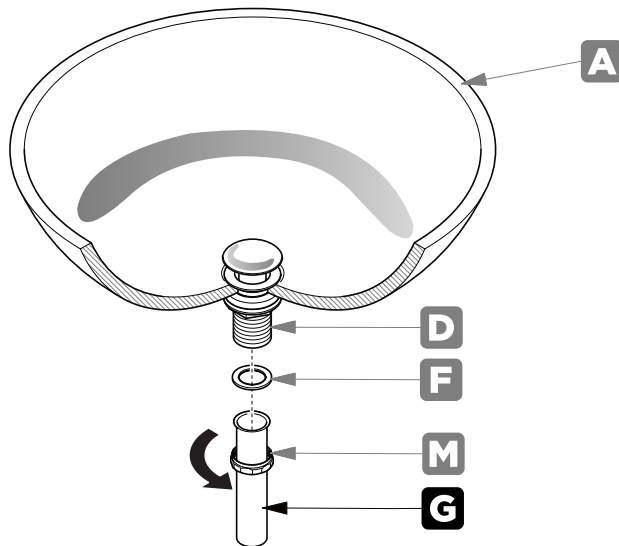
OR

FOR SINKS  
WITH OVERFLOW



# P-TRAP INSTALLATION

1. Install tail pipe (G).



2. Install P-trap (J).

