

OPUS

FR45733BCM

Bulbs: 60W G9

Replacement Parts: GLASS: R45730GL



ASSEMBLY INSTRUCTIONS

The construction of this fixture will be accomplished by first assembling the main body of the fixture, making all necessary electrical connections, hanging the fixture from the ceiling and then installing the fixture shade.

SAFETY WARNING: Read wiring and grounding instructions [FRIS 18] and any additional directions. Turn power supply off during installation. If new wiring is required, consult a qualified electrician or local authorities for code requirements.

STEP 1

Note: It will be necessary to determine the length of rods you will require to hang your fixture at the desired height. After this has been established, please follow the instructions below.

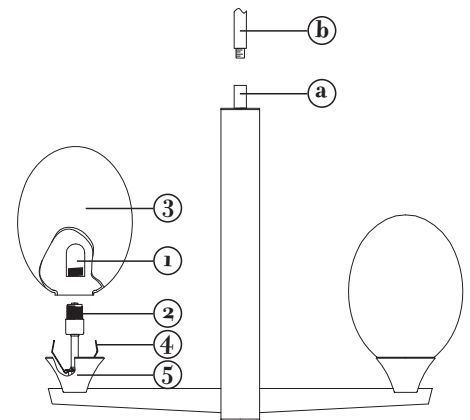
- 1 Assemble the rods (b) by slipping them into the wire. Thread the first rod into the coupler (a) located at the top of the fixture - See Drawing 1.
- 2 Continue adding rods (b) until desired length has been reached.

STEP 2 Refer to Hanging Instruction Sheet [FRIS19-70] to hang fixture. Then refer back to this sheet to continue fixture installation.

STEP 3

- 1 Fixture can now be lamped accordingly. Bulb shield (1) can be threaded onto socket (2) after lamping - See Drawing 2.
- 2 To install glass (3), pinch spring clip (4) together and slip ends of clips (4) into hole in bottom of glass (3).
- 3 Slowly release clips (4) and slip glass (3) down into position on glass holder (5).

[DRAWING 1]



FREDRICK RAMOND

ESTABLISHED 1965

800.421.3517 WWW.FREDRICKRAMOND.COM

11.15.09