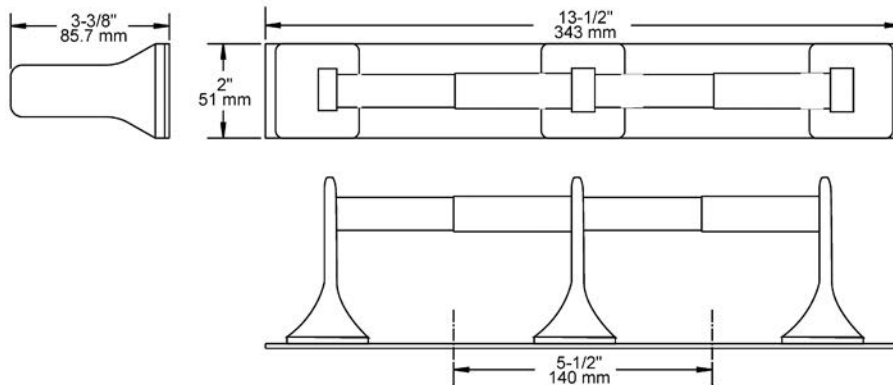


# Recessed Fixtures

## TWIN PAPER HOLDER - 980 SERIES



**MATERIALS:** Paper holder posts are die cast from highest quality virgin zinc alloy (Zamak) to meet ASTM standard B-86. Die casts are highly polished and chrome plated. Wall plates are 19 gauge zinc plated steel and are installed on 1/8" thick polished aluminum plate with rivets. Roller material as listed under each model number. All rollers are spring actuated.

**INSTALLATION:** Mount pre-assembled double roll paper holder with 2 - #9 x 3/4" flat head zinc plated steel screws provided.

**OPTIONAL FASTENER INFORMATION:** Wood blocking is preferable behind all wall surfaces. If wood blocking is not available, the following fasteners are suggested: Tile/Masonry - Plastic or Lead Anchors, Plaster/Drywall - Toggle Bolts.

**SPECIFICATION:** Surface mounted twin paper holder shall be model \_\_\_\_\_  
(fill in model number) by Liberty Hardware Manufacturing Corporation.

**FranklinBrass®**  
A Liberty Hardware Brand