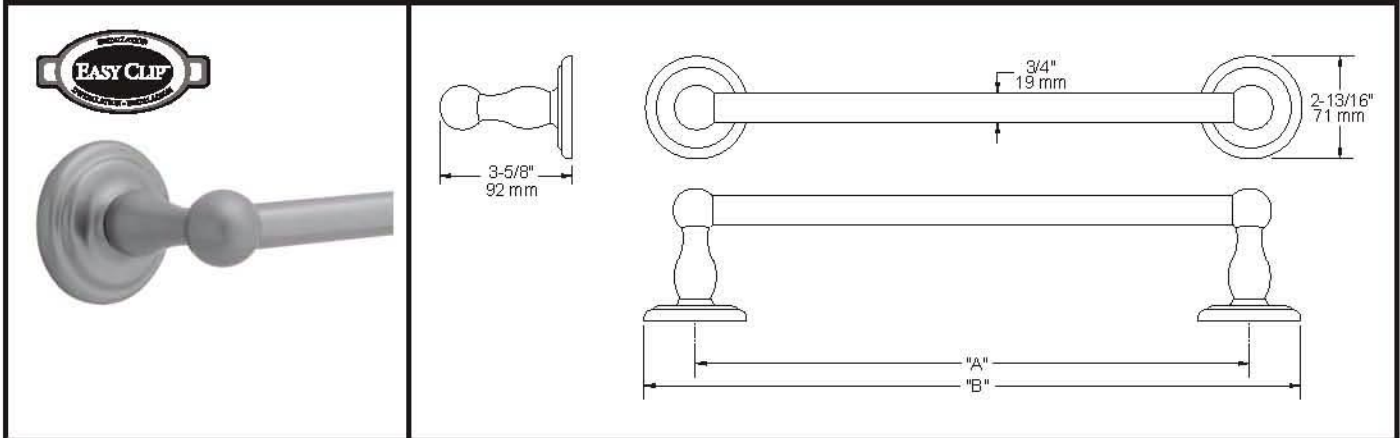


TECHNICAL DATA

Jamestown® - Retail

18 in. & 24 in. TOWEL BAR



MATERIALS: Post - Zinc Die Cast
Bar - Steel
Wall Plate - Steel, Zinc Plated

INSTALLATION: Mount wall plate bracket(s) per installation instructions with supplied fasteners. Slip product over wall plate(s) and slide down to secure.

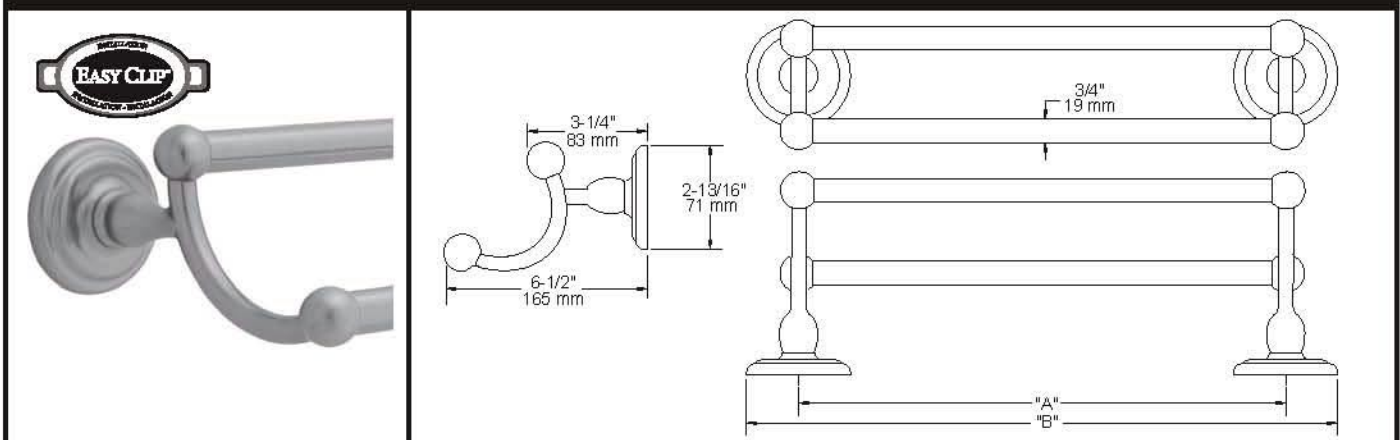
OPTIONAL FASTENER INFORMATION:
Wood blocking is preferable behind all wall surfaces. If wood blocking is not available, the following fasteners are suggested: Tile/Masonry - Plastic or Lead Anchors, Plaster/Drywall - Toggle Bolts.

SPECIFICATION: Surface mounted towel bar shall be model _____ (fill in model number) by Liberty Hardware® Manufacturing Corporation.

LENGTH	18" (457 mm)	24" (610 mm)
DIM "A"	18-1/4" (464 mm)	24-1/4" (616 mm)
DIM "B"	21-1/16" (535 mm)	27-1/16" (687 mm)

Jamestown® - Retail

18 in. & 24 in. DOUBLE TOWEL BAR



MATERIALS: Post - Zinc Die Cast
Bar - Steel
Wall Plate - Steel, Zinc Plated

INSTALLATION: Mount wall plate bracket(s) per installation instructions with supplied fasteners. Slip product over wall plate(s) and slide down to secure.

OPTIONAL FASTENER INFORMATION:
Wood blocking is preferable behind all wall surfaces. If wood blocking is not available, the following fasteners are suggested: Tile/Masonry - Plastic or Lead Anchors, Plaster/Drywall - Toggle Bolts.

SPECIFICATION: Surface mounted double towel bar shall be model _____ (fill in model number) by Liberty Hardware® Manufacturing Corporation.

LENGTH	18" (457 mm)	24" (610 mm)
DIM "A"	18-1/4" (464 mm)	24-1/4" (616 mm)
DIM "B"	21-1/16" (535 mm)	27-1/16" (687 mm)

FranklinBrass®
A Liberty Hardware Brand