

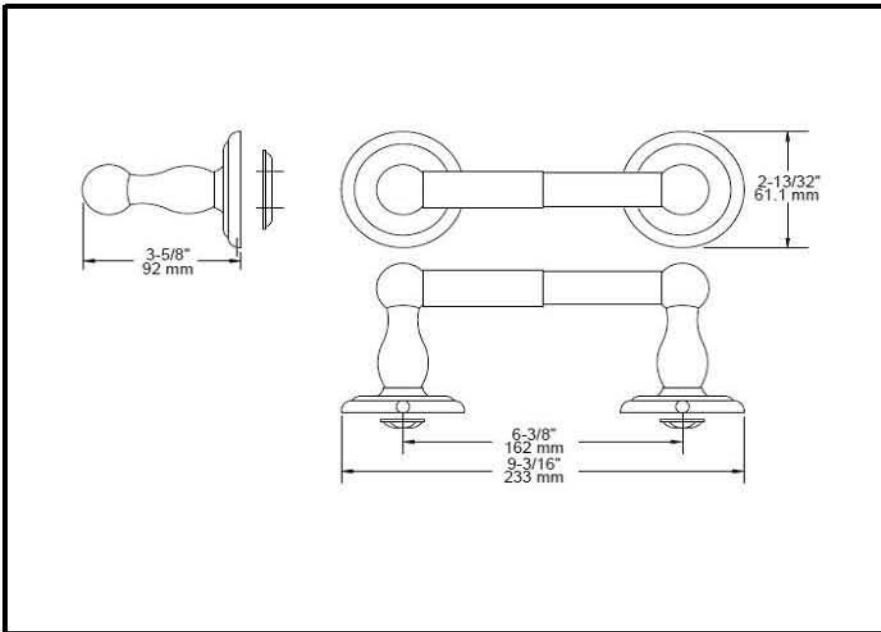


ACCESSORIES

- Jamestown™ Bath collection
- Toilet Paper Holder

Submitted Model No.: _____

Specific Features: _____



STANDARD SPECIFICATIONS:

- *Wood blocking is preferable behind all wall surfaces. If wood blocking is not available, the following fasteners are suggested: Tile/Masonry-Plastic or lead Anchors Plaster/drywall-Toggle bolts.*
- *Mounting hardware and mounting template included with product.*

WARRANTY

- *Limited Lifetime Warranty to the original consumer purchaser to be free from defects in material and workmanship.*
- *Limited Lifetime Warranty for usage in all industrial, commercial and business applications.*