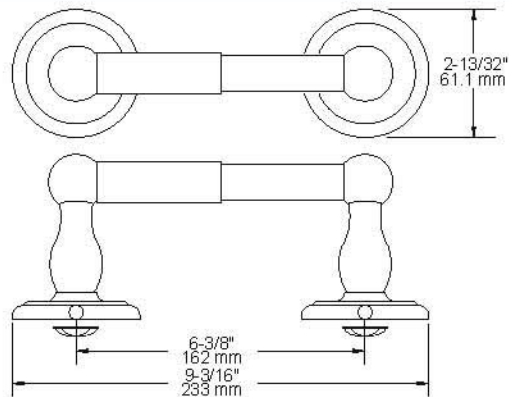
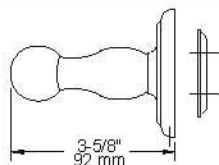


## TECHNICAL DATA

# *Jamestown® - Set Screw*

## TOILET PAPER HOLDER



### MATERIALS:

Posts - Zinc Die Cast  
 Roller - Plated ABS  
 Wall Plates - Steel, Zinc Plated

### INSTALLATION:

Mount wall plate bracket(s) per installation instructions with supplied fasteners. Slip product over wall plate(s) and tighten set screws until secure.

### OPTIONAL FASTENER INFORMATION:

Wood blocking is preferable behind all wall surfaces. If wood blocking is not available, the following fasteners are suggested: Tile/Masonry - Plastic or Lead Anchors, Plaster/Drywall - Toggle Bolts.

### SPECIFICATION:

Surface mounted toilet paper holder shall be model \_\_\_\_\_  
 (fill in model number) by Liberty Hardware Manufacturing Corporation.