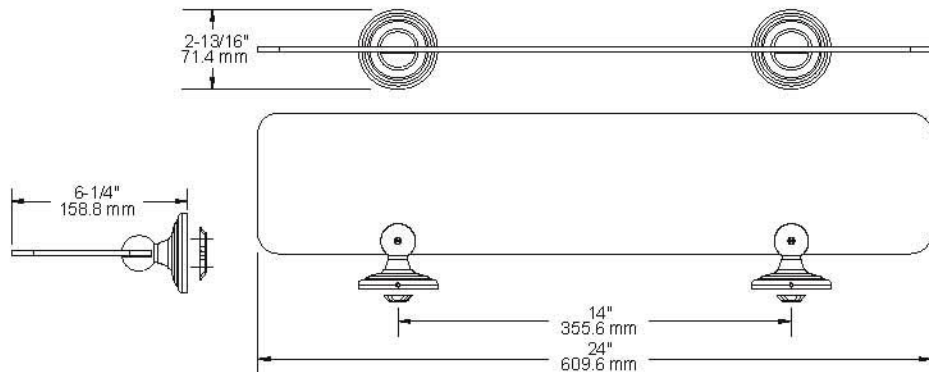


TECHNICAL DATA

Jamestown® - Set Screw

24 in. TEMPERED GLASS SHELF



MATERIALS:

Posts - Zinc Die Cast
Escutcheon - Zinc Die Cast
Shelf - Glass
Wall Plates - Steel, Nickel Plated

INSTALLATION:

Mount wall plate bracket(s) per installation instructions with supplied fasteners. Slip product over wall plate(s) and tighten set screws until secure.

OPTIONAL FASTENER INFORMATION:

Wood blocking is preferable behind all wall surfaces. If wood blocking is not available, the following fasteners are suggested: Tile/Masonry - Plastic or Lead Anchors, Plaster/Drywall - Toggle Bolts.

SPECIFICATION:

Surface mounted tempered glass shelf shall be model _____
(fill in model number) by Liberty Hardware Manufacturing Corporation.