



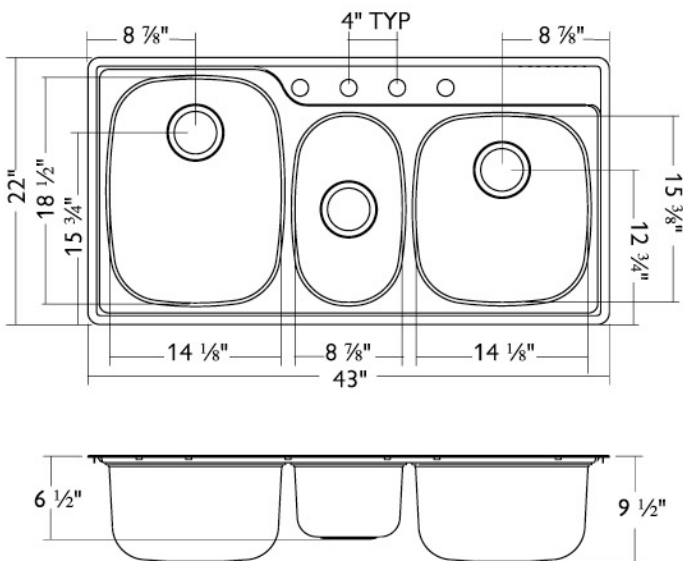
3050 Campus Drive, Ste 500  
 Hatfield, PA 19440  
 Customer Service: 1.800.637.6485

- **18-8 Stainless Steel**
- **Sound Deadening Pads**
- **Integrated Installation Rails**  
 With pre-attached clips
- **Limited Lifetime Buyer Warranty**



Fits 45" Cabinet. Requires faucet with 10" spout.

Model #	Faucet Holes	Finish Deck/Bowl	Bowl Size ↕ X ↔	Sink Depth	Overall Dimension	Gauge	Cutout Dimension
OTSK951BX	1	Silk	L: 18 1/2" x 14 1/8"	L: 9 1/2"	22" x 43"	20	21 1/4" x 42 1/4"
OTSK954BX	4		C: 15 3/8" x 8 7/8" R: 15 3/8" x 14 1/8"	C: 6 1/2" R: 9 1/2"			
OTSK951-18BX	1	Silk				18	
OTSK954-18BX	4						



JOB NAME: \_\_\_\_\_

DATE: \_\_\_\_\_

CUSTOMER: \_\_\_\_\_

MODEL SPECIFIED: \_\_\_\_\_

QUANTITY: \_\_\_\_\_

ARCHITECT/ENGINEER: \_\_\_\_\_

CONTRACTOR: \_\_\_\_\_