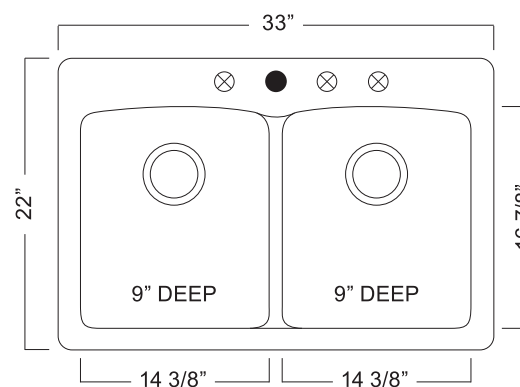


### COMPOSITE GRANITE KITCHEN SINK:

- Color: Champagne
- Topmount or undermount installation
- Rear drain wastehole location
- Sanitized® germ-fighting barrier
- 1 hole plus 3 knockouts
- 36" cabinet is recommended minimum
- Limited lifetime warranty
- Installation hardware and template included
- Shipping weight: 42 lbs



### Compliance Certifications:

IMPORTANT: Dimensions of fixtures are nominal and may vary within the range of tolerances established by ASME A112.19.3

These measurements are subject to change or cancellation. No responsibility is assumed for use of superseded or voided leaflet.

**To Be Specified:**