

INSTALLATION GUIDE

Kitchen - FF2400, FF2460, FF2480
Bar/Prep - FFBP2400, FFBP2460, FFBP2480



TECHNICAL DATA

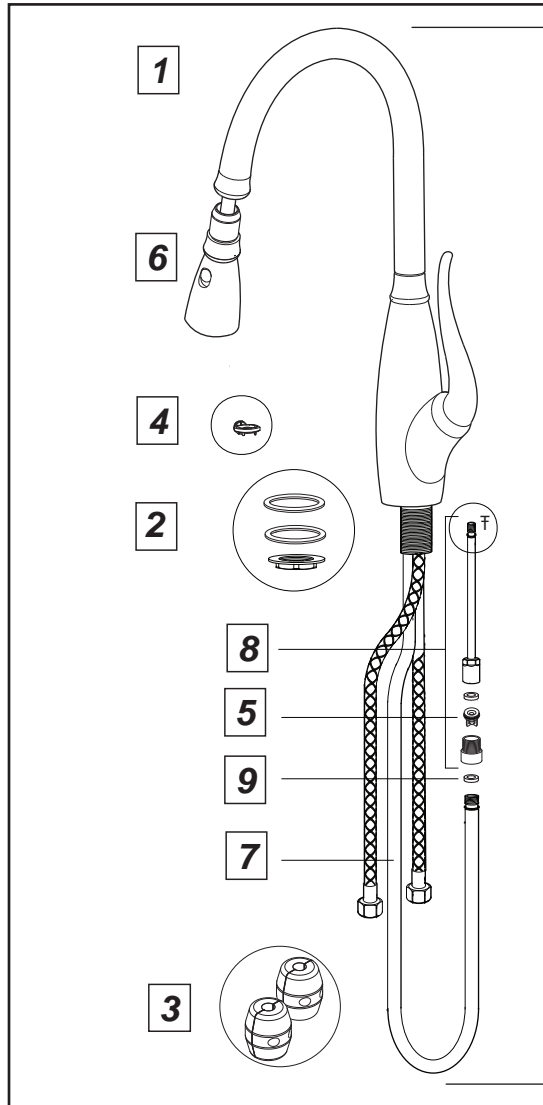
Standard Water Flow - 1.2 GPM at 45 PSI
Maximum Water Flow - 2.2 GPM at 60 PSI
Recommended Pressure Range - 15 to 75 PSI

ICC
ES[®]
PMG has certified that this faucet complies with NSF61, AB1953 and ASME 112.18.1-2011/CSA B125.1-2011 requirements

INSTALLATION INSTRUCTIONS

- 1** Remove all contents from the package and check for completeness.

NOTE:
Call us immediately if you see inconsistencies.
(1-800-626-5771)
or visit
www.frankeksd.com
info.fks@franke.com





Package Contents:

- 1 - Mixer
- 2 - Fastening Set
 - (2) Rubber Washers
 - (1) Nut
- 3 - Counterweight (2)
- 4 - Aerator Wrench
- 5 - Check Valve*
- 6 - Sprayhead - Factory Assembly
- 7 - Pull-Out Hose - Factory Assembly
- 8 - Hose Riser Assembly (attached to mixer by installer)†
- 9 - Riser Sealing Washer

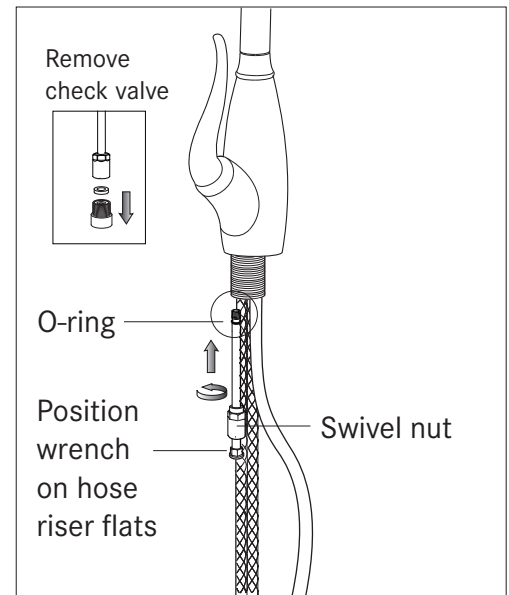
* Pre-Assembled in item 8

Installation tools:

-  9/16" [14mm] - Supply Hose
- 5/8" [16mm] - Hand shower hose
- 1-5/8" [41mm] - Fastening set
-  + Screwdriver - Phillips #2 - Weights

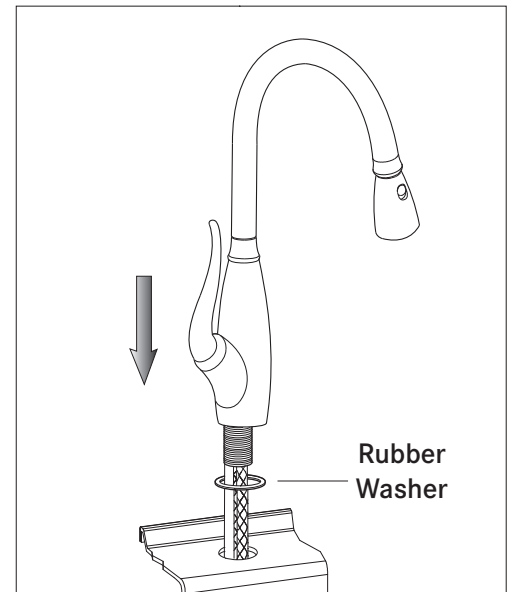
Installation

- 2 Flush the water supply to be sure it is free of debris and then shut off the water supply.
- 3 Ensure O-ring is in place as shown to create proper seal. If O-ring is missing, the faucet will leak. Remove the check valve from the riser swivel nut so the nut can be moved out of the way. Install hose riser into mixer body. Use wrench to tighten. Reinstall the check valve and sealing washer onto the swivel nut, hand tight.



- 4 Before inserting the mixer in the hole in the sink or counter top, make sure that the rubber washer is properly positioned in its seat. Place the mixer in the hole, orienting the spout toward the sink bowl.

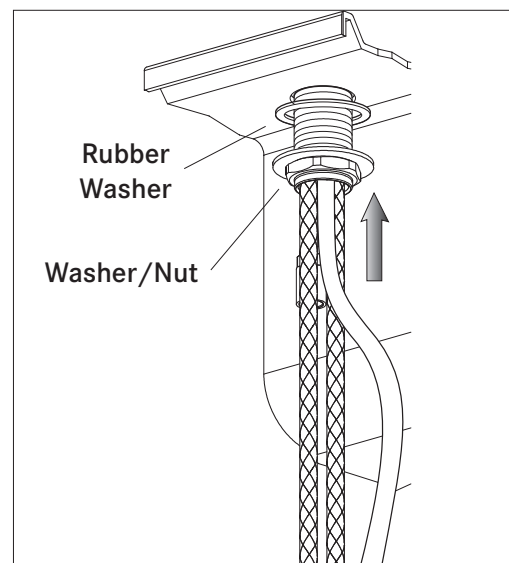
Note: Hole should be 35mm (1-3/8") minimum diameter



- 5 Install fastening set as shown: rubber washer and threaded washer/nut. Tighten the washer/nut with wrench.

DO NOT ROTATE MIXER BODY to tighten the threaded nut.

Only tighten with wrench from the underside of sink.

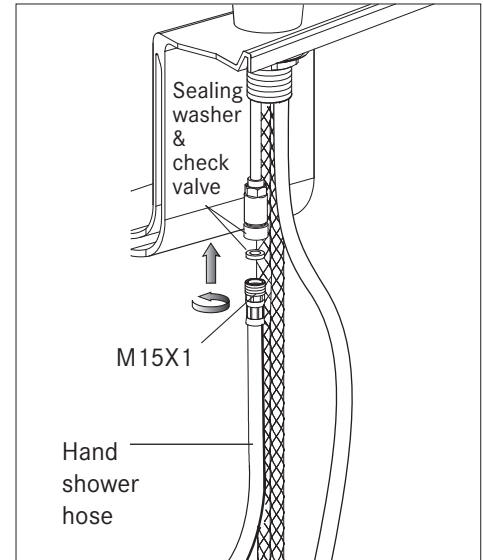


Installation

6

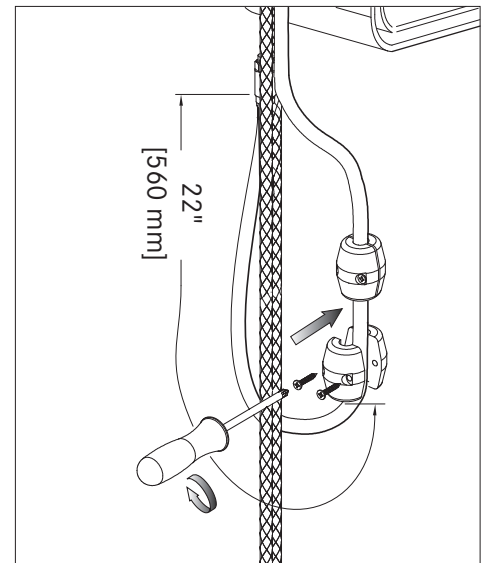
Connect the hand shower hose to the check valve at the end of the riser. Make sure the sealing washer is placed between the check valve and the hand shower hose. Tighten with wrench.

Plumber / Installer must test and confirm that all hoses, hose riser and check valve connection seals are water tight.



7

Attach the weights (2) to the hand shower hose at a suggested distance of 22" [560 mm] from the hose riser connection. The weights must be attached as close together as possible. Plumber / Installer must test and verify the correct distance. Care must be taken in positioning of the weights so the hand shower hose does not kink.



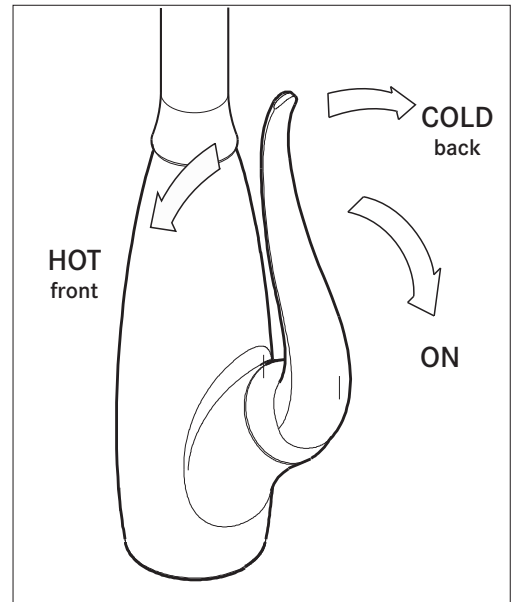
8

Connect the flexible supply hoses to the supply valves. Turn on the water supply and check for any leaks

Usage

1

The mixer can be installed with the handle positioned on the right or the left thanks to 360 degree spout rotation.

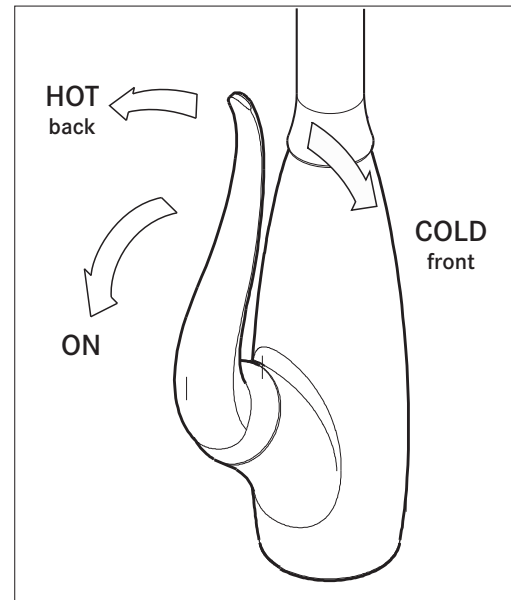


2

If the handle is installed on the right side hot water is obtained by moving the lever forward and cold water by moving it backward and water flow is turned on by moving handle to right.

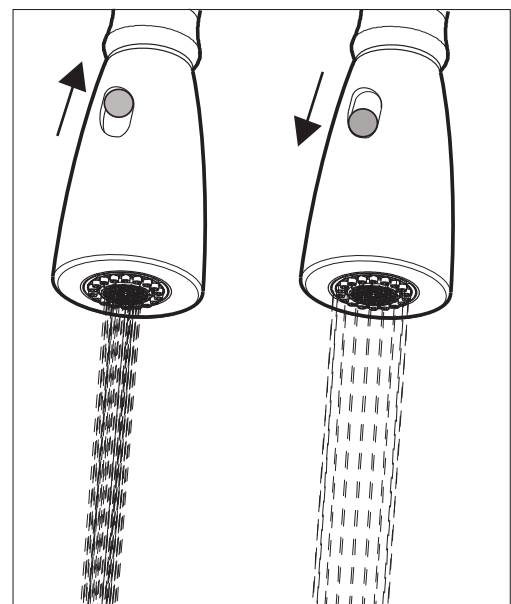
3

If the handle is installed on the left side hot water is obtained by moving the lever backward and cold water by moving it forward and water flow is turned on by moving the handle to the left.



4

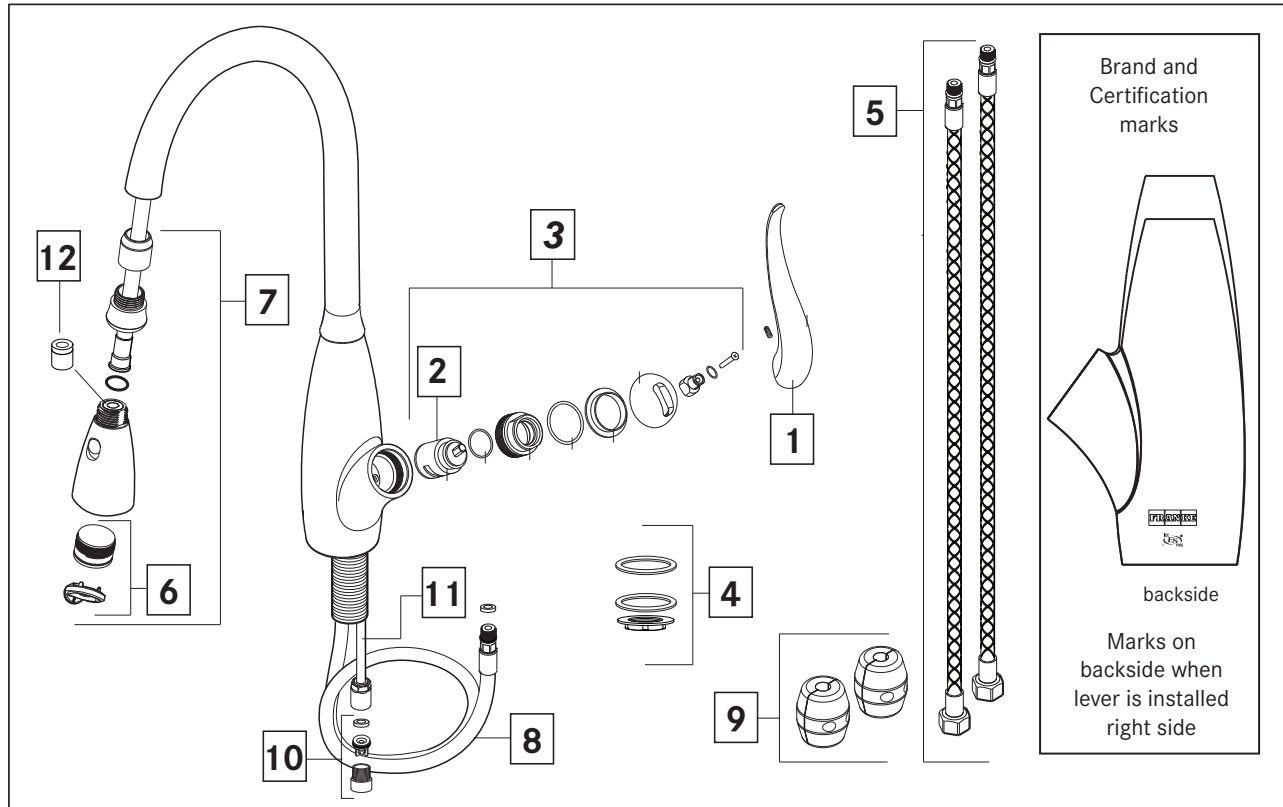
Pull out hand shower supplies two different jets by sliding the button on the front side.



MAINTENANCE

1 Replacement Parts

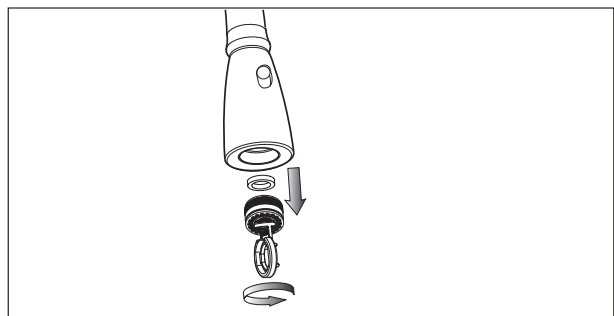
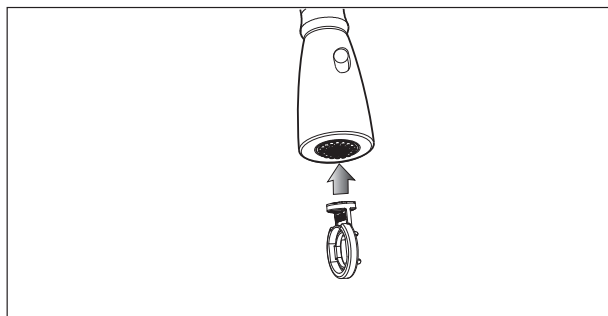
1 - F2401CH	Lever Handle - chrome	7 - 2411CH	Hand shower - chrome (bar/prep)
1 - F2401OWB	Lever Handle - old world bronze	7 - 2411OWB	Hand shower - old world bronze (bar/prep)
1 - F2401SN	Lever Handle - satin nickel	7 - 2411SN	Hand shower - satin nickel (bar/prep)
2 - F2402	Cartridge	8 - 2408	Pull-out hose
3 - F2403CH	Valve Kit - chrome	9 - 2409	Counterweight
3 - F2403OWB	Valve Kit - old world bronze	10 - 2410	Check Valve Assembly
3 - F2403SN	Valve Kit - satin nickel	11 - 2412	Hose Riser
4 - F2404	Fastening set	5 - F2405	Supply Hose
7 - 2407CH	Hand shower - chrome (kitchen)	6 - F2406	Aerator & Wrench
7 - 2407OWB	Hand shower - old world bronze (kitchen)	12 - 2413	1.75GPM Flow Restrictor
7 - 2407SN	Hand shower - satin nickel (kitchen)		



2 Aerator Cleaning / Replacement

Before carrying out this operation make sure that water supply is turned off.

If the supply is off unscrew the aerator using the wrench supplied and remove it from its seat. If the aerator is clogged rinse it with running water without using detergents. If aerator is damaged replace it and assemble everything in the opposite sequence.



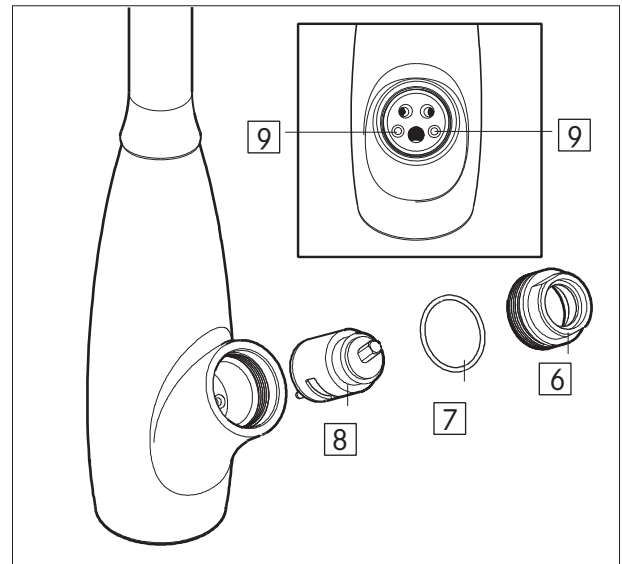
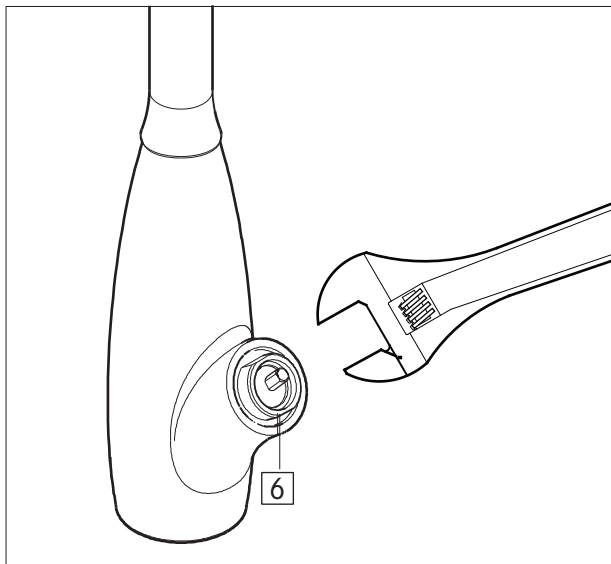
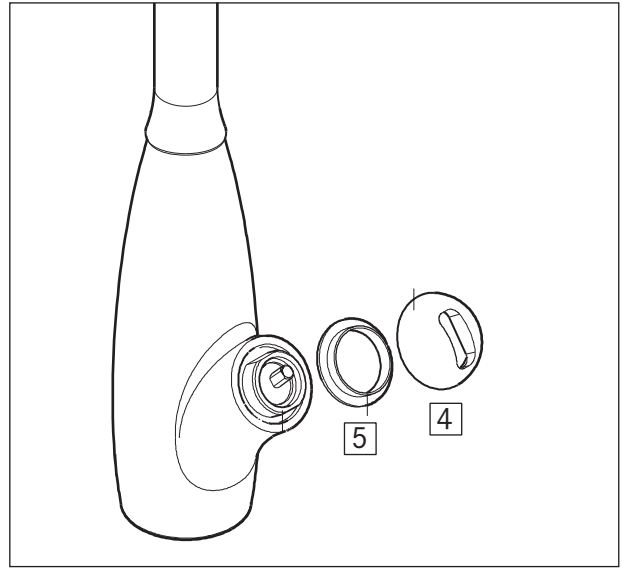
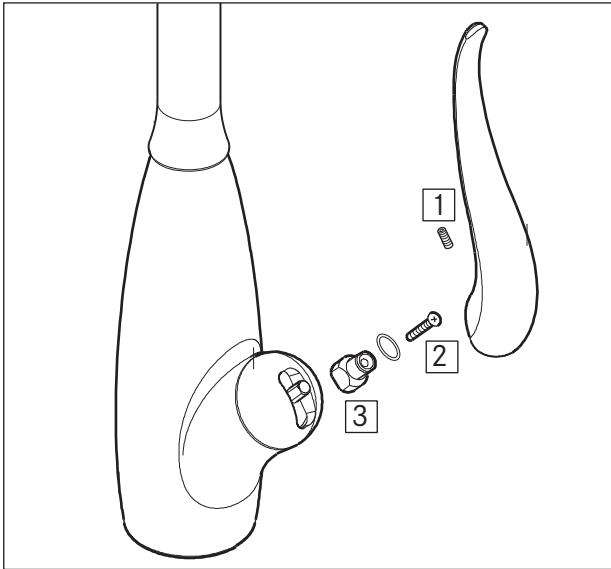
3

Cartridge Replacement

Make sure water supply is turned off before maintenance.

Unscrew set screw (1) to remove lever handle. Unscrew the screw (2) to remove handle extension (3). Lift off the dome (4) and the friction washer (5). Using a wrench unscrew the cartridge nut (6) and remove. Remove the large O-ring (7) from the nut (6) and replace with new O-ring. Remove the damaged cartridge (8) from the mixer body and discard cartridge.

Put the new cartridge into the body with the two positioning pins aligned with two seats (9) and reassemble everything in the opposite sequence. Be sure to test for leakage.



LIMITED LIFETIME WARRANTY

Franke Consumer Products, Inc., Kitchen Systems Division extends the following warranty to the original purchaser of its faucets effective January 1, 2003.

All faucets installed in a private residence will carry a limited lifetime warranty on all mechanical parts to be free of manufacturing defects in material and workmanship under normal usage. All chrome finishes carry a limited lifetime warranty; all other finishes are warranted for five (5) years from the original date of purchase.

Marine and Outdoor Installation: Franke Consumer Products, Inc. faucets are NOT warranted for Marine and Outdoor installations.

This warranty applies only to the original owner, providing the product has been installed in accordance with our installation instructions, used as recommended and in a normal residential application. In the event of a warranty claim, the owner will be required to provide proof of purchase - save sales receipt. This warranty covers all components which make the product operational. Franke, at its option, may repair or replace the product or components necessary to restore the product to good working condition. Franke reserves the right to inspect the installation prior to the actual replacement of the product or component part.

This warranty does not cover misuse or abuse, accidental damages, scuffs or scratches, improper installation, abnormal usage, negligence or damage caused by improper maintenance or cleaning. Normal wear of parts is excluded from the warranty. Damage caused by impurities or acts beyond our control are not covered. Any product or part which has been repaired or altered in any manner outside of Franke's factory, unless previously authorized in writing by Franke, will void warranty. **Any replacement excludes transportation and any labor re-installation costs.** This warranty does not allow recovery of incidental or consequential damages such as loss of use, delay, property damage or other consequential damage, and Franke accepts no liability for such damages.

The Franke warranty is limited to the above conditions and to the warranty period specified herein and is exclusive. Franke DISCLAIMS all other warranties, expressed or implied, including IMPLIED WARRANTIES OF MERCHANTABILITY AND/OR FITNESS FOR A PARTICULAR PURPOSE. This warranty gives you specific legal rights that may vary from state to state.

Further information

For any further information about our products, about the installation of them or about the guarantee, please dial the number of the customer service:

Phone number +1-215-822-6590

Or: 1-800-626-5771

Fax number + 1-215-822-5873

**Franke Consumer Products Inc. - Kitchen Systems Division
3050 Campus Drive, Suite 500 Hatfield, PA 19440**