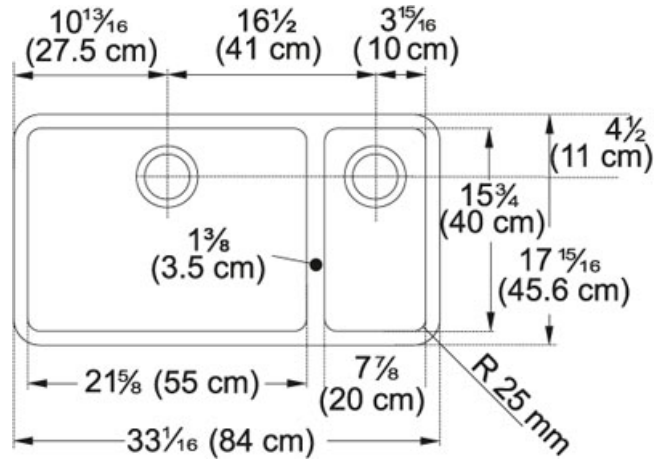


## Kubus KBX160 Stainless Steel | 122.0035.114

FAMILY : Sinks | SERIE : Kubus | MODEL : KBX160 | FINISH : Stainless Steel | INSTALLATION TYPE : Undermount | STYLE : Transitional



### TECHNICAL DATA

Minimum Cabinet Size	36"
Drain Opening	3 1/2"
Length overall	33"
Width overall	18 1/8"
Length of large bowl	21 5/8"
Width of large bowl	15 3/4"
Depth of large bowl	9 1/16"
Length of small bowl	7 7/8"
Depth of small bowl	6 5/16"
Number of Bowls	2
Cutout Length	31 7/8"
Cutout Width	16 3/4"
Type of Material	18 Gauge Stainless Steel
Cut-Out Template	Yes
Installation Clips	Yes
Franke Integral Ledge	BUILT-IN
Where to buy	Showroom
Where to buy	Showroom

# Kubus KBX160 Stainless Steel | 122.0035.114

FAMILY : Sinks | SERIE : Kubus | MODEL : KBX160 | FINISH : Stainless Steel | INSTALLATION TYPE : Undermount | STYLE : Transitional

---

## RECOMMENDED

---



---

115.0298.341

---



---

120.0355.523

---



---

119.0068.281

---



---

134.0297.202

---



---

133.0171.120

---



---

119.0066.616

---