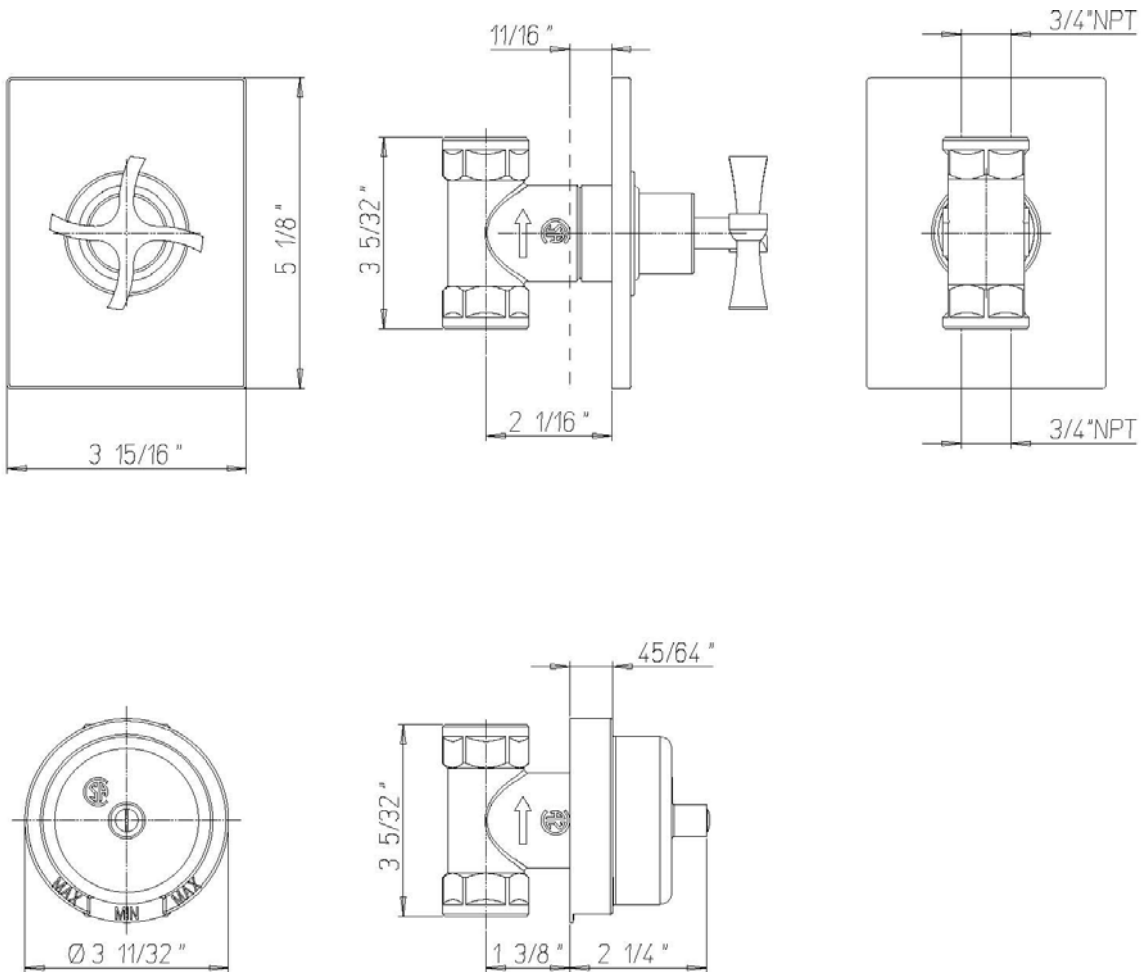


INSTALLATION DIMENSIONS

Serie Siena

8540200

Trim for 1/2" & 3/4" Volume control



Serie Siena

8540200

Trim for 1/2" & 3/4" Volume control

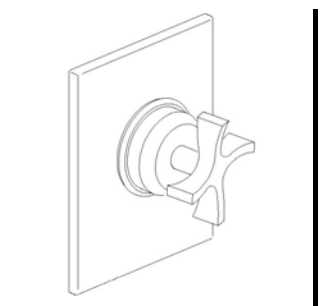
STANDARDS

- Comply with ASME A112.18.1-B125.1 requirements
- Certified By CSA international

Finishes	8540200PC	8540200BN
Polished Chrome	X	
Brushed Nickel		X

Features	8540200PC	8540200BN
Solid Brass Construction	X	X
Ceramic Disc Valving	X	X
3/4" NPT or 1/2" NPT inlet	X	X
Progressive Volume Control	X	X
Kit Includes Trim	X	X
Step-By-Step Installation Instructions	X	X
Limited Lifetime Warranty	X	X

Project: _____
 Contractor: _____



Serie Siena

8540200

Trim for 1/2" & 3/4" Volume control

STANDARDS

- Comply with ASME A112.18.1-B125.1 requirements
- Certified By CSA international

Finishes	8540200PC	8540200BN
Polished Chrome	X	
Brushed Nickel		X

Features	8540200PC	8540200BN
Solid Brass Construction	X	X
Ceramic Disc Valving	X	X
3/4" NPT or 1/2" NPT inlet	X	X
Progressive Volume Control	X	X
Kit Includes Trim	X	X
Step-By-Step Installation Instructions	X	X
Limited Lifetime Warranty	X	X

Project: _____
 Contractor: _____

