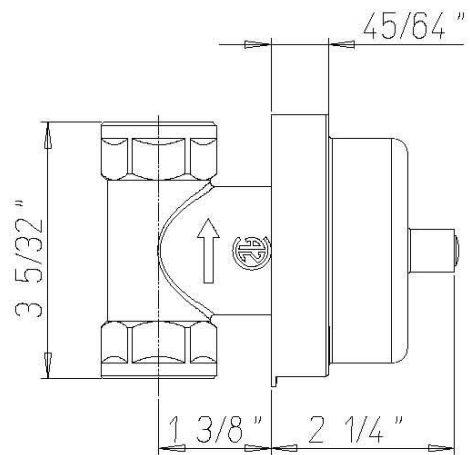
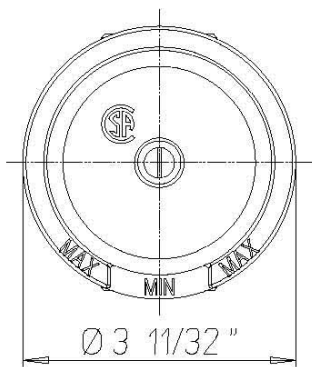
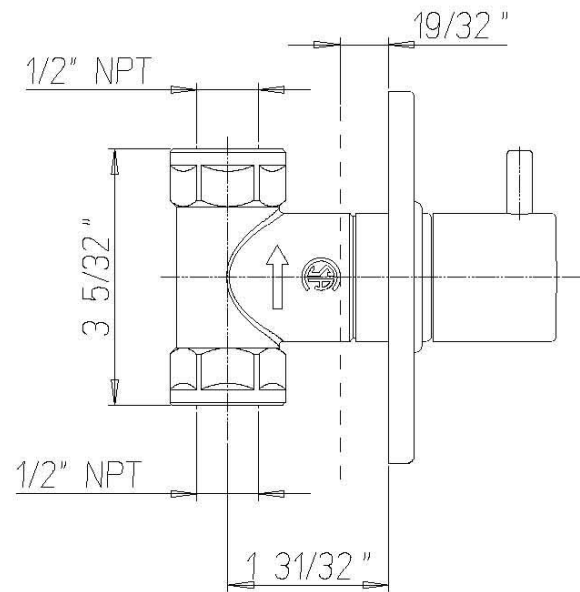
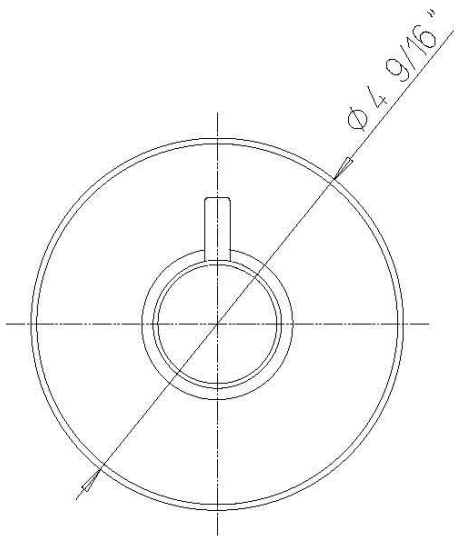


INSTALLATION DIMENSIONS

Serie Milano

7840000

1/2" Volume Control



Serie Milano

7840000

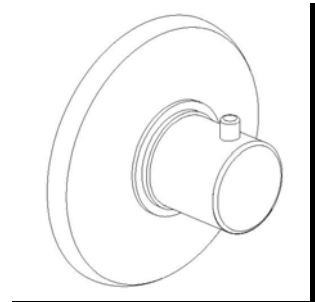
1/2" Volume Control

STANDARDS

- Compliant with ASME A112.18.1-B125.1 requirements
- Certified By CSA international

Finishes	7840000PC	7840000BN
Polished Chrome	X	
Brushed Nickel		X

Features	7840000PC	7840000BN
Solid Brass Construction	X	X
Ceramic Disc Valving	X	X
1/2" NPT Inlets	X	X
Progressive Volume Control	X	X
Kit Includes Valve & Trim	X	X
Step-By-Step Installation Instructions	X	X
Limited Lifetime Warranty	X	X



Project: _____
 Contractor: _____