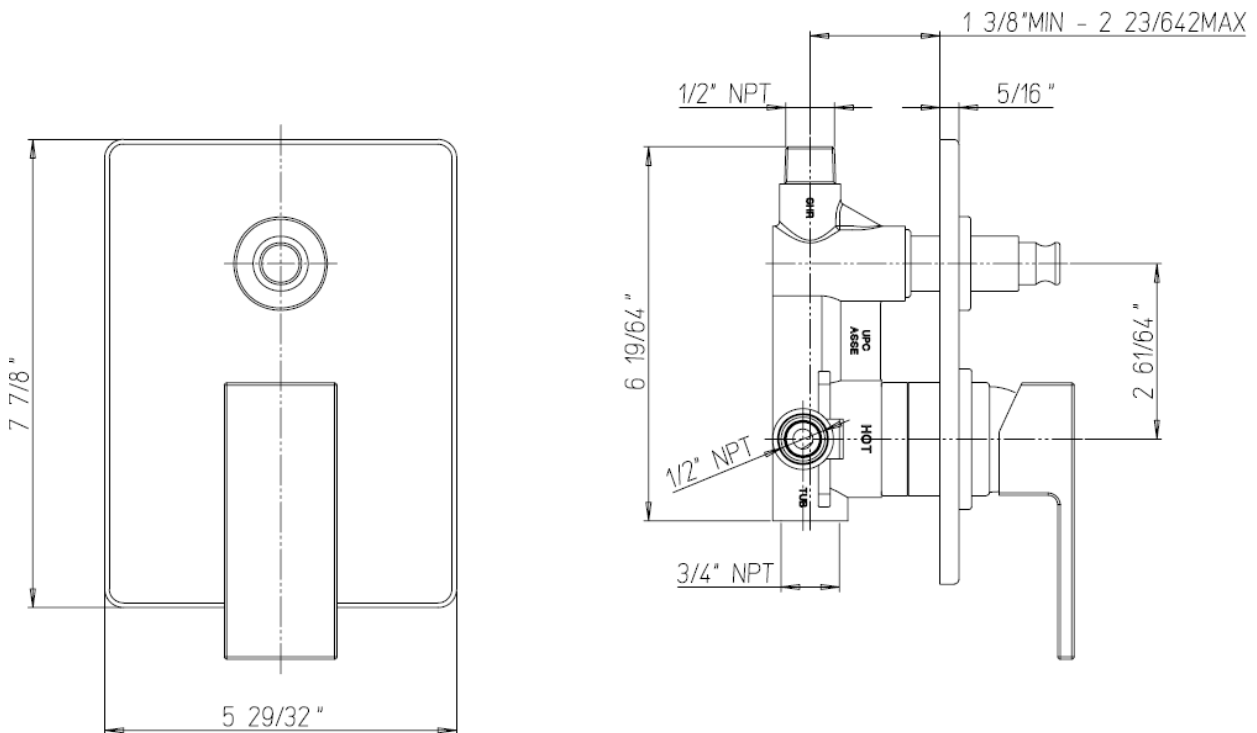


# INSTALLATION DIMENSIONS

## Serie Scala

8478700

Pressure Balance Trim with diverter



1-877-55-FORTIS (36784)

19701 Da Vinci  
Lake Forest, CA 92610

WWW.FORTISFAUCET.COM

**FORTIS.**  
FURO DESIGN ITALIANO

## Serie Scala

8478700

Pressure Balance Trim with diverter

### STANDARDS

- Comply with ASME A112.18.1-B125.1
- Comply with ASSE 1016
- Certified by CSA International
- Comply with ANSI A117.1 (Lever Only)

<b>Finishes</b>	8479700PC	8479700BN
Polished Chrome	X	
Brushed Nickel		X

<b>Features</b>	8479700PC	8479700BN
Pressure Balance Trim with diverter	X	X
Includes pressure balance cartridge	X	X
1/2" NPT Inlets	X	X
Mechanical Diverter for Tub Spout	X	X
Step-By-Step Installation Instructions	X	X
Limited Lifetime Warranty		



Project: \_\_\_\_\_

Contractor: \_\_\_\_\_