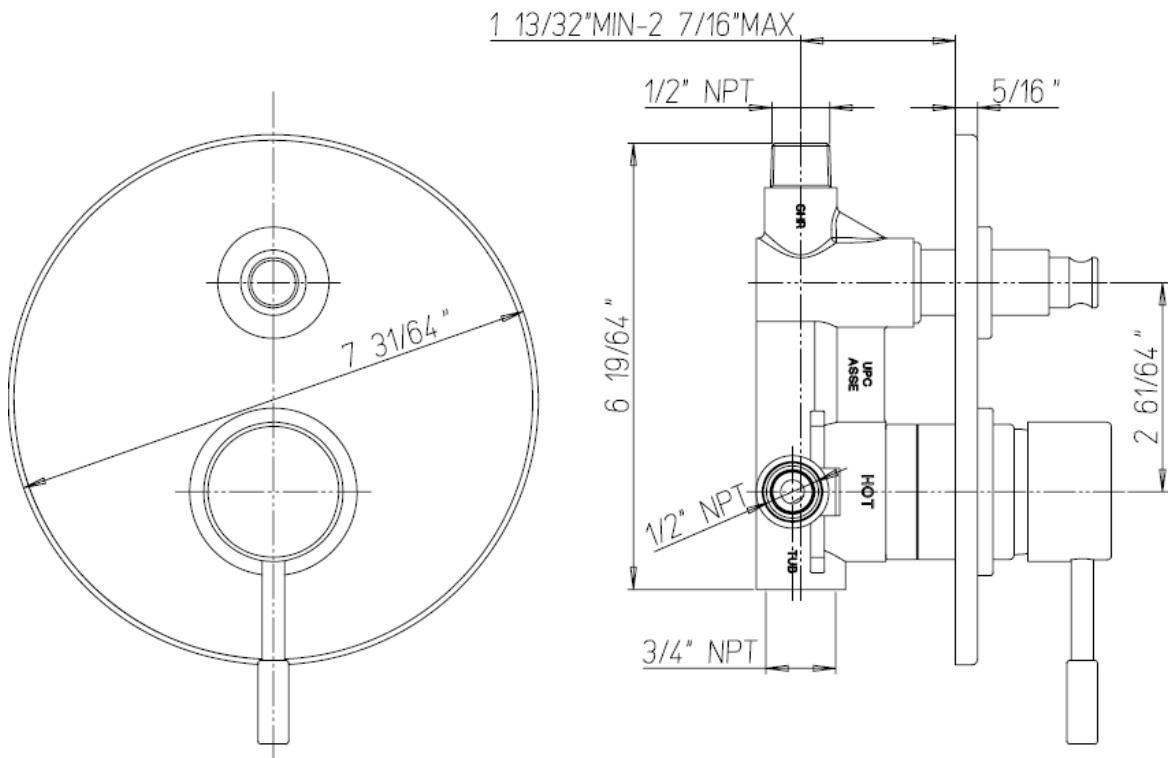


INSTALLATION DIMENSIONS

Serie Milano

7878700

Pressure Balance Trim with diverter



1-877-55-FORTIS (36784)

19701 Da Vinci
Lake Forest, CA 92610

WWW.FORTISFAUCET.COM

FORTIS.
FURO DESIGN ITALIANO

Serie Milano

7878700

Pressure Balance Trim with diverter

STANDARDS

- Compliant with ASME A112.18.1-B125.1
- Compliant with ASSE 1016
- Certified by CSA International
- Compliant with ANSI A117.1 (Lever Only)

Finishes

| | 7878700PC | 7878700BN |
|-----------------|-----------|-----------|
| Polished Chrome | X | |
| Brushed Nickel | | X |

Features

| | 7878700PC | 7878700BN |
|--|-----------|-----------|
| Pressure Balance Trim with diverter | X | X |
| Includes pressure balance cartridge | X | X |
| 1/2" NPT Inlets | X | X |
| Mechanical Diverter for Tub Spout | X | X |
| Step-By-Step Installation Instructions | X | X |
| Limited Lifetime Warranty | X | X |

Project: _____
 Contractor: _____

