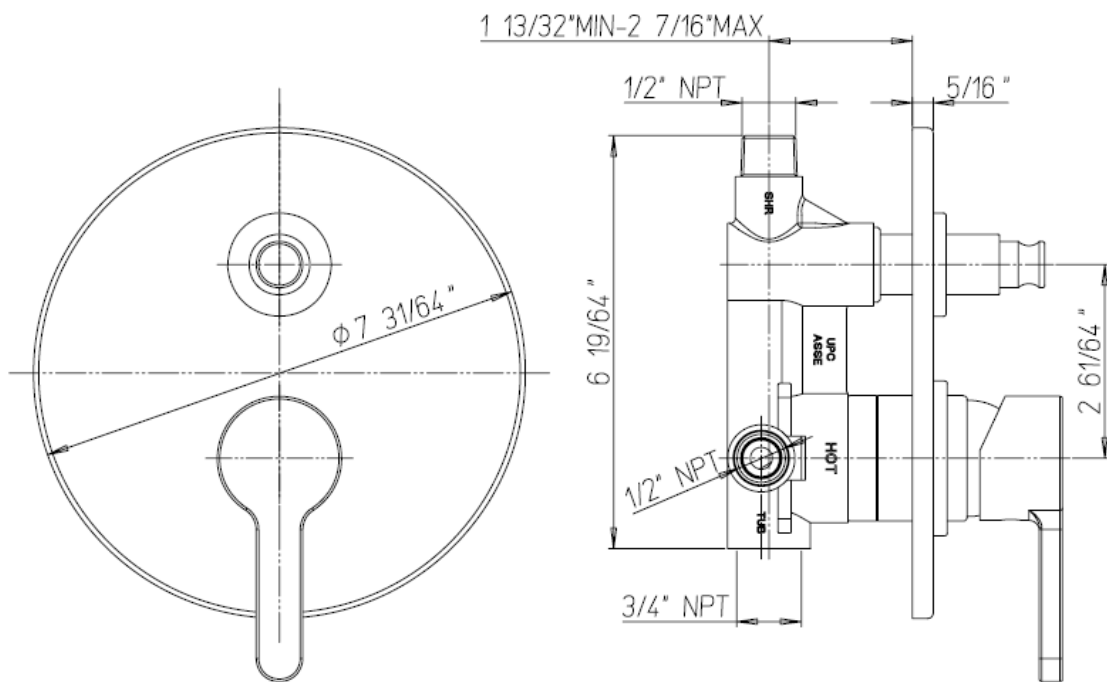


INSTALLATION DIMENSIONS

**Serie Brera**

9278700

Pressure Balance Trim with diverter



## Serie Brera

9278700

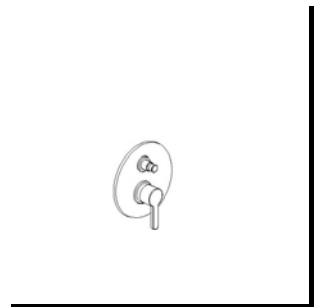
Pressure Balance Trim with diverter

### STANDARDS

- Compliant with ASME A112.18.1-B125.1
- Compliant with ASSE 1016
- Certified by CSA International
- Compliant with ANSI A117.1 (Lever Only)

<b>Finishes</b>	9278700PC	9278700BN
Polished Chrome	X	
Brushed Nickel		X

<b>Features</b>	9278700PC	9278700BN
Pressure Balance Trim with diverter	X	X
Includes pressure balance cartridge	X	X
1/2" NPT Inlets	X	X
Mechanical Diverter for Tub Spout	X	X
Step-By-Step Installation Instructions	X	X
Limited Lifetime Warranty	X	X



Project: \_\_\_\_\_  
 Contractor: \_\_\_\_\_