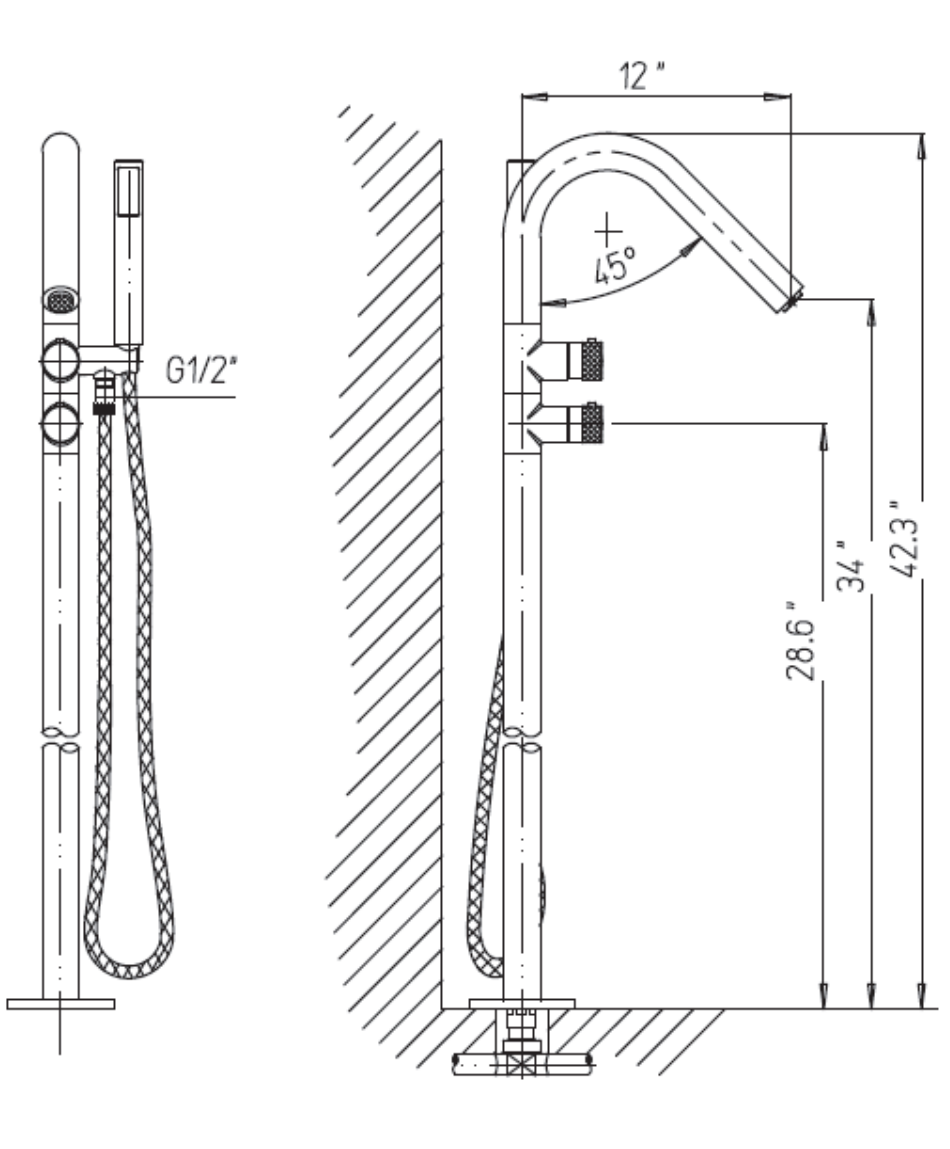


INSTALLATION DIMENSIONS

4313600

Floor Standing Thermo Tub Filler



4313600

Floor Standing Thermo Tub Filler

STANDARDS

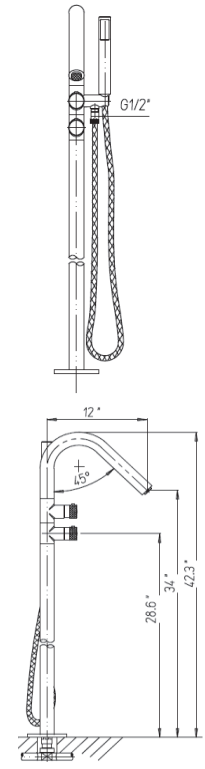
- CSA USA B125 Certified
- ANSI A117.1
- ASME A112.18.1

Finishes

	4313600PC	4316000BN
Polished Chrome	X	
Brushed Nickel		X

Features

	4313600PC	4313600BN
½" Thermostatic Tub Filler with Ceramic Disc Valves	X	X
Freestanding, Mounts to Floor	X	X
Spout Delivers 4.5gpm @ 80 PSI	X	X
Independent Temperature Control	X	X
2 Way Diverter with Progressive Volume Control	X	X
Spout features 45° Angle	X	X
Matching Handshower with Self Cleaning Nozzles, 60" Hose	X	X
Handshower Delivers 2.5gpm @ 80 PSI MAX	X	X
1/2" NPT Inlets	X	X
Step-By-Step Installation Instructions	X	X
Limited Lifetime Warranty	X	X



Project: _____
 Contractor: _____