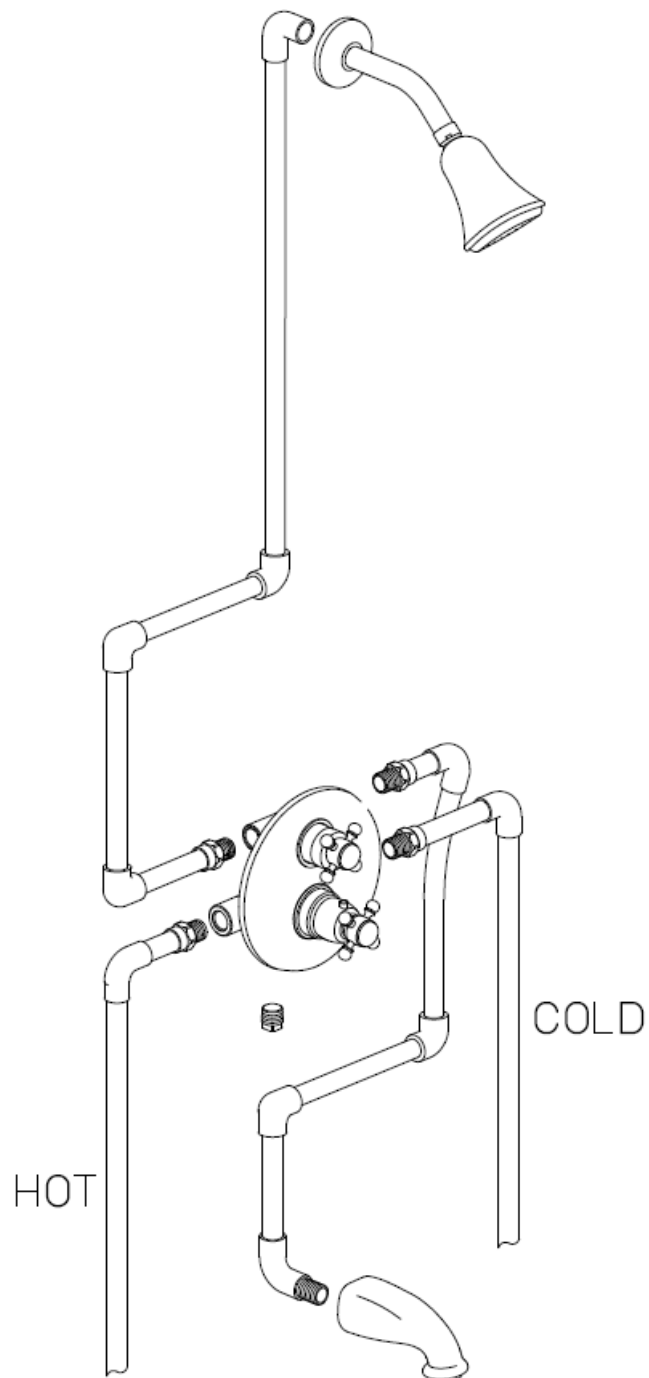

INSTALLATION DIMENSIONS

Serie Caffè

88KIT03

Shower kit 03



1-877-55-FORTIS (36784)

19701 Da Vinci
Lake Forest, CA 92610

WWW.FORTISFAUCET.COM

FORTIS.
PURO DESIGN ITALIANO

Serie Caffè

8843000

Tub Spout

STANDARDS

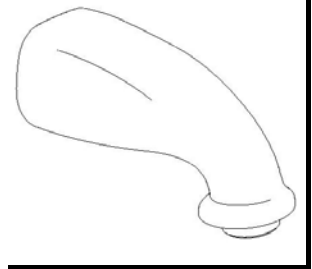
- Compliant with ASME A112.18.1-B125.1 requirements
- Certified By CSA international

Finishes	8843000PC	8843000BN	8843000TB
Polished Chrome	X		
Brushed Nickel		X	
Tuscan Bronze			X

Features	8843000PC	8843000BN	8843000TB
Solid Brass Construction	X	X	X
½" NPT inlet connector	X	X	X
Non-Diverting, Polished Tub Spout	X	X	X
Step by Step Installation Instructions	X	X	X
Limited Lifetime Warranty	X	X	X

Project: _____

Contractor: _____



Serie Caffè

8875000

Showerhead Kit

STANDARDS

- Compliant with ASME A112.18.1-B125.1 requirements
- Certified By CSA international

Finishes	8875000PC	8875000BN	8875000TB
Polished Chrome	X		
Brushed Nickel		X	
Tuscan Bronze			X

Features	8875000PC	8875000BN	8875000TB
Showerhead Kit with Matching 6" arm and flange	X	X	X
Delivers 2.5gpm at 80psi MAX	X	X	X
Showerhead features Rotating Ball Joint	X	X	X
1/2" NPT Inlets	X	X	X
Self Cleaning Spray Nozzles	X	X	X
Step-By-Step Installation Instructions	X	X	X
Limited Lifetime Warranty	X	X	X



Project: _____
 Contractor: _____

Serie Caffè

8869100

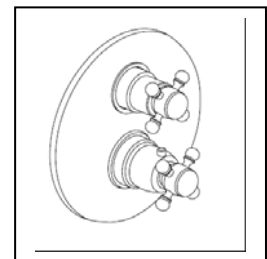
1/2" Thermostatic Valve with
Diverter & Volume Ctrl Trim only

STANDARDS

- Compliant with ASME A112.18.1-B125.1
- Compliant with ASSE 1016
- Certified by CSA International

Finishes	8869100PC	8869100BN	8869100TB
Polished Chrome	X		
Brushed Nickel		X	
Tuscan Bronze			X

Features	8869100PC	8869100BN	8869100TB
Solid Brass Construction	X	X	X
1/2" Stacked Thermostatic Valve Featuring Ceramic Discs	X	X	X
High Flow Valve Supports Multiple Outlets	X	X	X
Kit Includes Trim and Thermostatic cartridge	X	X	X
1/2" NPT Inlets	X	X	X
Diverter with Progressive Volume Control	X	X	X
Independent Temperature Control	X	X	X
Step-By-Step Installation Instructions	X	X	X
Limited Lifetime Warranty	X	X	X



Project: _____
Contractor: _____