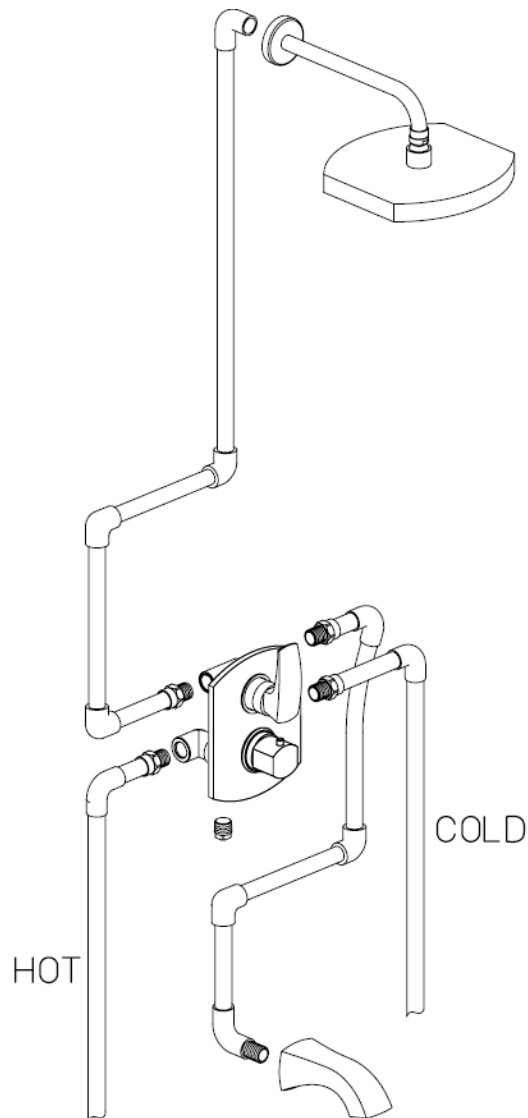


## Serie San Marco

89KIT03

Shower Kit 03



## Serie Scala

### 8469100

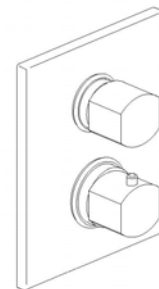
1/2" Thermostatic Valve with  
Diverter & Volume Ctrl trim only

### STANDARDS

- Compliant with ASME A112.18.1-B125.1
- Compliant with ASSE 1016
- Certified by CSA International

<b>Finishes</b>	8469100PC	8469100BN
Polished Chrome	X	
Brushed Nickel		X

<b>Features</b>	8469100PC	8469100BN
Solid Brass Construction	X	X
1/2" Stacked Thermostatic Valve Featuring Ceramic Discs	X	X
High Flow Valve Supports Multiple Outlets	X	X
Kit Includes Trim & Thermostatic cartridge	X	X
1/2" NPT Inlets	X	X
Diverter with Progressive Volume Control	X	X
Independent Temperature Control	X	X
Step-By-Step Installation Instructions	X	X
Limited Lifetime Warranty	X	X



Project: \_\_\_\_\_  
Contractor: \_\_\_\_\_

## Serie San Marco

8975000

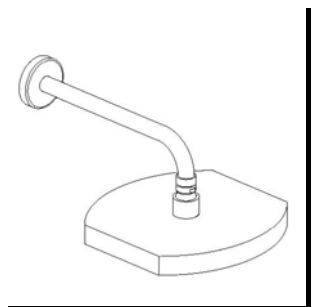
Showerhead Kit

### STANDARDS

- Compliant with ASME A112.18.1-B125.1
- Certified by CSA International

<b>Finishes</b>	8975000PC	8975000BN	8975000TB
Polished Chrome	X		
Brushed Nickel		X	
Tuscan Bronze			X

<b>Features</b>	8975000PC	8975000BN	8975000TB
Raincan Showerhead Kit with Matching 12" arm and flange	X	X	X
Delivers 2.5gpm at 80psi MAX	X	X	X
Showerhead features Rotating Ball Joint	X	X	X
1/2" NPT Inlets	X	X	X
Self Cleaning Spray Nozzles	X	X	X
Step-By-Step Installation Instructions	X	X	X
Limited Lifetime Warranty	X	X	X



Project: \_\_\_\_\_  
 Contractor: \_\_\_\_\_

## Serie San Marco

8943000

Tub Spout

### STANDARDS

- Comply with ASME A112.18.1-B125.1 requirements
- Certified By CSA international

<b>Finishes</b>	8943000PC	8943000BN	8943000TB
Polished Chrome	X		
Brushed Nickel		X	
Tuscan Bronze			X

<b>Features</b>	8943000PC	8943000BN	8943000TB
Solid Brass Construction	X	X	X
½" NPT inlet connector	X	X	X
Non-Diverting, Polished Tub Spout	X	X	X
Step by Step Installation Instructions	X	X	X
Limited Lifetime Warranty	X	X	X

Project: \_\_\_\_\_  
 Contractor: \_\_\_\_\_

