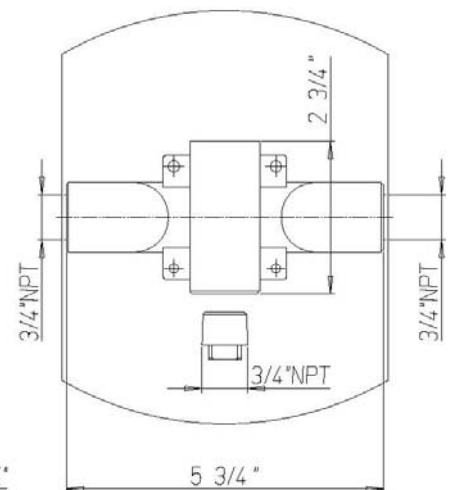
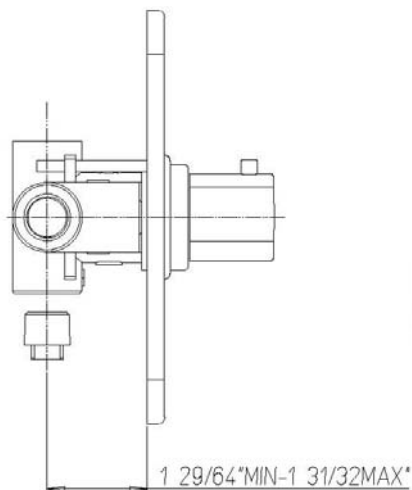
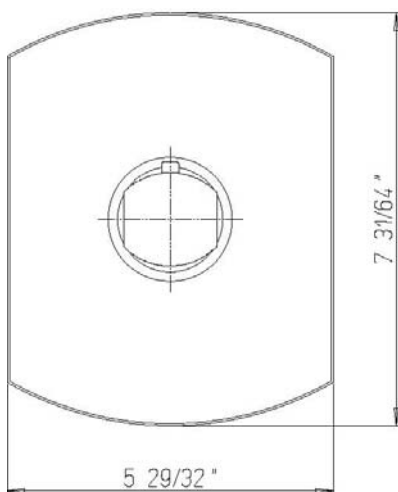


INSTALLATION DIMENSIONS

**Serie San Marco**

8971100

Thermostatic Trim Kit for 3/4" Valve



1-877-55-FORTIS (36784)

19701 Da Vinci  
Lake Forest, CA 92610

WWW.FORTISFAUCET.COM

**FORTIS.**  
PURO DESIGN ITALIANO

## Serie San Marco

### 8971100

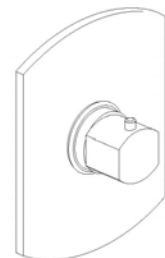
Thermostatic Trim Kit for 3/4" Valve

### STANDARDS

- Compliant with ASME A112.18.1-B125.1
- Compliant with ASSE 1016
- Certified by CSA International

<b>Finishes</b>	8971100PC	8971100BN	8971100TB
Polished Chrome	X		
Brushed Nickel		X	
Tuscan Bronze			X

<b>Features</b>	8971100PC	8971100BN	8971100TB
Solid Brass Construction	X	X	X
3/4" Thermostatic Valve featuring Ceramic Discs	X	X	X
Kit Includes Trim & Thermostatic cartridge	X	X	X
High Flow Thermostatic Valve Supports Multiple Outlets	X	X	X
3/4" NPT Inlets	X	X	X
Safety High Limit Temperature Stop	X	X	X
Step-By-Step Installation Instructions	X	X	X
Limited Lifetime Warranty	X	X	X



Project: \_\_\_\_\_

Contractor: \_\_\_\_\_