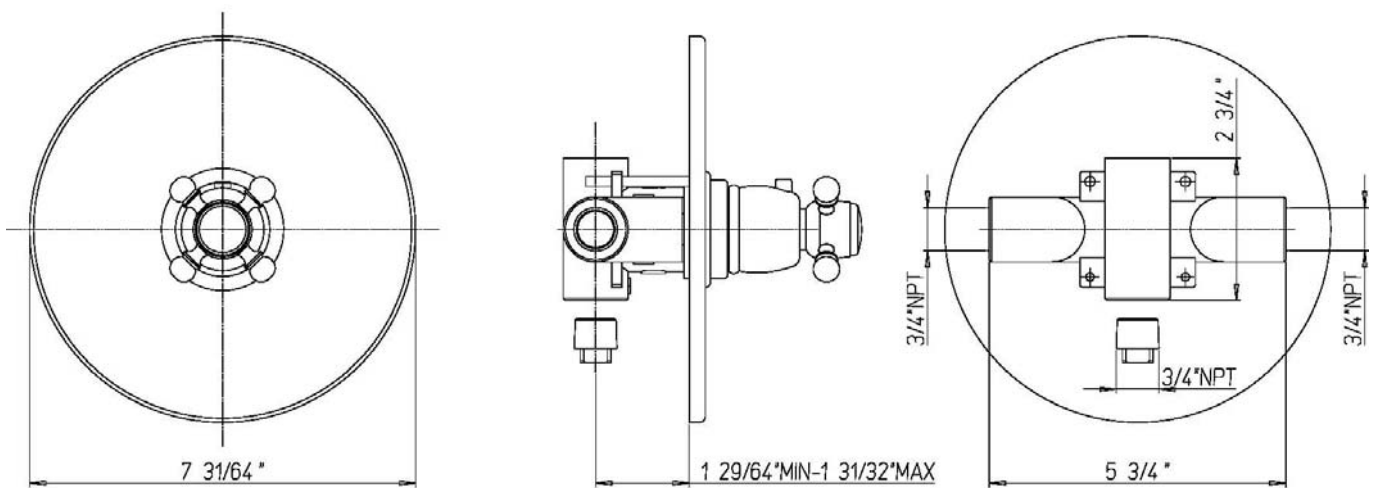


INSTALLATION DIMENSIONS

**Serie Caffè**

8871100

Thermostatic Trim Kit for 3/4" Valve



1-877-55-FORTIS (36784)

19701 Da Vinci  
Lake Forest, CA 92610

WWW.FORTISFAUCET.COM

**FORTIS.**  
PURO DESIGN ITALIANO

## Serie Caffè

### 8871100

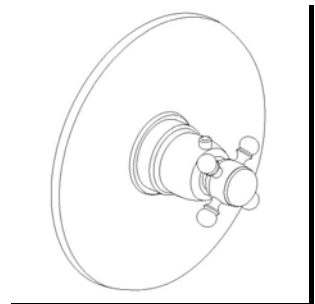
Thermostatic Trim Kit for 3/4" Valve

### STANDARDS

- Compliant with ASME A112.18.1-B125.1
- Compliant with ASSE 1016
- Certified by CSA International

| <b>Finishes</b> | 8871100PC | 8871100BN | 8871100TB |
|-----------------|-----------|-----------|-----------|
| Polished Chrome | X         |           |           |
| Brushed Nickel  |           | X         |           |
| Tuscan Bronze   |           |           | X         |

| <b>Features</b>  | 8871100PC | 8871100BN | 8871100TB |
|--|-----------|-----------|-----------|
| Solid Brass Construction                               | X         | X         | X         |
| 3/4" Thermostatic Valve featuring Ceramic Discs        | X         | X         | X         |
| Kit Includes Trim & Thermostatic cartridge             | X         | X         | X         |
| High Flow Thermostatic Valve Supports Multiple Outlets | X         | X         | X         |
| 3/4" NPT Inlets  | X         | X         | X         |
| Safety High Limit Temperature Stop                     | X         | X         | X         |
| Step-By-Step Installation Instructions                 | X         | X         | X         |
| Limited Lifetime Warranty                              | X         | X         | X         |



Project: \_\_\_\_\_  
 Contractor: \_\_\_\_\_