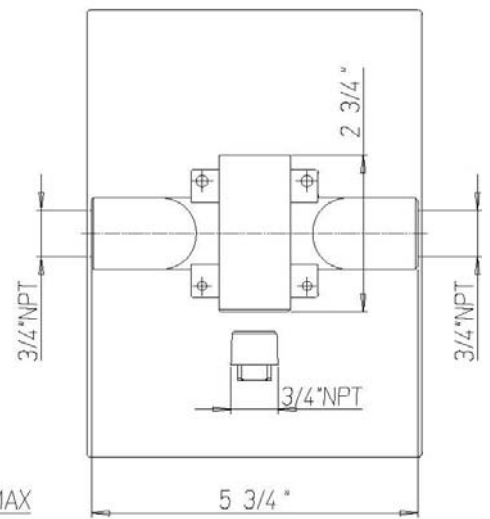
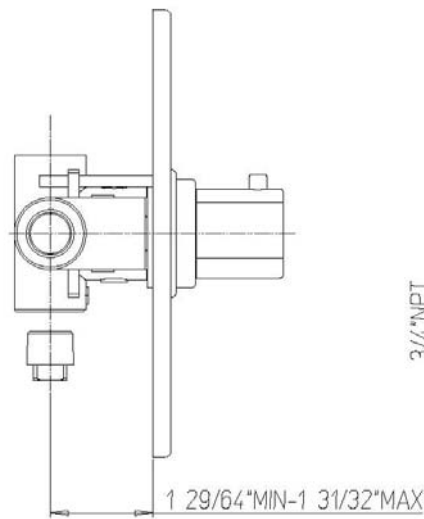
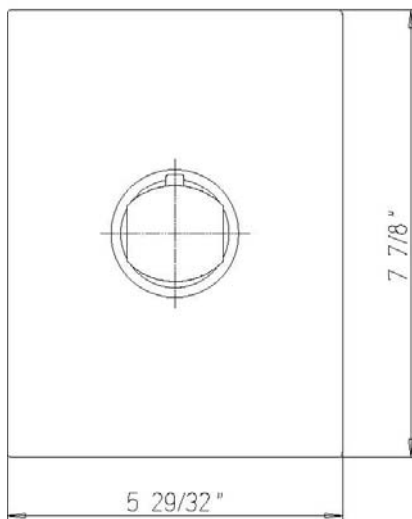


INSTALLATION DIMENSIONS

Serie Scala

8471100

Thermostatic Trim Kit for 3/4" valve



1-877-55-FORTIS (36784)

19701 Da Vinci
Lake Forest, CA 92610

WWW.FORTISFAUCET.COM

FORTIS.
PURO DESIGN ITALIANO

Serie Scala

8471100

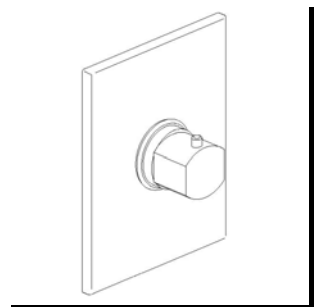
Thermostatic Trim Kit for 3/4" valve

STANDARDS

- Compliant with ASME A112.18.1-B125.1
- Compliant with ASSE 1016
- Certified by CSA International

Finishes	8471100PC	8471100BN
Polished Chrome	X	
Brushed Nickel		X

Features	8471100PC	8471100BN
Solid Brass Construction	X	X
3/4" Thermostatic Valve featuring Ceramic Discs	X	X
Kit Includes Trim & Thermostatic cartridge	X	X
High Flow Thermostatic Valve Supports Multiple Outlets	X	X
3/4" NPT Inlets	X	X
Safety High Limit Temperature Stop	X	X
Step-By-Step Installation Instructions	X	X
Limited Lifetime Warranty	X	X



Project: _____
 Contractor: _____