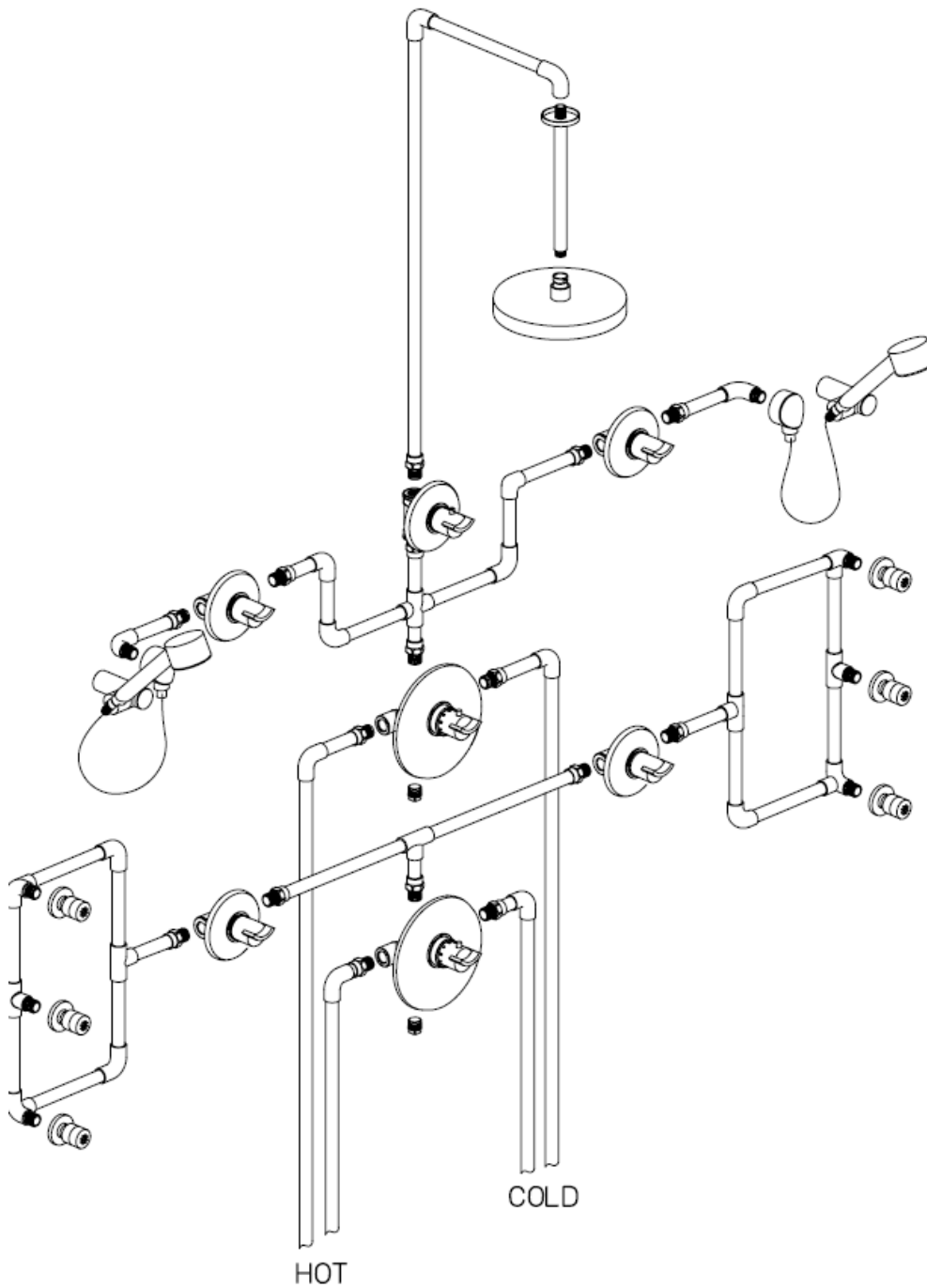


Serie Roma

73KIT08

Shower Kit 08



Serie Roma

7340200

Trim for 1/2" & 3/4" Volume control

STANDARDS

- Comply with ASME A112.18.1-B125.1 requirements
- Certified By CSA international

Finishes

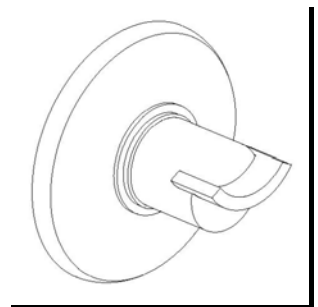
	7340200PC	7340200BN
Polished Chrome	X	
Brushed Nickel		X

Features

	7340200PC	7340200BN
Solid Brass Construction	X	X
Ceramic Disc Valving	X	X
3/4" NPT or 1/2" NPT inlet	X	X
Progressive Volume Control	X	X
Kit Includes Trim	X	X
Step-By-Step Installation Instructions	X	X
Limited Lifetime Warranty	X	X

Project: _____

Contractor: _____



Serie Milano

7875900

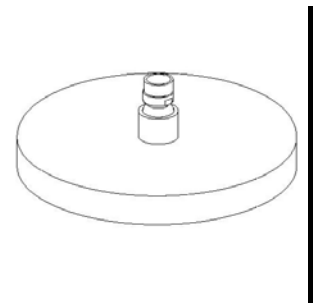
8" Raincan Showerhead, Round Design

STANDARDS

- Compliant with ASME A112.18.1-B125.1
- Certified by CSA International

Finishes	7875900PC	7875900BN
Polished Chrome	X	
Brushed Nickel		X

Features	7875900PC	7875900BN
Raincan Showerhead	X	X
Delivers 2.5gpm at 80psi MAX	X	X
Showerhead features Rotating Ball Joint	X	X
1/2" NPT Inlets	X	X
Self Cleaning Spray Nozzles	X	X
Step-By-Step Installation Instructions	X	X
Limited Lifetime Warranty	X	X



Project: _____
 Contractor: _____

Serie Milano

7872100

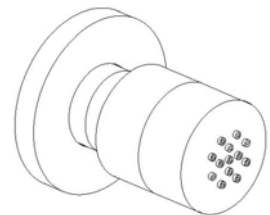
Body Spray

STANDARDS

- Compliant with ASME A112.18.1-B125.1
- Certified by CSA International

Finishes	7872100PC	7872100BN
Polished Chrome	X	
Brushed Nickel		X

Features	7872100PC	7872100BN
Invigorating Body Jet	X	X
Delivers 2.5gpm at 80psi MAX	X	X
Sprayer features 30° Rotation	X	X
1/2" NPT Inlets	X	X
Self Cleaning Spray Nozzles	X	X
Step-By-Step Installation Instructions	X	X
Limited Lifetime Warranty	X	X



Project: _____
 Contractor: _____

Serie Milano

7813100

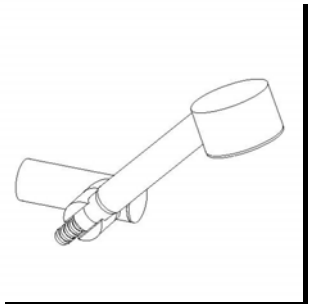
Wallmounted Handshower Set

STANDARDS

- Comply with ASME A112.18.1-B125.1 requirements
- Certified By CSA international

Finishes	7813100PC	7813100BN
Polished Chrome	X	
Brushed Nickel		X

Features	7813100PC	7813100BN
Wallmount Handshower Kit	X	X
Hand Shower with Dual Check Valves	X	X
Back Flow Prevention System	X	X
Includes: Hand Shower, Hose, Slide Bar, and Drop Elbow	X	X
60" Metal Hose with Matching Finish	X	X
Self Cleaning Spray Head	X	X
Step By Step Installation Instructions	X	X
Limited Lifetime Warranty	X	X



Project: _____

Contractor: _____

Serie Roma

7371100

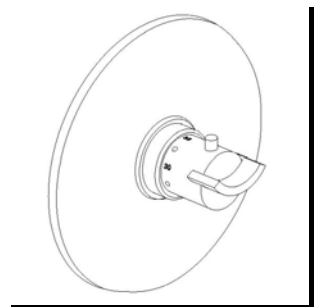
Thermostatic Trim Kit for ¾ Valve

STANDARDS

- Compliant with ASME A112.18.1-B125.1
- Compliant with ASSE 1016
- Certified by CSA International

Finishes	7371100PC	7371100BN
Polished Chrome	X	
Brushed Nickel		X

Features	7371100PC	7371100BN
Solid Brass Construction	X	X
¾" Thermostatic Valve featuring Ceramic Discs	X	X
Kit Includes Trim & Thermostatic cartridge	X	X
High Flow Thermostatic Valve Supports Multiple Outlets	X	X
¾" NPT Inlets	X	X
Safety High Limit Temperature Stop	X	X
Step-By-Step Installation Instructions	X	X
Limited Lifetime Warranty	X	X



Project: _____
 Contractor: _____