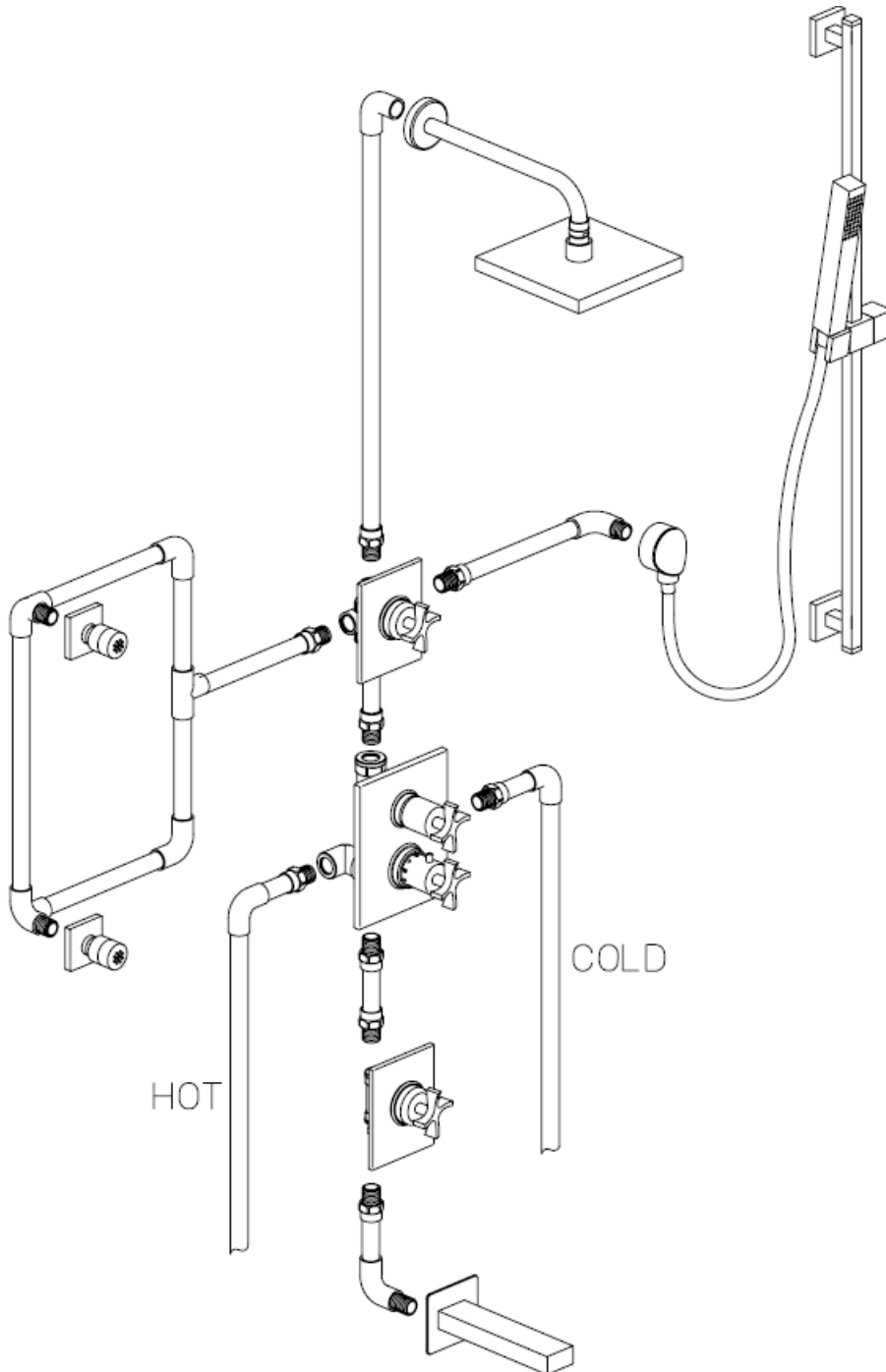


INSTALLATION DIMENSIONS

Serie Siena

85KIT10

Shower Kit 10



Serie Scala

8412900

Adjustable Slidebar Handshower Set

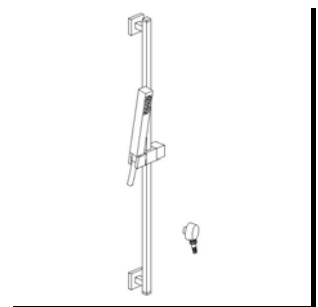
STANDARDS

- Compliant with ASME A112.18.1-B125.1 requirements
- Certified By CSA international

Finishes	8412900PC	8412900BN
Polished Chrome	X	
Brushed Nickel		X

Features	8412900PC	8412900BN
24" Adjustable Brass Slide Bar	X	X
Hand Shower with Dual Check Valves	X	X
Back Flow Prevention System	X	X
Includes: Hand Shower, Hose, Slide Bar, and Drop Elbow	X	X
60" Hose with Matching Finish	X	X
Self Cleaning Spray Head	X	X
Step By Step Installation Instructions	X	X
Limited Lifetime Warranty	X	X

Project: _____
 Contractor: _____



Serie Siena

8569000

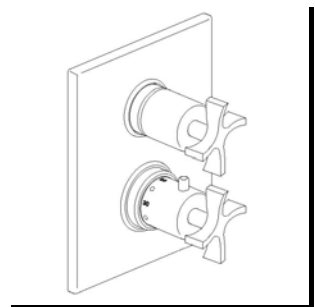
1/2" Thermostatic Valve with Volume Control
Trim only

STANDARDS

- Compliant with ASME A112.18.1-B125.1
- Compliant with ASSE 1016
- Certified by CSA International

Finishes	8569000PC	8569000BN
Polished Chrome	X	
Brushed Nickel		X

Features	8569000PC	8569000BN
Solid Brass Construction	X	X
1/2" Stacked Thermostatic Valve Featuring Ceramic Discs	X	X
High Flow Valve Supports Multiple Outlets	X	X
Kit Includes Trim and Thermostatic cartridge	X	X
1/2" NPT Inlets	X	X
Progressive Volume Control	X	X
Independent Temperature Control	X	X
Step-By-Step Installation Instructions	X	X
Limited Lifetime Warranty	X	X



Project: _____
Contractor: _____

Serie Siena

8542500

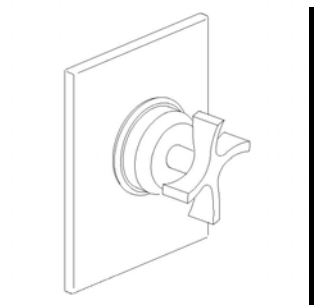
4-Port, 3 Way Diverter Valve

STANDARDS

- Compliant with ASME A112.18.1-B125.1 requirements
- Certified By CSA international

Finishes	8542500PC	8542500BN
Polished Chrome	X	
Brushed Nickel		X

Features	8542500PC	8542500BN
Solid Brass Construction	X	X
Ceramic Disc Valving	X	X
1/2" NPT Inlet	X	X
1 Inlet, 3 Outlets	X	X
Select Individual Or Shared Outlet Positioning	X	X
3 Shared Positions For Activating 2 Outlets Simultaneously	X	X
Kit Includes Valve & Trim	X	X
Step-By-Step Installation Instructions	X	X
Limited Lifetime Warranty	X	X



Project: _____
 Contractor: _____

Serie Siena

8540200

Trim for 1/2" & 3/4" Volume control

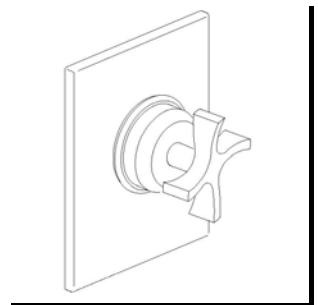
STANDARDS

- Comply with ASME A112.18.1-B125.1 requirements
- Certified By CSA international

Finishes	8540200PC	8540200BN
Polished Chrome	X	
Brushed Nickel		X

Features	8540200PC	8540200BN
Solid Brass Construction	X	X
Ceramic Disc Valving	X	X
3/4" NPT or 1/2" NPT inlet	X	X
Progressive Volume Control	X	X
Kit Includes Trim	X	X
Step-By-Step Installation Instructions	X	X
Limited Lifetime Warranty	X	X

Project: _____
 Contractor: _____



Serie Scala

8475000

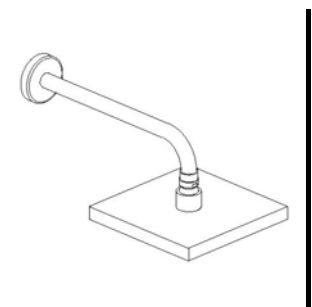
Showerhead Kit

STANDARDS

- Compliant with ASME A112.18.1-B125.1 requirements
- Certified By CSA international

Finishes	8475000PC	8475000BN
Polished Chrome	X	
Brushed Nickel		X

Features	8475000PC	8475000BN
Raincan Showerhead Kit with Matching 12" arm and flange	X	X
Delivers 2.5gpm at 80psi MAX	X	X
Showerhead features Rotating Ball Joint	X	X
1/2" NPT Inlets	X	X
Self Cleaning Spray Nozzles	X	X
Step-By-Step Installation Instructions	X	X
Limited Lifetime Warranty	X	X



Project: _____
 Contractor: _____

Serie Scala

8472100

Body Spray

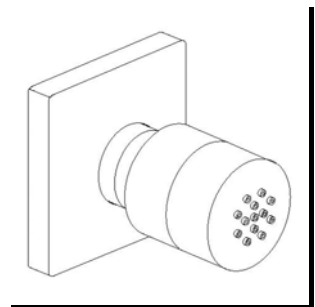
STANDARDS

- Compliant with ASME A112.18.1-B125.1 requirements
- Certified By CSA international

Finishes	8472100PC	8472100BN
Polished Chrome	X	
Brushed Nickel		X

Features	8472100PC	8472100BN
Invigorating Body Jet	X	X
Delivers 2.5gpm at 80psi MAX	X	X
Sprayer features 30° Rotation	X	X
1/2" NPT Inlets	X	X
Self Cleaning Spray Nozzles	X	X
Step-By-Step Installation Instructions	X	X
Limited Lifetime Warranty	X	X

Project: _____
 Contractor: _____



Serie Scala

8443000

Tub Spout

STANDARDS

- Compliant with ASME A112.18.1-B125.1 requirements
- Certified By CSA international

Finishes	8443000PC	8443000BN
Polished Chrome	X	
Brushed Nickel		X

Features	8443000PC	8443000BN
Solid Brass Construction	X	X
½" NPT inlet connector	X	X
Non-Diverting, Polished Tub Spout	X	X
Step by Step Installation Instructions	X	X
Limited Lifetime Warranty	X	X

Project: _____

Contractor: _____

