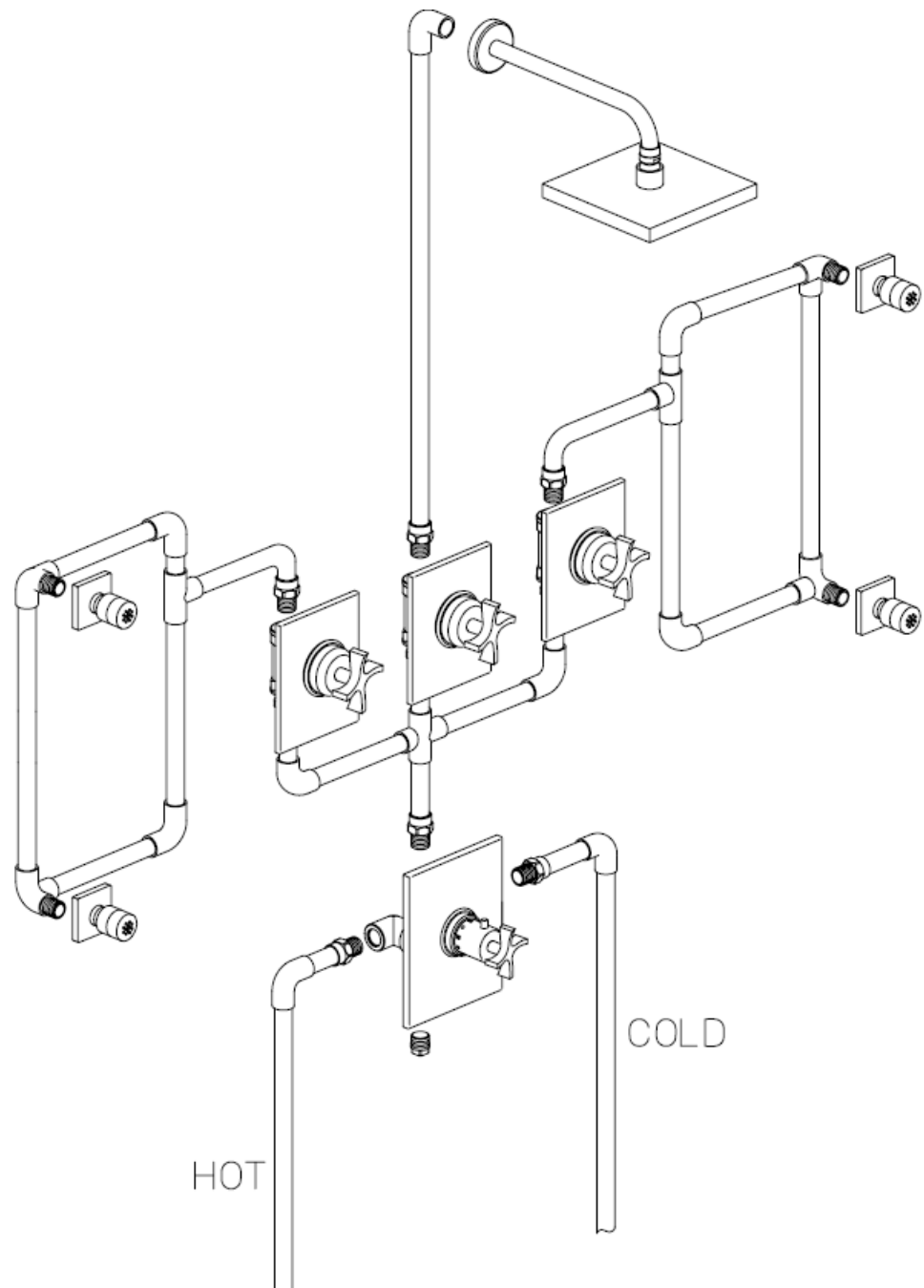


Serie Siena

85KIT07

Shower Kit 07



Serie Scala

8472100

Body Spray

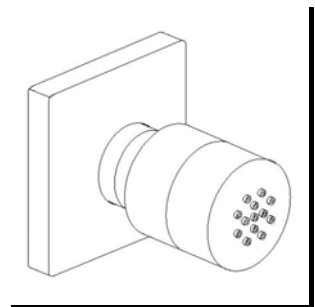
STANDARDS

- Compliant with ASME A112.18.1-B125.1 requirements
- Certified By CSA international

Finishes	8472100PC	8472100BN
Polished Chrome	X	
Brushed Nickel		X

Features	8472100PC	8472100BN
Invigorating Body Jet	X	X
Delivers 2.5gpm at 80psi MAX	X	X
Sprayer features 30° Rotation	X	X
1/2" NPT Inlets	X	X
Self Cleaning Spray Nozzles	X	X
Step-By-Step Installation Instructions	X	X
Limited Lifetime Warranty	X	X

Project: _____
 Contractor: _____



Serie Siena

8571100

Thermostatic Trim Kit for 3/4" Valve

STANDARDS

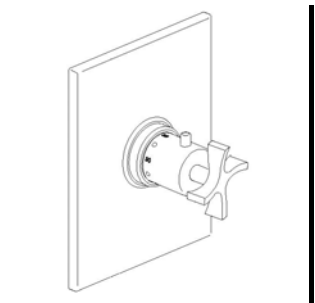
- Compliant with ASME A112.18.1-B125.1
- Compliant with ASSE 1016
- Certified by CSA International

Finishes

	8571100PC	8571100BN
Polished Chrome	X	
Brushed Nickel		X

Features

	8571100PC	8571100BN
Solid Brass Construction	X	X
3/4" Thermostatic Valve featuring Ceramic Discs	X	X
Kit Includes Trim & Thermostatic cartridge	X	X
High Flow Thermostatic Valve Supports Multiple Outlets	X	X
3/4" NPT Inlets	X	X
Safety High Limit Temperature Stop	X	X
Step-By-Step Installation Instructions	X	X
Limited Lifetime Warranty	X	X



Project: _____
 Contractor: _____

Serie Siena

8540200

Trim for 1/2" & 3/4" Volume control

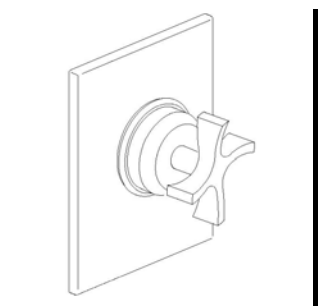
STANDARDS

- Comply with ASME A112.18.1-B125.1 requirements
- Certified By CSA international

Finishes	8540200PC	8540200BN
Polished Chrome	X	
Brushed Nickel		X

Features	8540200PC	8540200BN
Solid Brass Construction	X	X
Ceramic Disc Valving	X	X
3/4" NPT or 1/2" NPT inlet	X	X
Progressive Volume Control	X	X
Kit Includes Trim	X	X
Step-By-Step Installation Instructions	X	X
Limited Lifetime Warranty	X	X

Project: _____
 Contractor: _____



Serie Scala

8475000

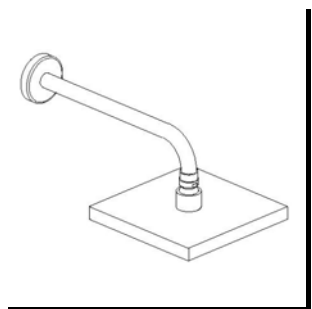
Showerhead Kit

STANDARDS

- Compliant with ASME A112.18.1-B125.1 requirements
- Certified By CSA international

Finishes	8475000PC	8475000BN
Polished Chrome	X	
Brushed Nickel		X

Features	8475000PC	8475000BN
Raincan Showerhead Kit with Matching 12" arm and flange	X	X
Delivers 2.5gpm at 80psi MAX	X	X
Showerhead features Rotating Ball Joint	X	X
1/2" NPT Inlets	X	X
Self Cleaning Spray Nozzles	X	X
Step-By-Step Installation Instructions	X	X
Limited Lifetime Warranty	X	X



Project: _____
 Contractor: _____