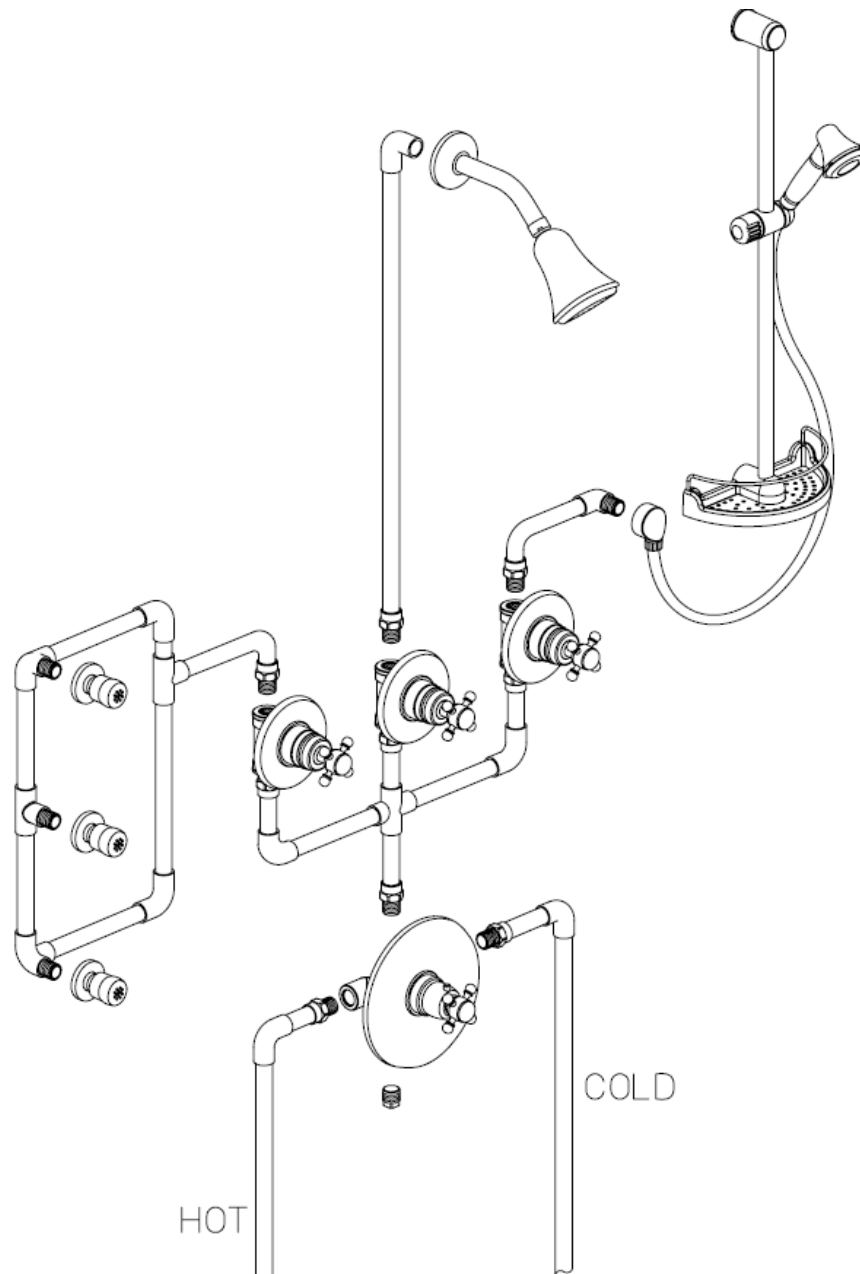


Serie Caffè

88KIT05

Shower kit 05



Serie Caffè

8812400

Adjustable Slidebar Handshower Set

STANDARDS

- Compliant with ASME A112.18.1-B125.1 requirements
- Certified By CSA international

| Finishes | 8812400PC | 8812400BN | 8812400TB |
|-----------------|-----------|-----------|-----------|
| Polished Chrome | X | | |
| Brushed Nickel | | X | |
| Tuscan Bronze | | | X |

| Features | 8812400PC | 8812400BN | 8812400TB |
|--|-----------|-----------|-----------|
| 24" Adjustable Brass Slide Bar | X | X | X |
| Hand Shower with Dual Check Valves | X | X | X |
| Back Flow Prevention System | X | X | X |
| Includes: Hand Shower, Hose, Slide Bar, and Drop Elbow | X | X | X |
| 60" Hose with Matching Finish | X | X | X |
| Self Cleaning Spray Head | X | X | X |
| Step By Step Installation Instructions | X | X | X |
| Limited Lifetime Warranty | X | X | X |



Project: _____
 Contractor: _____

Serie Caffè

8875000

Showerhead Kit

STANDARDS

- Compliant with ASME A112.18.1-B125.1 requirements
- Certified By CSA international

| Finishes | 8875000PC | 8875000BN | 8875000TB |
|-----------------|-----------|-----------|-----------|
| Polished Chrome | X | | |
| Brushed Nickel | | X | |
| Tuscan Bronze | | | X |

| Features | 8875000PC | 8875000BN | 8875000TB |
|--|-----------|-----------|-----------|
| Showerhead Kit with Matching 6" arm and flange | X | X | X |
| Delivers 2.5gpm at 80psi MAX | X | X | X |
| Showerhead features Rotating Ball Joint | X | X | X |
| 1/2" NPT Inlets | X | X | X |
| Self Cleaning Spray Nozzles | X | X | X |
| Step-By-Step Installation Instructions | X | X | X |
| Limited Lifetime Warranty | X | X | X |



Project: _____
 Contractor: _____

Serie Caffè

8872100

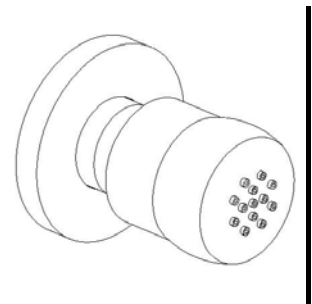
Body Spray

STANDARDS

- Compliant with ASME A112.18.1-B125.1 requirements
- Certified By CSA international

| Finishes | 8872100PC | 8872100BN | 8872100TB |
|-----------------|-----------|-----------|-----------|
| Polished Chrome | X | | |
| Brushed Nickel | | X | |
| Tuscan Bronze | | | X |

| Features | 8872100PC | 8872100BN | 8872100TB |
|--|-----------|-----------|-----------|
| Invigorating Body Jet | X | X | X |
| Delivers 2.5gpm at 80psi MAX | X | X | X |
| Sprayer features 30° Rotation | X | X | X |
| 1/2" NPT Inlets | X | X | X |
| Self Cleaning Spray Nozzles | X | X | X |
| Step-By-Step Installation Instructions | X | X | X |
| Limited Lifetime Warranty | X | X | X |



Project: _____
 Contractor: _____

Serie Caffè

8871100

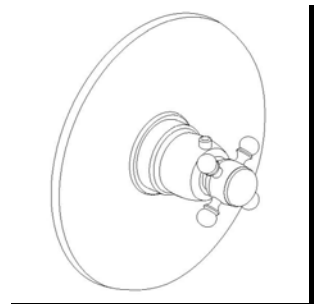
Thermostatic Trim Kit for 3/4" Valve

STANDARDS

- Compliant with ASME A112.18.1-B125.1
- Compliant with ASSE 1016
- Certified by CSA International

| Finishes | 8871100PC | 8871100BN | 8871100TB |
|-----------------|-----------|-----------|-----------|
| Polished Chrome | X | | |
| Brushed Nickel | | X | |
| Tuscan Bronze | | | X |

| Features | 8871100PC | 8871100BN | 8871100TB |
|--|-----------|-----------|-----------|
| Solid Brass Construction | X | X | X |
| 3/4" Thermostatic Valve featuring Ceramic Discs | X | X | X |
| Kit Includes Trim & Thermostatic cartridge | X | X | X |
| High Flow Thermostatic Valve Supports Multiple Outlets | X | X | X |
| 3/4" NPT Inlets | X | X | X |
| Safety High Limit Temperature Stop | X | X | X |
| Step-By-Step Installation Instructions | X | X | X |
| Limited Lifetime Warranty | X | X | X |



Project: _____
 Contractor: _____

Serie Caffè

8840200

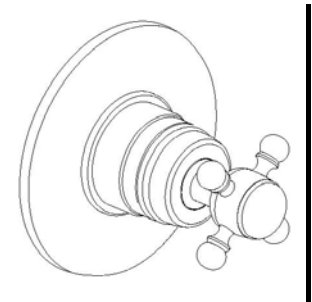
Trim for ½" & ¾" Volume control

STANDARDS

- Compliant with ASME A112.18.1-B125.1 requirements
- Certified By CSA international

| Finishes | 8840200PC | 8840200BN | 8840200TB |
|-----------------|-----------|-----------|-----------|
| Polished Chrome | X | | |
| Brushed Nickel | | X | |
| Tuscan Bronze | | | X |

| Features | 8840200PC | 8840200BN | 8840200TB |
|--|-----------|-----------|-----------|
| Solid Brass Construction | X | X | X |
| Ceramic Disc Valving | X | X | X |
| ¾" NPT or ½" NPT inlet | X | X | X |
| Progressive Volume Control | X | X | X |
| Kit Includes Trim | X | X | X |
| Step-By-Step Installation Instructions | X | X | X |
| Limited Lifetime Warranty | X | X | X |



Project: _____
 Contractor: _____