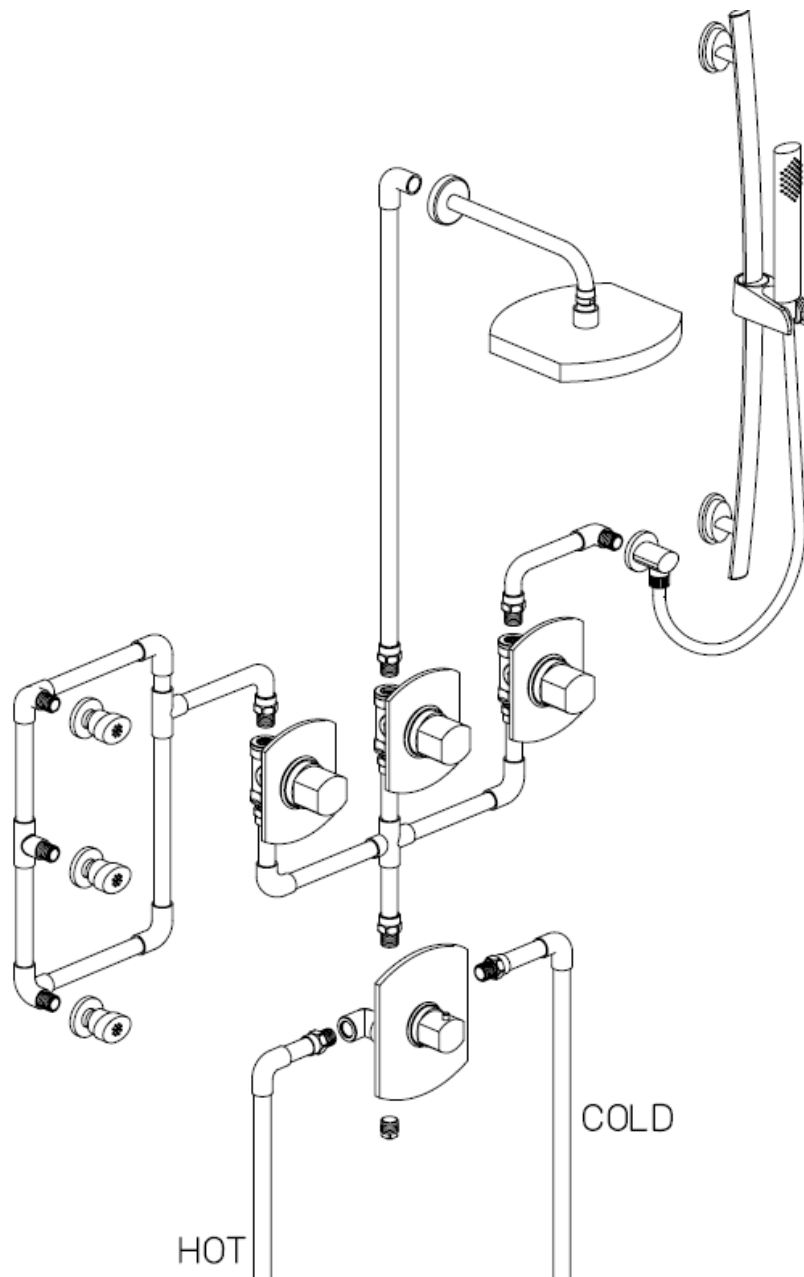


## Serie San Marco

89KIT05

Shower Kit 05



## Serie San Marco

### 8912900

#### Adjustable Slidebar Handshower Set

### STANDARDS

- Compliant with ASME A112.18.1-B125.1 requirements
- Certified By CSA international

<b>Finishes</b>	8912900PC	8912900BN	8912900TB
Polished Chrome	X		
Brushed Nickel		X	
Tuscan Bronze			X

<b>Features</b>	8912900PC	8912900BN	8912900TB
24" Adjustable Brass Slide Bar	X	X	X
Hand Shower with Dual Check Valves	X	X	X
Back Flow Prevention System	X	X	X
Includes: Hand Shower, Hose, Slide Bar, and Drop Elbow	X	X	X
60" Hose with Matching Finish	X	X	X
Self Cleaning Spray Head	X	X	X
Step By Step Installation Instructions	X	X	X
Limited Lifetime Warranty	X	X	X

Project: \_\_\_\_\_

Contractor: \_\_\_\_\_



## Serie San Marco

8975000

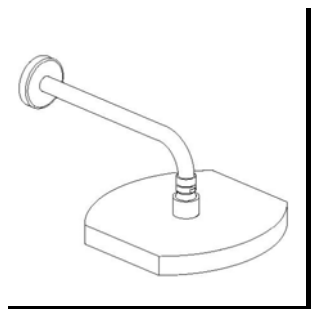
Showerhead Kit

### STANDARDS

- Compliant with ASME A112.18.1-B125.1
- Certified by CSA International

<b>Finishes</b>	8975000PC	8975000BN	8975000TB
Polished Chrome	X		
Brushed Nickel		X	
Tuscan Bronze			X

<b>Features</b>	8975000PC	8975000BN	8975000TB
Raincan Showerhead Kit with Matching 12" arm and flange	X	X	X
Delivers 2.5gpm at 80psi MAX	X	X	X
Showerhead features Rotating Ball Joint	X	X	X
1/2" NPT Inlets	X	X	X
Self Cleaning Spray Nozzles	X	X	X
Step-By-Step Installation Instructions	X	X	X
Limited Lifetime Warranty	X	X	X



Project: \_\_\_\_\_  
 Contractor: \_\_\_\_\_

## Serie San Marco

8972100

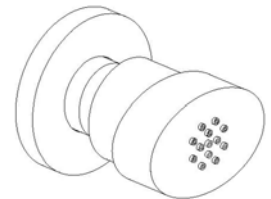
Body Spray

### STANDARDS

- Compliant with ASME A112.18.1-B125.1
- Certified by CSA International

<b>Finishes</b>	8972100PC	8972100BN	8972100TB
Polished Chrome	X		
Brushed Nickel		X	
Tuscan Bronze			X

<b>Features</b>	8972100PC	8972100BN	8972100TB
Invigorating Body Jet	X	X	X
Delivers 2.5gpm at 80psi MAX	X	X	X
Sprayer features 30° Rotation	X	X	X
1/2" NPT Inlets	X	X	X
Self Cleaning Spray Nozzles	X	X	X
Step-By-Step Installation Instructions	X	X	X
Limited Lifetime Warranty	X	X	X



Project: \_\_\_\_\_  
 Contractor: \_\_\_\_\_

## Serie San Marco

### 8971100

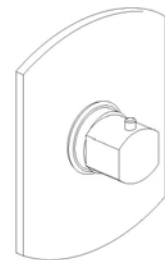
Thermostatic Trim Kit for 3/4" Valve

### STANDARDS

- Compliant with ASME A112.18.1-B125.1
- Compliant with ASSE 1016
- Certified by CSA International

<b>Finishes</b>	8971100PC	8971100BN	8971100TB
Polished Chrome	X		
Brushed Nickel		X	
Tuscan Bronze			X

<b>Features</b>	8971100PC	8971100BN	8971100TB
Solid Brass Construction	X	X	X
3/4" Thermostatic Valve featuring Ceramic Discs	X	X	X
Kit Includes Trim & Thermostatic cartridge	X	X	X
High Flow Thermostatic Valve Supports Multiple Outlets	X	X	X
3/4" NPT Inlets	X	X	X
Safety High Limit Temperature Stop	X	X	X
Step-By-Step Installation Instructions	X	X	X
Limited Lifetime Warranty	X	X	X



Project: \_\_\_\_\_

Contractor: \_\_\_\_\_

## Serie San Marco

8940200

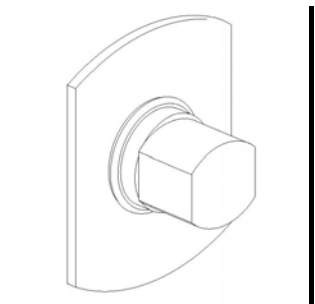
Trim for 1/2" & 3/4" Volume control

### STANDARDS

- Compliant with ASME A112.18.1-B125.1 requirements
- Certified By CSA international

<b>Finishes</b>	8940200PC	8940200BN	8940200TB
Polished Chrome	X		
Brushed Nickel		X	
Tuscan Bronze			X

<b>Features</b>	8940200PC	8940200BN	8940200TB
Solid Brass Construction	X	X	X
Ceramic Disc Valving	X	X	X
3/4" NPT or 1/2" NPT inlet	X	X	X
Progressive Volume Control	X	X	X
Kit Includes Trim	X	X	X
Step-By-Step Installation Instructions	X	X	X
Limited Lifetime Warranty	X	X	X



Project: \_\_\_\_\_  
 Contractor: \_\_\_\_\_