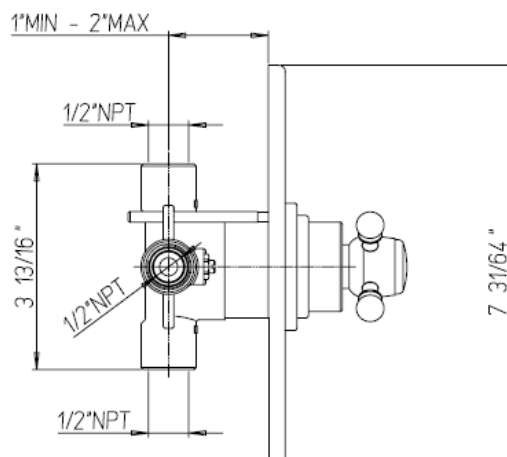
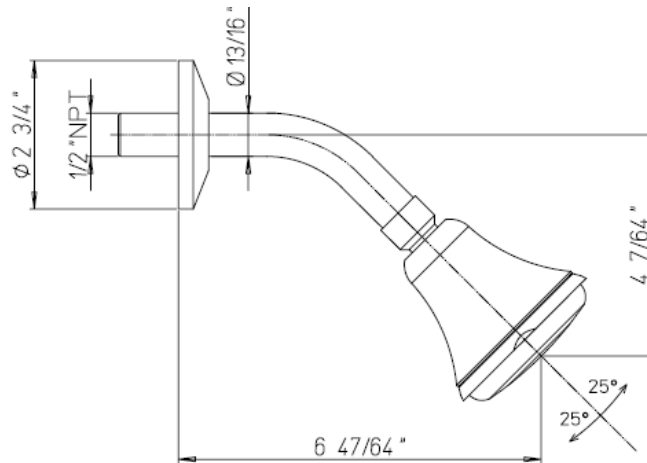


INSTALLATION DIMENSIONS

Serie Caffè

8869700

Pressure Balance Shower Trim only



1-877-55-FORTIS (36784)

19701 Da Vinci
Lake Forest, CA 92610

WWW.FORTISFAUCET.COM

FORTIS.
PURO DESIGN ITALIANO

Serie Caffè

8869700

Pressure Balance Shower Trim only

STANDARDS

- Compliant with ASME A112.18.1-B125.1
- Compliant with ASSE 1016
- Certified by CSA International

Finishes	8869700PC	8869700BN	8869700TB
Polished Chrome	X		
Brushed Nickel		X	
Tuscan Bronze			X

Features	8869700PC	8869700BN	8869700TB
Pressure Balance Shower Trim	X	X	X
Includes pressure balance cartridge	X	X	X
1/2" Pressure Balance Valve featuring Ceramic Discs	X	X	X
Shower Only Kit	X	X	X
1/2" NPT Inlets	X	X	X
ADA Compliant	X	X	X
Step-By-Step Installation Instructions	X	X	X
Limited Lifetime Warranty	X	X	X

Project: _____
 Contractor: _____

