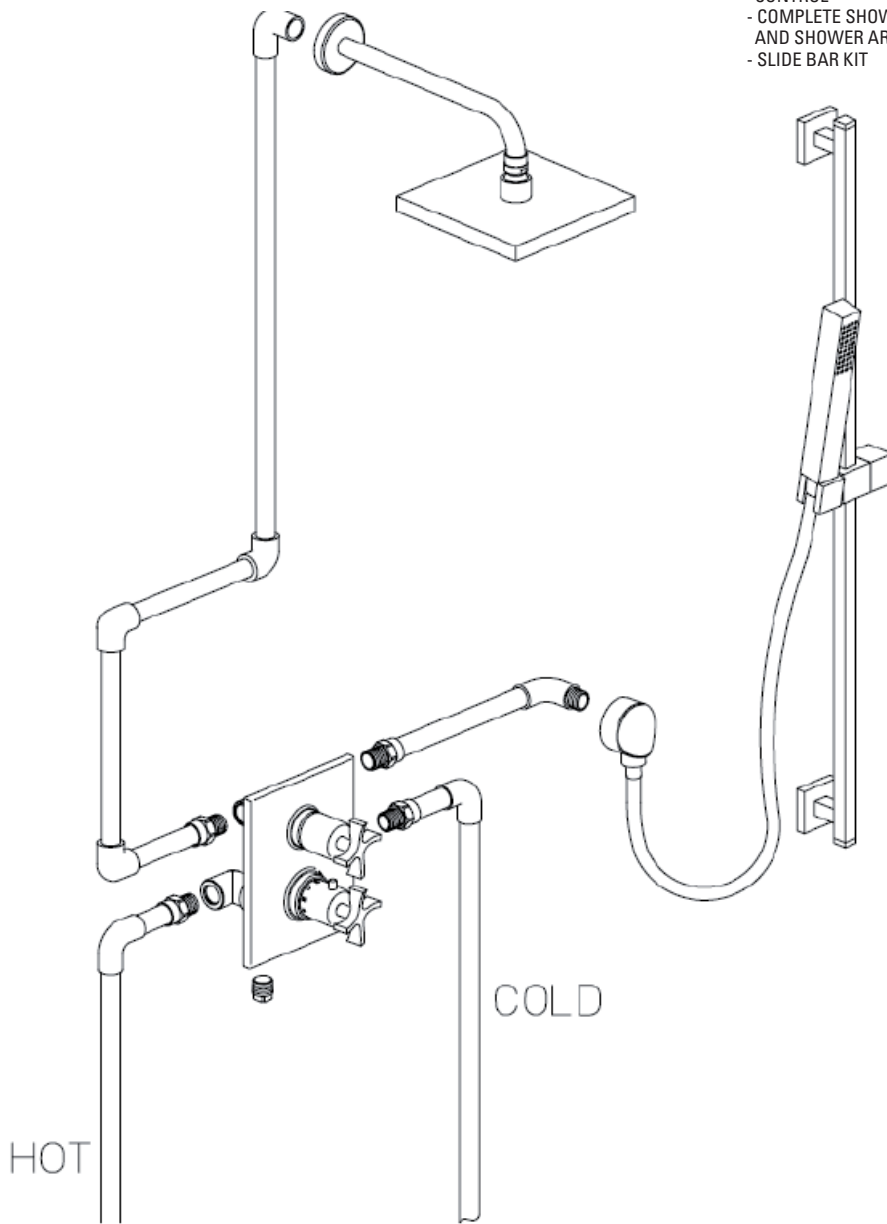


Serie Siena

85KIT04

Shower kit 04

description	model #	c. qty
½" THERMO SHOWER SET WITH SLIDE BAR AND SHOWER HEAD	85KIT04	
- ½" THERMO VALVE W/DIVERTER AND VOLUME CONTROL	8569100	1
- COMPLETE SHOWER HEAD AND SHOWER ARM	8475000	1
- SLIDE BAR KIT	8412900	1



1-877-55-FORTIS (36784)

19701 Da Vinci
Lake Forest, CA 92610

WWW.FORTISFAUCET.COM

FORTIS
FURO DESIGN ITALIANO