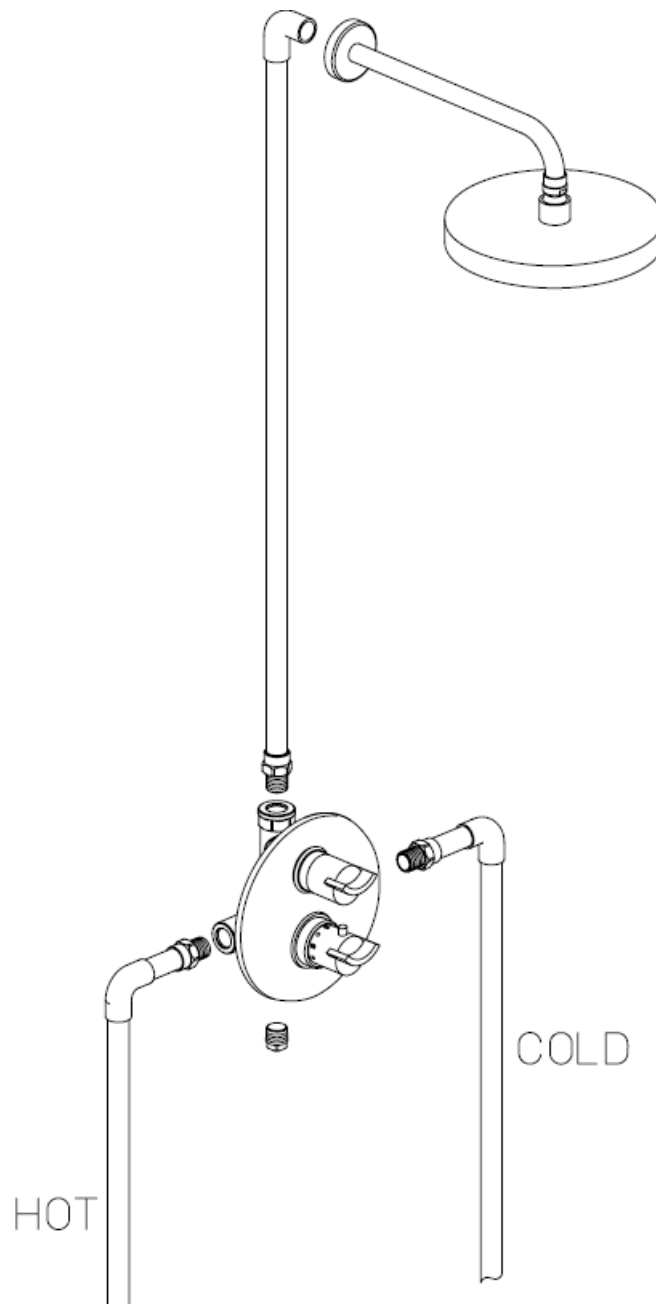

INSTALLATION DIMENSIONS

Serie Roma

73KIT01

Shower Kit 01



1-877-55-FORTIS (36784)

19701 Da Vinci
Lake Forest, CA 92610

WWW.FORTISFAUCET.COM

FORTIS.
PURO DESIGN ITALIANO

Serie Roma

7369000

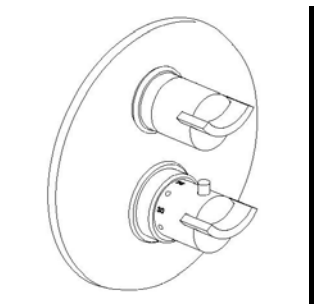
1/2" Thermostatic Valve with Volume Control
Trim only

STANDARDS

- Compliant with ASME A112.18.1-B125.1
- Compliant with ASSE 1016
- Certified by CSA International

Finishes	7369000PC	7369000BN
Polished Chrome	X	
Brushed Nickel		X

Features	7369000PC	7369000BN
Solid Brass Construction	X	X
1/2" Stacked Thermostatic Valve Featuring Ceramic Discs	X	X
High Flow Valve Supports Multiple Outlets	X	X
Kit Includes Trim and Thermostatic cartridge	X	X
1/2" NPT Inlets	X	X
Progressive Volume Control	X	X
Independent Temperature Control	X	X
Step-By-Step Installation Instructions	X	X
Limited Lifetime Warranty	X	X



Project: _____
Contractor: _____

Serie Milano

7875000

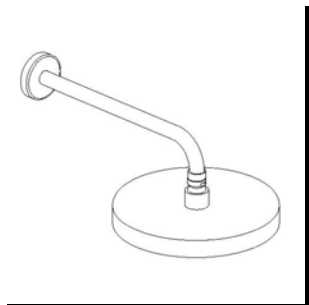
Showerhead Kit

STANDARDS

- Compliant with ASME A112.18.1-B125.1
- Certified by CSA International

Finishes	7875000PC	7875000BN
Polished Chrome	X	
Brushed Nickel		X

Features	7875000PC	7875000BN
Raincan Showerhead Kit with Matching 12" arm and flange	X	X
Delivers 2.5gpm at 80psi MAX	X	X
Showerhead features Rotating Ball Joint	X	X
1/2" NPT Inlets	X	X
Self Cleaning Spray Nozzles	X	X
Step-By-Step Installation Instructions	X	X
Limited Lifetime Warranty	X	X



Project: _____
 Contractor: _____