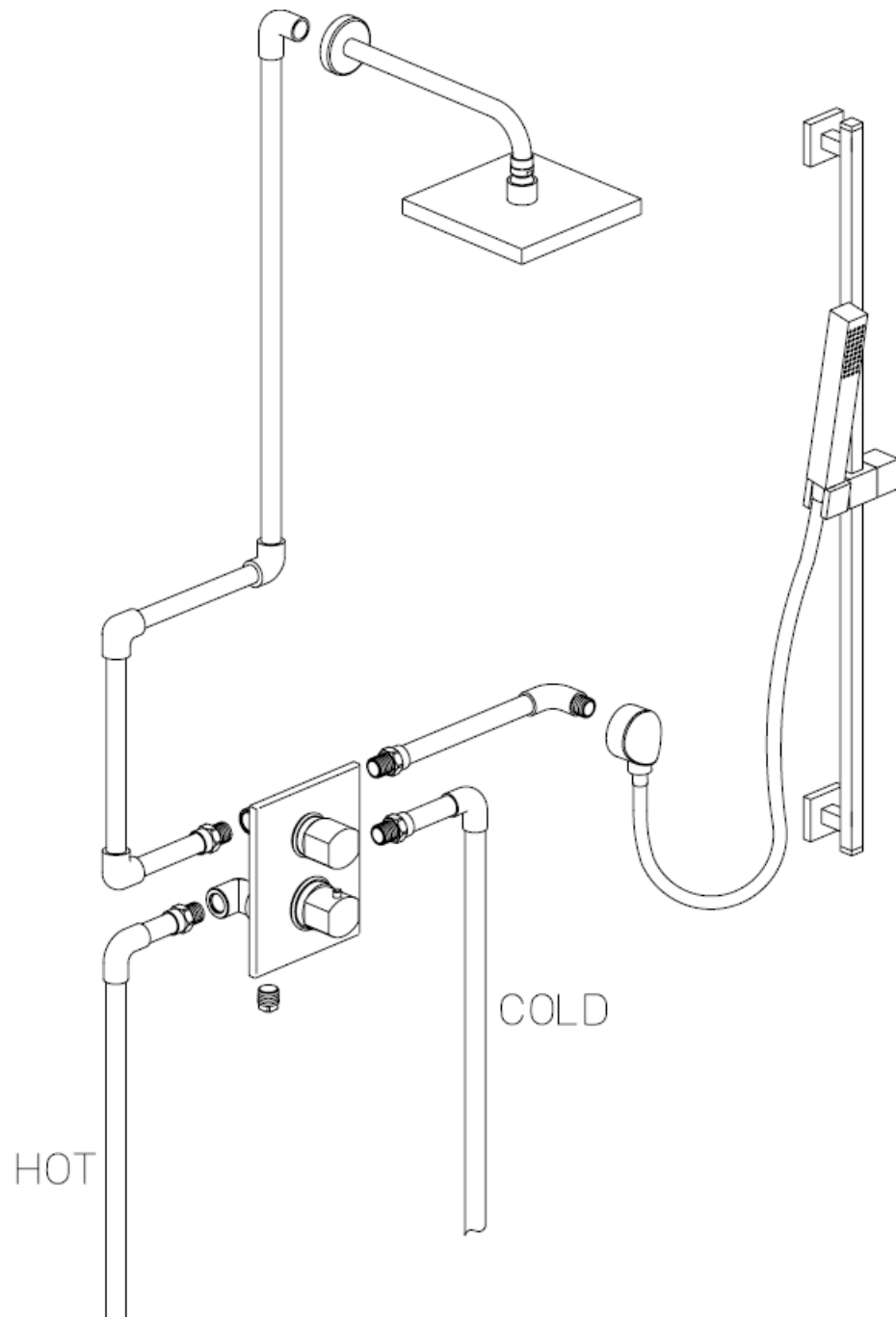


INSTALLATION DIMENSIONS

Serie Scala

84KIT04

Shower Kit 04



1-877-55-FORTIS (36784)

19701 Da Vinci
Lake Forest, CA 92610

WWW.FORTISFAUCET.COM

FORTIS.
PURO DESIGN ITALIANO

Serie Scala

8412900

Adjustable Slidebar Handshower Set

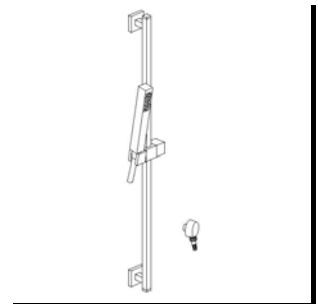
STANDARDS

- Compliant with ASME A112.18.1-B125.1 requirements
- Certified By CSA international

| Finishes | 8412900PC | 8412900BN |
|-----------------|-----------|-----------|
| Polished Chrome | X | |
| Brushed Nickel | | X |

| Features | 8412900PC | 8412900BN |
|--|-----------|-----------|
| 24" Adjustable Brass Slide Bar | X | X |
| Hand Shower with Dual Check Valves | X | X |
| Back Flow Prevention System | X | X |
| Includes: Hand Shower, Hose, Slide Bar, and Drop Elbow | X | X |
| 60" Hose with Matching Finish | X | X |
| Self Cleaning Spray Head | X | X |
| Step By Step Installation Instructions | X | X |
| Limited Lifetime Warranty | X | X |

Project: _____
 Contractor: _____



Serie Scala

8475000

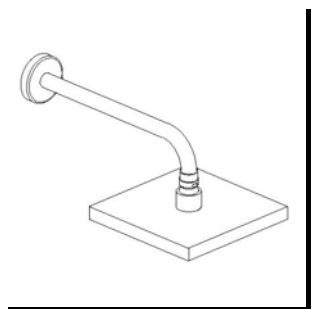
Showerhead Kit

STANDARDS

- Compliant with ASME A112.18.1-B125.1 requirements
- Certified By CSA international

| Finishes | 8475000PC | 8475000BN |
|-----------------|-----------|-----------|
| Polished Chrome | X | |
| Brushed Nickel | | X |

| Features | 8475000PC | 8475000BN |
|---|-----------|-----------|
| Raincan Showerhead Kit with Matching 12" arm and flange | X | X |
| Delivers 2.5gpm at 80psi MAX | X | X |
| Showerhead features Rotating Ball Joint | X | X |
| 1/2" NPT Inlets | X | X |
| Self Cleaning Spray Nozzles | X | X |
| Step-By-Step Installation Instructions | X | X |
| Limited Lifetime Warranty | X | X |



Project: _____
 Contractor: _____

Serie Scala

8469100

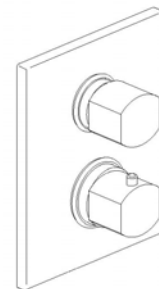
1/2" Thermostatic Valve with
Diverter & Volume Ctrl trim only

STANDARDS

- Compliant with ASME A112.18.1-B125.1
- Compliant with ASSE 1016
- Certified by CSA International

| Finishes | 8469100PC | 8469100BN |
|-----------------|-----------|-----------|
| Polished Chrome | X | |
| Brushed Nickel | | X |

| Features | 8469100PC | 8469100BN |
|---|-----------|-----------|
| Solid Brass Construction | X | X |
| 1/2" Stacked Thermostatic Valve Featuring Ceramic Discs | X | X |
| High Flow Valve Supports Multiple Outlets | X | X |
| Kit Includes Trim & Thermostatic cartridge | X | X |
| 1/2" NPT Inlets | X | X |
| Diverter with Progressive Volume Control | X | X |
| Independent Temperature Control | X | X |
| Step-By-Step Installation Instructions | X | X |
| Limited Lifetime Warranty | X | X |



Project: _____
Contractor: _____