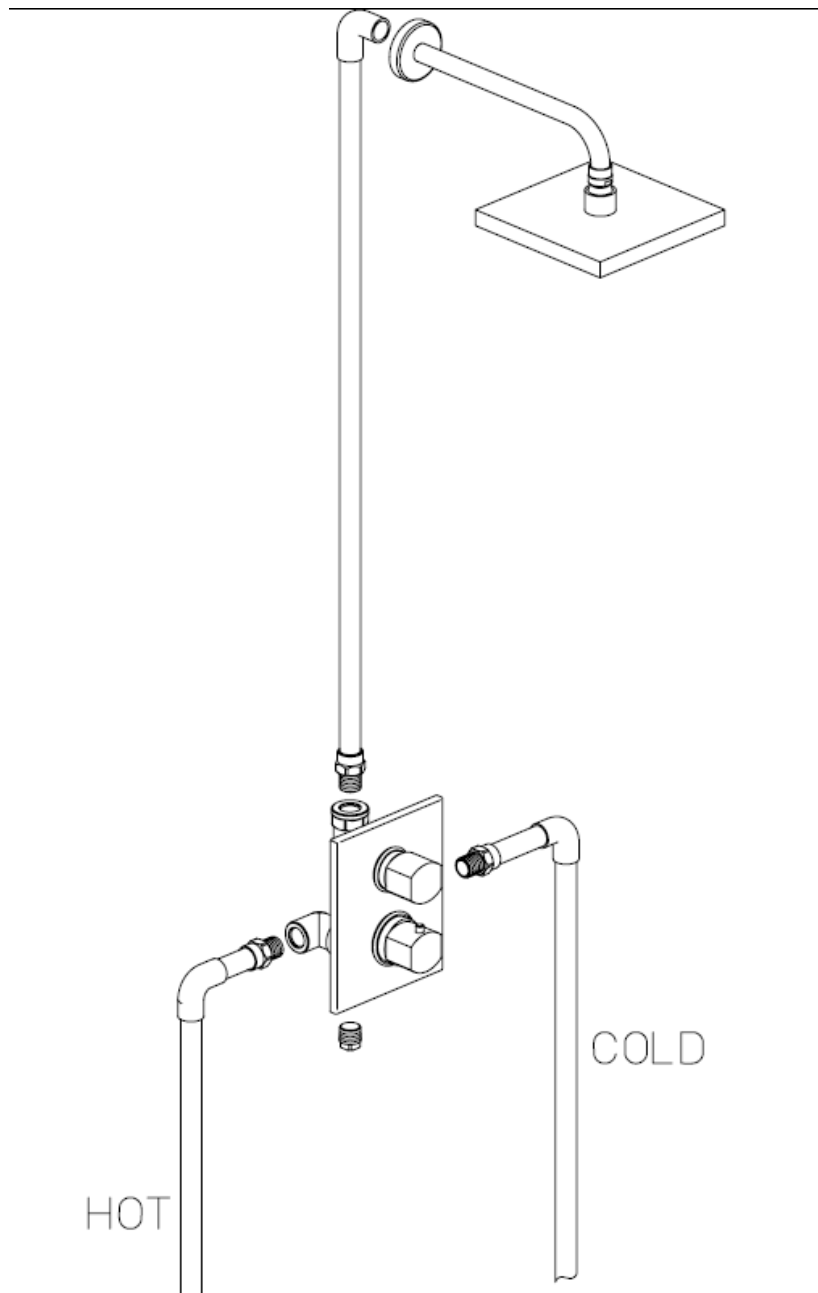

INSTALLATION DIMENSIONS

Serie Scala

84KIT01

Shower Kit 01



Serie Scala

8469000

1/2" Thermostatic Valve with
Volume Control trim only

• STANDARDS

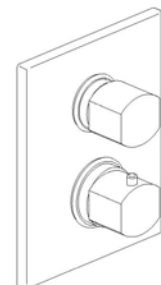
- Compliant with ASME A112.18.1-B125.1
- Compliant with ASSE 1016
- Certified by CSA International
- Compliant with ANSI A117.1 (Lever only)

Finishes

	8469000PC	8469000BN
Polished Chrome	X	
Brushed Nickel		X

Features

	8469000PC	8469000BN
Solid Brass Construction	X	X
1/2" Stacked Thermostatic Valve Featuring Ceramic Discs	X	X
High Flow Valve Supports Multiple Outlets	X	X
Kit Includes Trim & Thermostatic cartridge	X	X
1/2" NPT Inlets	X	X
Progressive Volume Control	X	X
Independent Temperature Control	X	X
Step-By-Step Installation Instructions	X	X
Limited Lifetime Warranty	X	X



Project: _____
Contractor: _____

Serie Scala

8475000

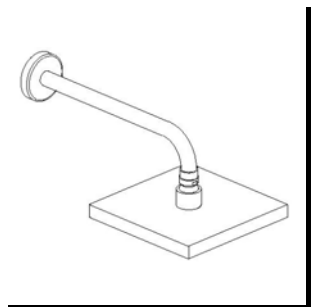
Showerhead Kit

STANDARDS

- Compliant with ASME A112.18.1-B125.1 requirements
- Certified By CSA international

Finishes	8475000PC	8475000BN
Polished Chrome	X	
Brushed Nickel		X

Features	8475000PC	8475000BN
Raincan Showerhead Kit with Matching 12" arm and flange	X	X
Delivers 2.5gpm at 80psi MAX	X	X
Showerhead features Rotating Ball Joint	X	X
1/2" NPT Inlets	X	X
Self Cleaning Spray Nozzles	X	X
Step-By-Step Installation Instructions	X	X
Limited Lifetime Warranty	X	X



Project: _____
 Contractor: _____