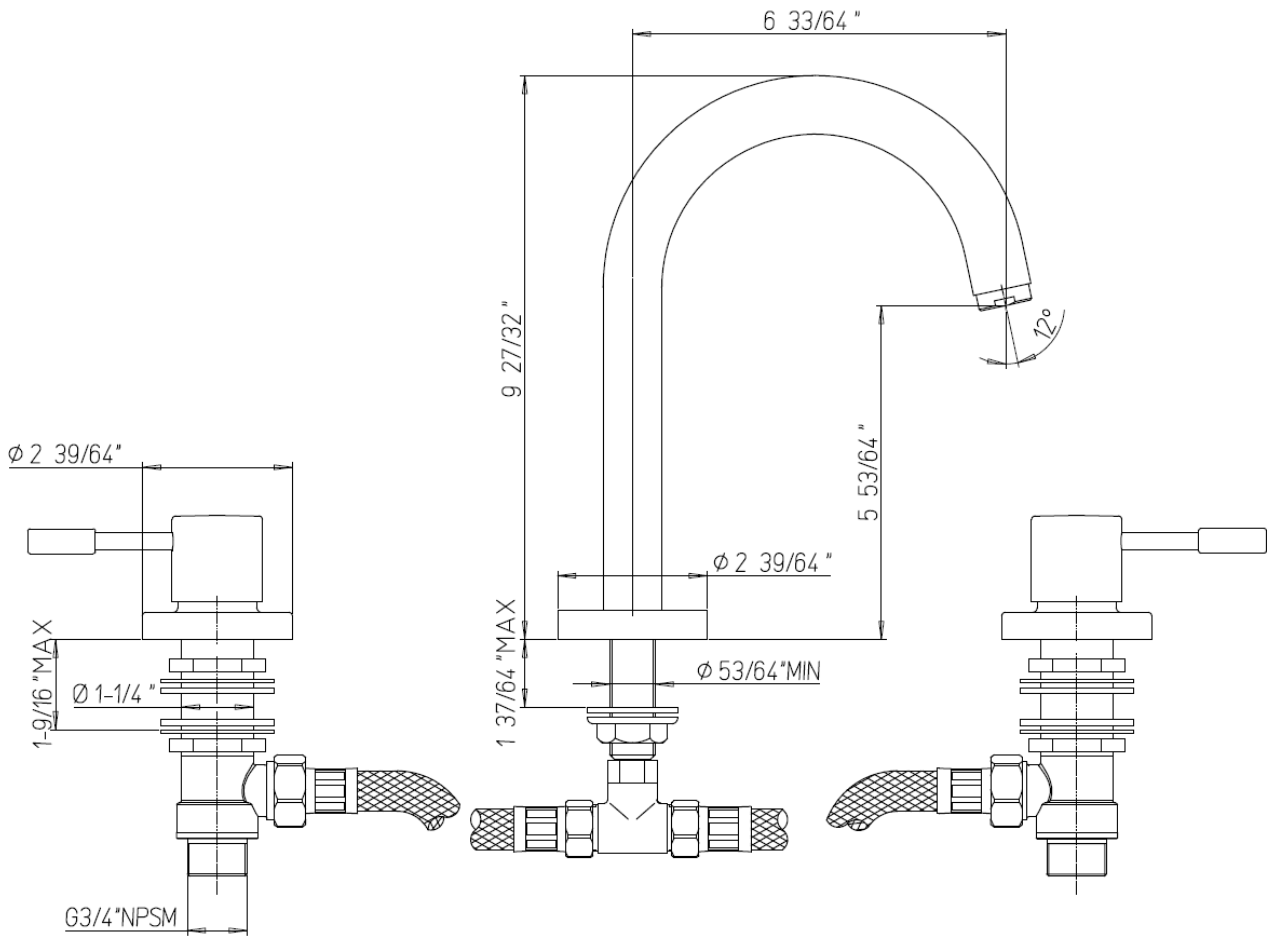


INSTALLATION DIMENSIONS

Serie Milano

7810200

3-Hole Roman Tub Kit



1-877-55-FORTIS (36784)

19701 Da Vinci
Lake Forest, CA 92610

WWW.FORTISFAUCET.COM

FORTIS.
PURO DESIGN ITALIANO

Serie Milano

7810200

3-Hole Roman Tub Kit

STANDARDS

- Comply with ASME A112.18.1-B125.1 requirements
- Certified By CSA international
- ANSI A117.1 (lever handles only)

Finishes	7810200PC	7810200BN
Polished Chrome	X	
Brushed Nickel		X

Features	7810200PC	7810200BN
Solid Brass Construction	X	X
High Flow 3/4" Valves Featuring Ceramic Discs	X	X
Kit Includes Trim and Valve	X	X
Stainless Steel Hoses	X	X
3 Hole Installation	X	X
Step-By-Step Installation Instructions	X	X
ADA Compliant	X	X
Limited Lifetime Warranty	X	X



Project: _____
 Contractor: _____