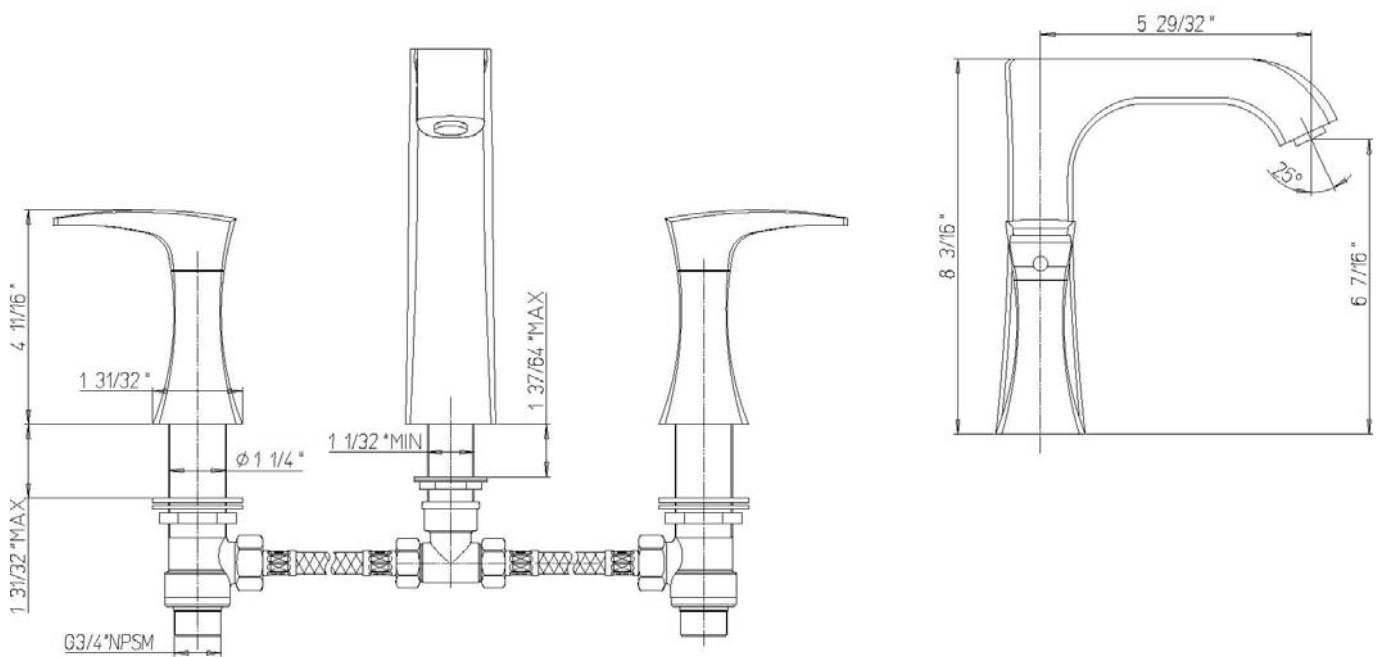


INSTALLATION DIMENSIONS

**Serie San Marco**

8910200

3-Hole Roman Tub Kit



## Serie San Marco

### 8910200

#### 3-Hole Roman Tub Kit

### STANDARDS

- Compliant with ASME A112.18.1-B125.1 requirements
- Certified By CSA international
  
- Compliant with ANSI A117.1 (lever handles only)

<b>Finishes</b>	8910200PC	8910200BN	8910200TB
Polished Chrome	X		
Brushed Nickel		X	
Tuscan Bronze			X

<b>Features</b>	8910200PC	8910200BN	8910200TB
Solid Brass Construction	X	X	X
High Flow 3/4" Valves Featuring Ceramic Discs	X	X	X
Kit Includes Trim and Valve	X	X	X
Stainless Steel Hoses	X	X	X
3 Hole Installation	X	X	X
Step-By-Step Installation Instructions	X	X	X
ADA Compliant	X	X	X
Limited Lifetime Warranty	X	X	X



Project: \_\_\_\_\_  
 Contractor: \_\_\_\_\_