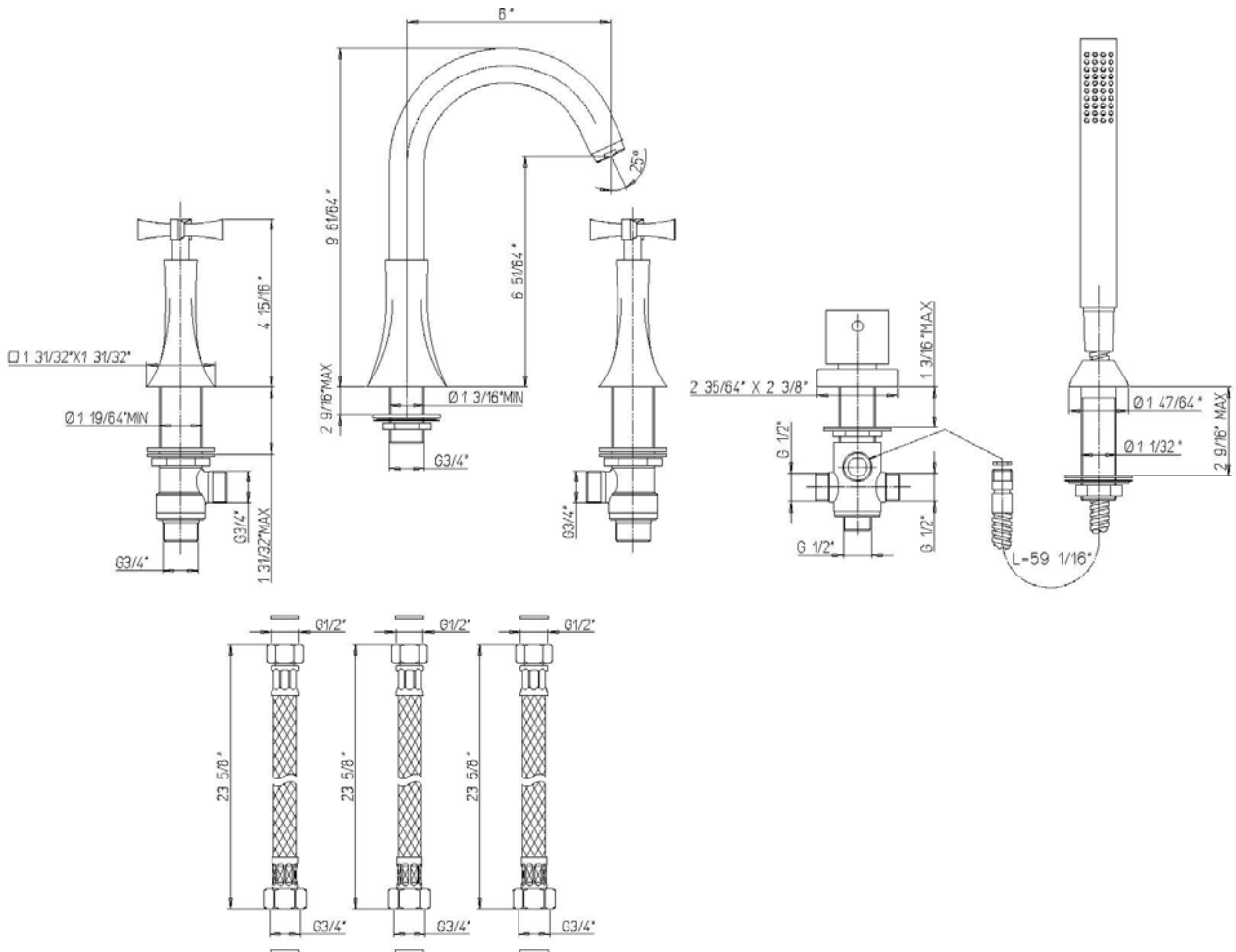


INSTALLATION DIMENSIONS

Serie Siena

8510900

5-Hole Roman Tub Kit



1-877-55-FORTIS (36784)

19701 Da Vinci
Lake Forest, CA 92610

WWW.FORTISFAUCET.COM

FORTIS
FURO DESIGN ITALIANO

Serie Siena

8510900

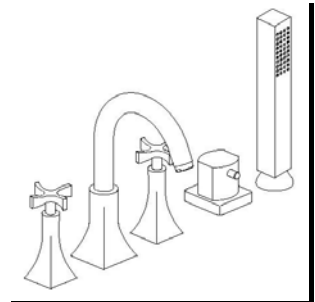
5-Hole Roman Tub Kit

STANDARDS

- Compliant with ASME A112.18.1-B125.1 requirements
- Certified By CSA international

Finishes	8510900PC	8510900BN
Polished Chrome	X	
Brushed Nickel		X

Features	8510900PC	8510900BN
Solid Brass Construction	X	X
High Flow 3/4" Valves Featuring Ceramic Discs	X	X
Kit Includes Trim and Valve	X	X
Stainless Steel Hoses	X	X
5 Hole Installation	X	X
Step-By-Step Installation Instructions	X	X
Limited Lifetime Warranty	X	X



Project: _____

Contractor: _____