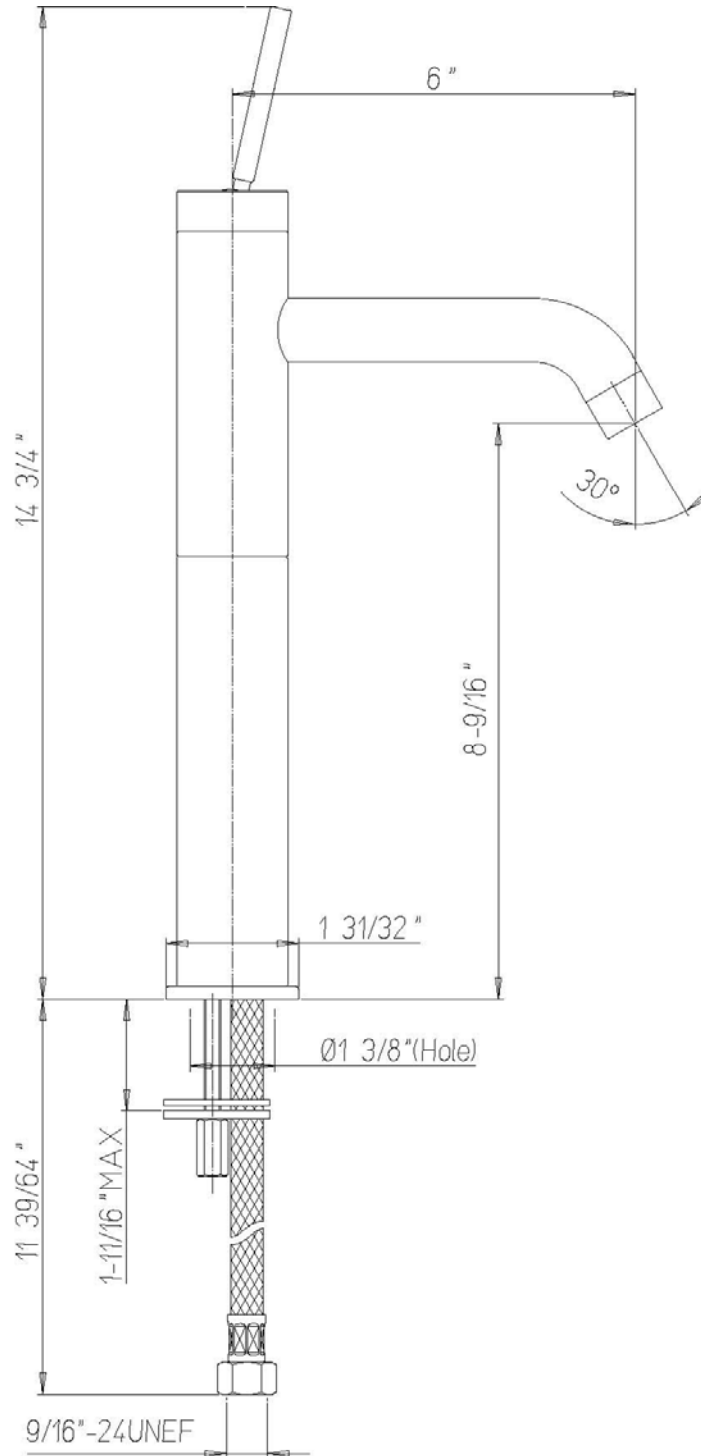


INSTALLATION DIMENSIONS

**Serie Milano**

78205J0

Single Control Vessel Lavatory, Joystick



1-877-55-FORTIS (36784)

19701 Da Vinci  
Lake Forest, CA 92610

WWW.FORTISFAUCET.COM

**FORTIS.**  
FURO DESIGN ITALIANO

## Serie Milano

### 78205J0

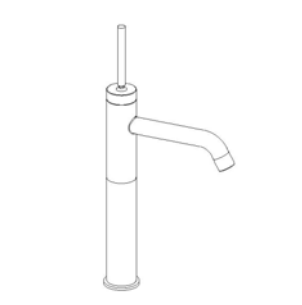
Single Control Vessel Lavatory, Joystick

### STANDARDS

- Compliant with ASME A112.18.1-B125.1
- Compliant with AB1953
- Compliant with EPA Water Sense
- Compliant with ANSI NSF61 – Annex G
- Certified by CSA International
- Compliant with ANSI A117.1

| <b>Finishes</b> | 78205JSPC | 78205JSBN |
|-----------------|-----------|-----------|
| Polished Chrome | X         |           |
| Brushed Nickel  |           | X         |

| <b>Features</b>                                                | 78205JSPC | 78205JSBN |
|----------------------------------------------------------------|-----------|-----------|
| Solid Brass Construction                                       | X         | X         |
| Single Control Ceramic Disc Valve                              | X         | X         |
| Meets NSF 61/9 Annex G Lead Requirements                       | X         | X         |
| Meets EPA Watersense Certification 1.5gpm, 5.7L/Min            | X         | X         |
| ADA Compliant                                                  | X         | X         |
| Less Popup                                                     | X         | X         |
| 1 hole installation. Optional 3-hole deckplate sold separately | X         | X         |
| Step-By-Step Installation Instructions                         | X         | X         |
| Limited Lifetime Warranty                                      | X         | X         |



Project: \_\_\_\_\_  
 Contractor: \_\_\_\_\_