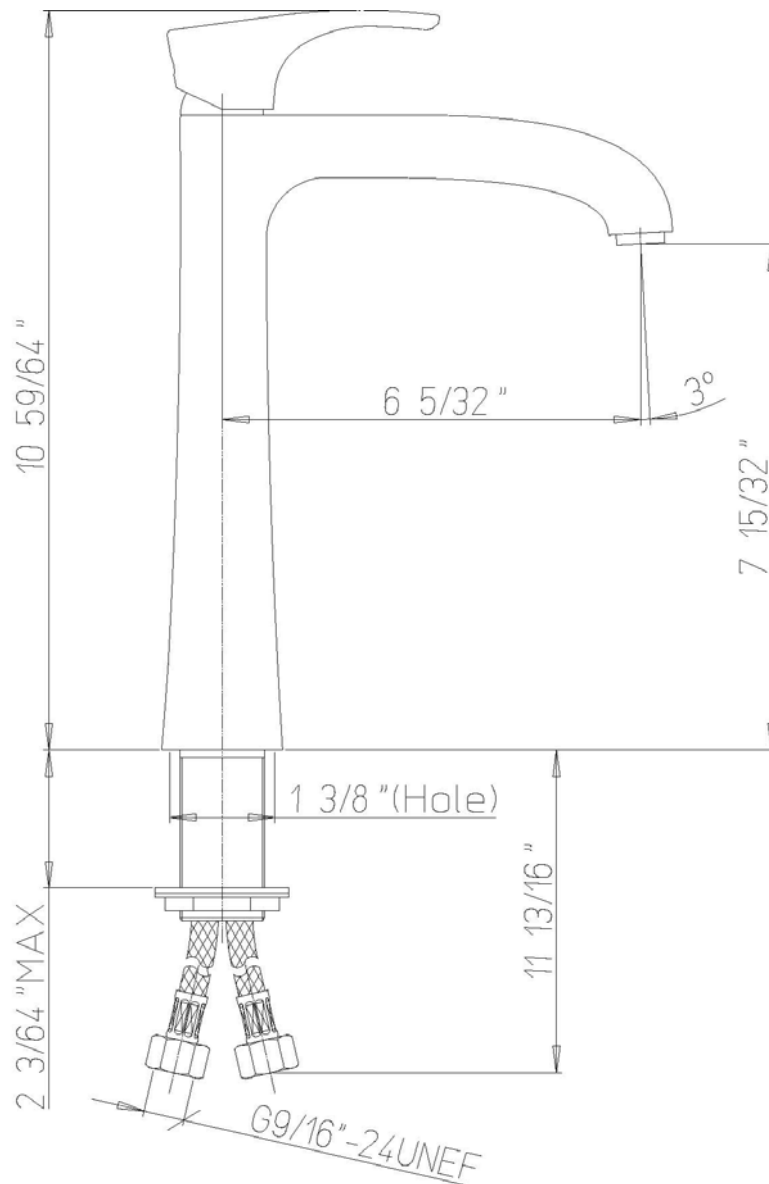


INSTALLATION DIMENSIONS

Serie San Marco

8920500

Single Ctrl Vessel Lavatory Faucet



1-877-55-FORTIS (36784)

19701 Da Vinci
Lake Forest, CA 92610

WWW.FORTISFAUCET.COM

FORTIS.
FURO DESIGN ITALIANO

Serie San Marco

8920500

Single Ctrl Vessel Lavatory Faucet

STANDARDS

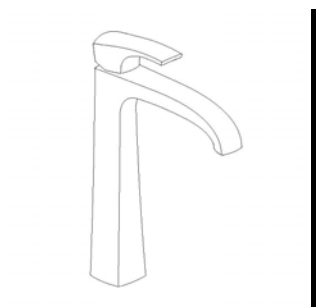
- Compliant with ASME A112.18.1-B125.1
- Compliant with AB1953
- Compliant with EPA Water Sense
- Compliant with ANSI NSF61 – Annex G
- Certified by CSA International
- Compliant with ANSI A117.1

Finishes

	8920500PC	8920500BN	8920500TB
Polished Chrome	X		
Brushed Nickel		X	
Tuscan Bronze			X

Features

	8920500PC	8920500BN	8920500TB
Solid Brass Construction	X	X	X
Single Control Ceramic Disc Valve	X	X	X
Meets NSF 61/9 Annex G Lead Requirements	X	X	X
Meets EPA Watersense Certification 1.5gpm, 5.7L/Min	X	X	X
ADA Compliant	X	X	X
Less Popup	X	X	X
1 hole installation. Optional 3-hole deckplate sold separately	X	X	X
Step-By-Step Installation Instructions	X	X	X
Limited Lifetime Warranty	X	X	X



Project: _____

Contractor: _____