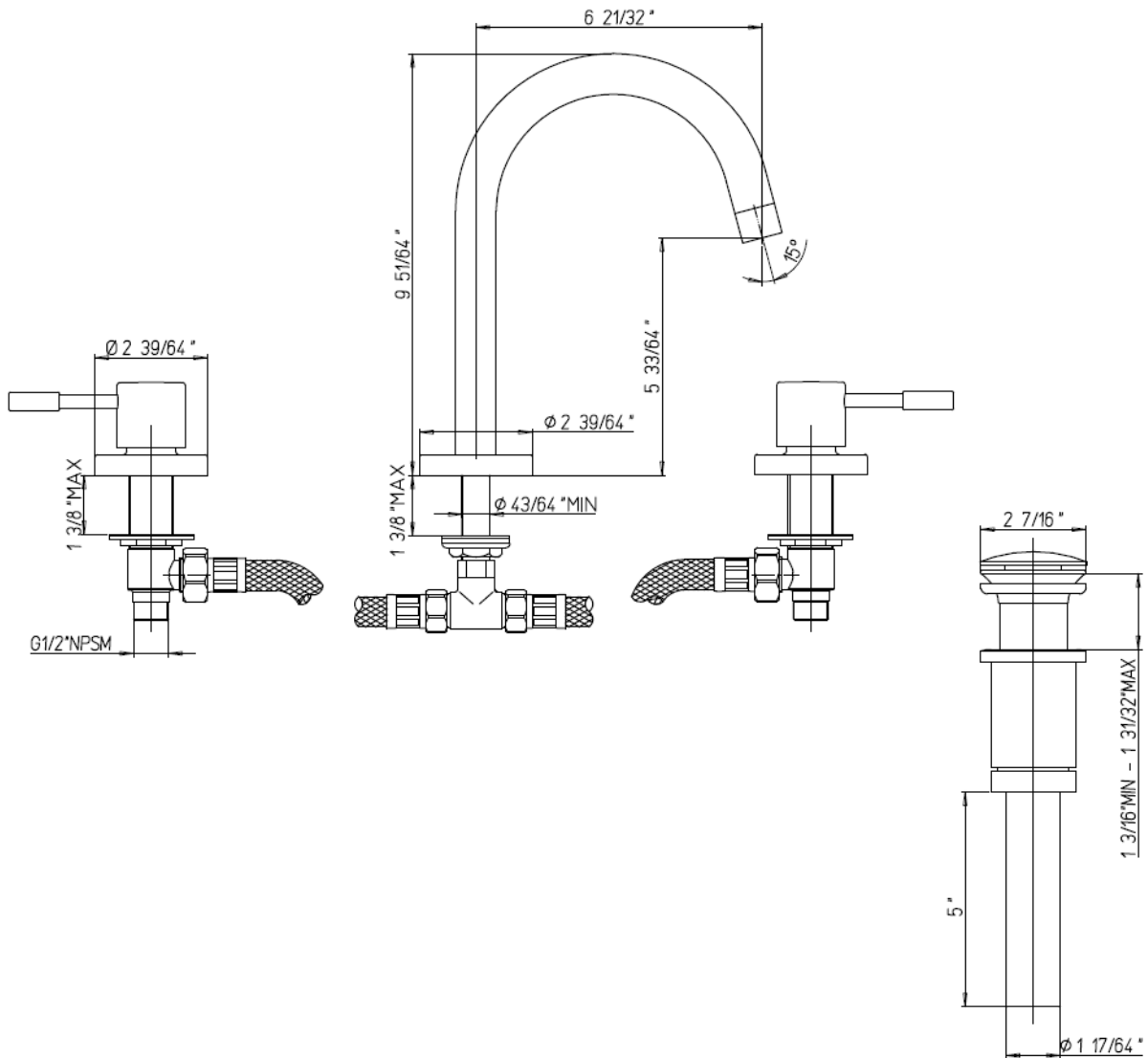


INSTALLATION DIMENSIONS

Serie Milano

7821400

8" Widespread Lavatory



Serie Milano

7821400

8" Widespread Lavatory

STANDARDS

- Compliant with ASME A112.18.1-B125.1
- Compliant with AB1953
- Compliant with EPA Water Sense
- Compliant with ANSI NSF61 – Annex G
- Certified by CSA International
- Compliant with ANSI A117

Finishes

	7821400PC	7821400BN
Polished Chrome	X	
Brushed Nickel		X

Features

	7821400PC	7821400BN
Solid Brass Construction	X	X
¼ Turn Ceramic Disc Valves	X	X
Meets NSF 61/9 Annex G Lead Requirements	X	X
Meets EPA Watersense Certification 1.5gpm, 5.7L/Min	X	X
ADA Compliant	X	X
Metal Pop-up	X	X
3 hole installation	X	X
Step-By-Step Installation Instructions	X	X
Limited Lifetime Warranty	X	X



Project: _____
 Contractor: _____