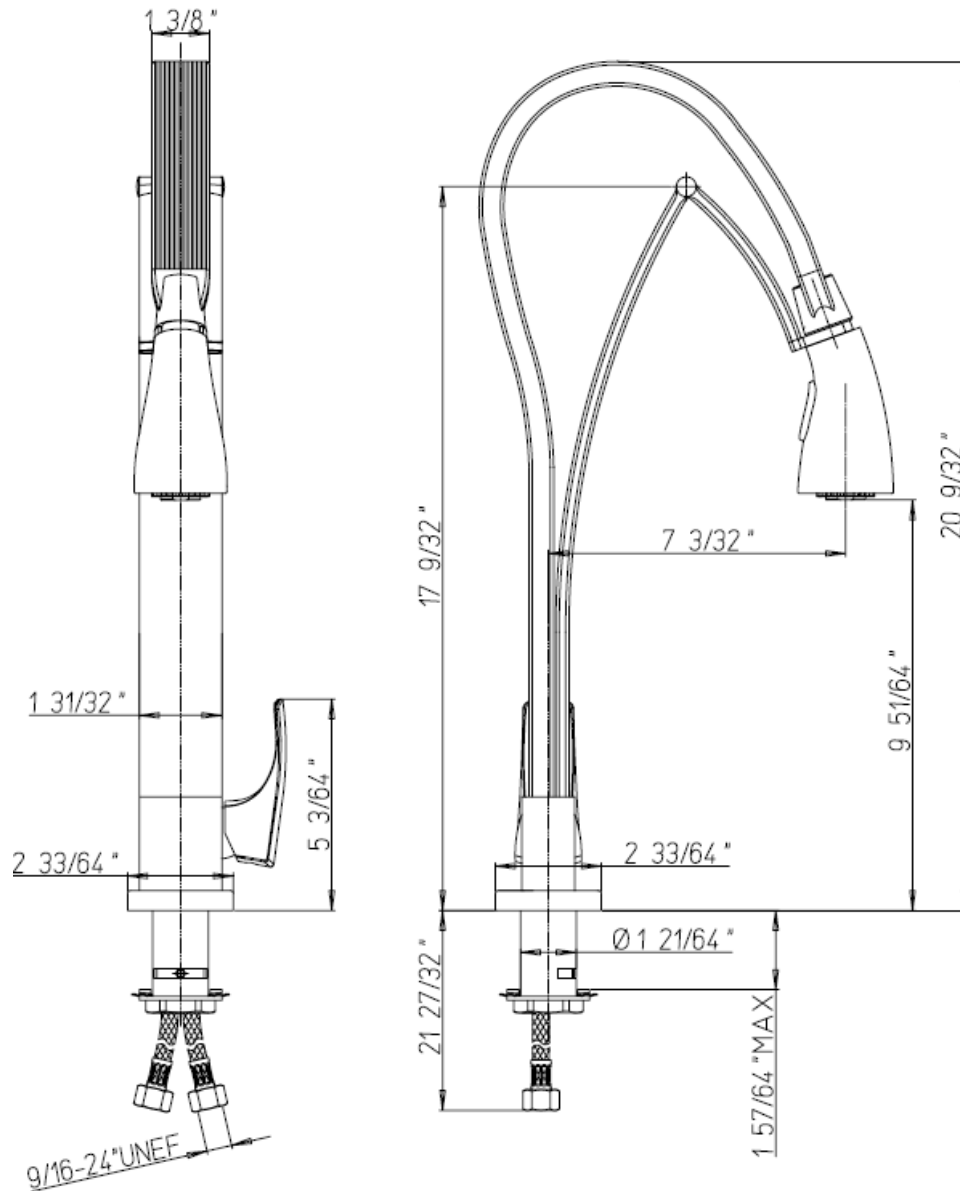


INSTALLATION DIMENSIONS

Kitchen series

5455700

Kitchen faucet with silicon spout



1-877-55-FORTIS (36784)

19701 Da Vinci
Lake Forest, CA 92610

WWW.FORTISFAUCET.COM

FORTIS.
FURO DESIGN ITALIANO

Kitchen series

5455700

Kitchen faucet with silicon spout

STANDARDS

- Compliant with ASME A112.18.1-B125.1
- Compliant with AB1953
- Compliant with ANSI NSF61 – Annex G
- Certified by CSA International
- Compliant with ANSI A117.1

Finishes	5455700PC
Polished Chrome	X
Brushed Nickel	

Features	5455700PC
Solid Brass Construction	X
Single Control Ceramic Disc Valve	X
Meets NSF 61/9 Annex G Lead Requirements	X
ADA Compliant	X
1 hole installation. Optional 3-hole deckplate	X
Step-By-Step Installation Instructions	X
Limited Lifetime Warranty	X



Project: _____
 Contractor: _____