

Kitchen series
78591LL
Hi Arc Pulldown Kitchen

STANDARDS

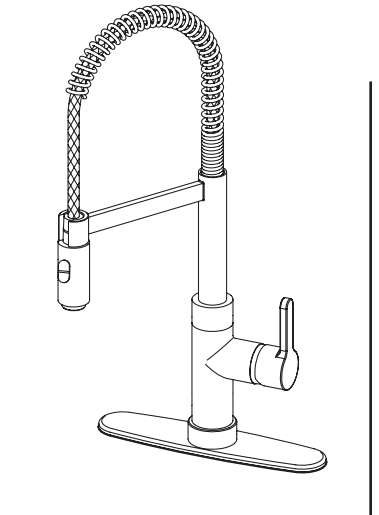
- Compliant with ASME A112.18.1 B125.1
- Compliant with AB1953
- Compliant with ANSI NSF61 – Annex G
- Certified by CSA International
- Compliant with ANSI A117.1
- Max flow rate 1.80 gpm at 60 psi

Finishes

	78591LLPC	78591LLBN
Polished Chrome	X	
Brushed Nickel		X

Features

	78591LLPC	78591LLBN
Solid Brass Construction	X	X
Single Control Ceramic Disc Valve	X	X
Meets NSF 61/9 Annex G Lead Requirements	X	X
ADA Compliant	X	X
1 hole installation. Optional 3-hole deckplate	X	X
Step-By-Step Installation Instructions	X	X
Limited Lifetime Warranty	X	X



Project _____

Contractor _____