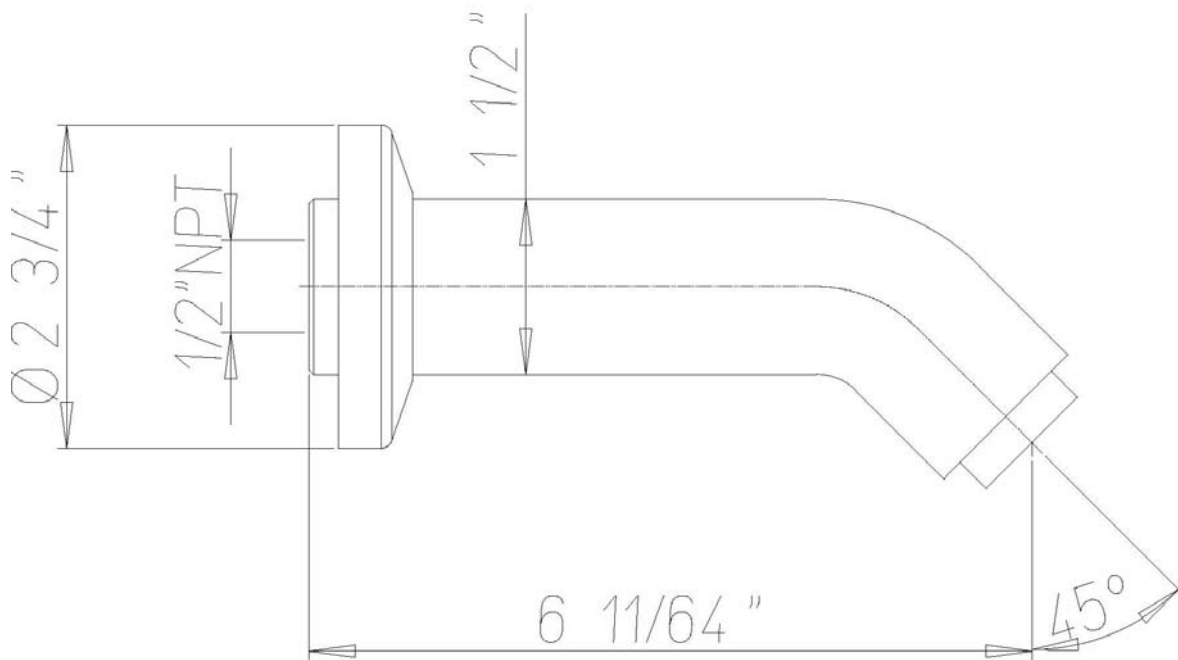


INSTALLATION DIMENSIONS

Serie Milano

7843000

Tub Spout



Serie Milano

7843000

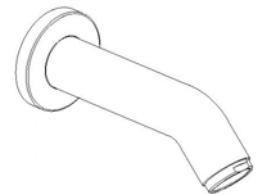
Tub Spout

STANDARDS

- Comply with ASME A112.18.1-B125.1 requirements
- Certified By CSA international

Finishes	7843000PC	7843000BN
Polished Chrome	X	
Brushed Nickel		X

Features	7843000PC	7843000BN
Solid Brass Construction	X	X
½" NPT inlet connector	X	X
Non-Diverting, Polished Tub Spout	X	X
Step by Step Installation Instructions	X	X
Limited Lifetime Warranty	X	X



Project: _____

Contractor: _____